



# Masterpact NT and NW

**Catalogue 2018**

LV power circuit breakers  
and switch-disconnectors



[schneider-electric.com](http://schneider-electric.com)

Life Is On

**Schneider**  
Electric



# Green Premium™

Endorsing eco-friendly products in the industry



## Green Premium™ Product

Green Premium is the only label that allows you to effectively develop and promote an environmental policy whilst preserving your business efficiency. This ecolabel guarantees compliance with up-to-date environmental regulations, but it does more than this.

Over 75% of Schneider Electric manufactured products have been awarded the Green Premium ecolabel



Discover what we mean by green ...

**Check your products!**

Schneider Electric's Green Premium ecolabel is committed to offering transparency, by disclosing extensive and reliable information related to the environmental impact of its products:

### RoHS

Schneider Electric products are subject to RoHS requirements at a worldwide level, even for the many products that are not required to comply with the terms of the regulation. Compliance certificates are available for products that fulfil the criteria of this European initiative, which aims to eliminate hazardous substances.

### REACH

Schneider Electric applies the strict REACH regulation on its products at a worldwide level, and discloses extensive information concerning the presence of SVHC (Substances of Very High Concern) in all of these products.

### PEP: Product Environmental Profile

Schneider Electric publishes complete set of environmental data, including carbon footprint and energy consumption data for each of the lifecycle phases on all of its products, in compliance with the ISO 14025 PEP ecopassport program. PEP is especially useful for monitoring, controlling, saving energy, and/or reducing carbon emissions.

### EoLI: End of Life Instructions

Available at the click of a button, these instructions provide:

- Recyclability rates for Schneider Electric products.
- Guidance to mitigate personnel hazards during the dismantling of products and before recycling operations.
- Parts identification for recycling or for selective treatment, to mitigate environmental hazards/ incompatibility with standard recycling processes.

## Masterpact NT and NW

# The standard for power circuit breakers around the world.

Over the years, other major manufacturers have tried to keep up by developing products incorporating Masterpact's most innovative features, including the breaking principle, modular design and the use of composite materials.

In addition to the traditional features of power circuit breakers (withdrawability, discrimination and low maintenance), Masterpact NT and NW ranges offer built-in communications and metering functions, all in optimised frame sizes.

Masterpact NT and NW incorporate the latest technology to enhance both performance and safety. Easy to install, with user-friendly, intuitive operation and environment-friendly design, Masterpact NT and NW are, quite simply, circuit breakers of their time.



# Covering all your applications

Masterpact meets the needs of all types of LV electrical distribution networks.

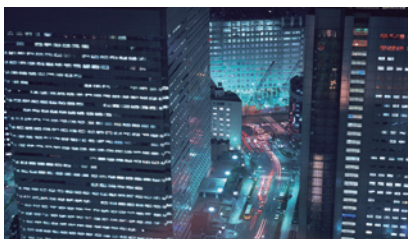


## Building

- > Hotels
- > Hospitals
- > Offices
- > Retail



## Data Centres and Networks



## Industry

- > Mining and minerals
- > Automotive
- > Food and beverage
- > Chemical industry



## Energy and Infrastructures

- > Airports
- > Oil and gas
- > Water
- > Electrical energy
- > Marine

## An answer to specific applications

- > 1000 V for mining applications
- > Direct current networks
- > Corrosion protection
- > Switch-disconnectors and earthing switches
- > Automatic transfer switching equipment (ATSE) for emergency power systems
- > High electrical endurance applications: Masterpact NT H2 is a high performance device offering high breaking capacity (Icu: 50 kA/480 V) and a high level of discrimination, all in a small volume.

## Whenever high short circuit is involved

Masterpact UR is a low voltage ultra rapid opening circuit breaker. Its fault detection rate and its reaction speed mean that it will stop a short circuit from developing. As a result, this is the key component in very high power installations equipped with a number of power sources connected in parallel.

Masterpact UR truly comes into its own when short circuit currents can reach very high levels and when continuity of service is a must: **offshore installations, cement plants, petrochemical industry.** It is also especially suited to electrical installations on board merchant.



## All standards

Different Masterpact offers complying with different international standards are available :

- IEC 60947
- UL489 / CSA C22.2 No. 5
- ANSI C37 / UL1066

CCC, EAC and other local certifications are available for the IEC rated products.

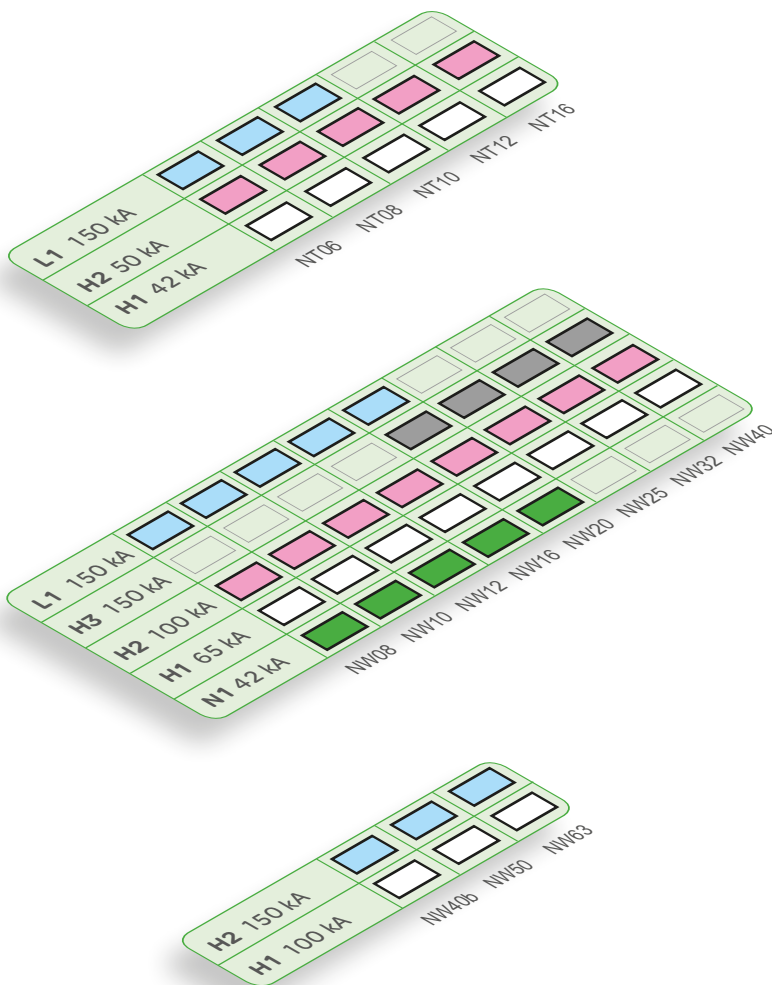
## Two families and three frame sizes

The range of power circuit breakers includes two families:

- Masterpact NT, the world's smallest true power circuit breaker, with ratings from 630 to 1600 A
- Masterpact NW, in two frame sizes, one from 800 to 4000 A and the other from 4000 to 6300 A.

## 5 performance levels

- N1 - for standard applications with low short-circuit levels.
- H1 - for industrial sites with high short-circuit levels or installations with two parallel-connected transformers.
- H2 - high-performance for heavy industry where very high short-circuits can occur.
- H3 - for incoming devices supplying critical applications requiring both high performance and a high level of discrimination.
- L1 - for high current-limiting capability and a discrimination level (37 kA) as yet unequalled by any other circuit breaker of its type; intended for the protection of cable-type feeders or to raise the performance level of a switchboard when the transformer power rating is increased.



# 3 sizes:



Masterpact NT 630 to 1600 A



Masterpact NW 800 to 4000 A



Masterpact NW 4000 to 6300 A

# Optimised volumes and ease of installation

Aiming at standardising electrical switchboards at a time when installations are increasingly complex, Masterpact provides an unequalled simplicity, both concerning choice and installation.

## The smallest circuit breaker in the world

Masterpact NT innovates by offering all the performance of a power circuit breaker in an extremely small volume. The 70 mm pole pitch means a three-pole drawout circuit breaker can be installed in a switchboard section 400 mm wide and 400 mm deep.

## Maximum security

The arc chutes absorb the energy released during breaking, thus limiting the stresses exerted on the installation. They filter and cool the gases produced, reducing effects perceptible from the outside.

## Optimised volumes

Up to 4000 A, Masterpact NW circuit breakers are all the same size, the same as the old M08 to 32 range. From 4000 to 6300 A, there is just one size.

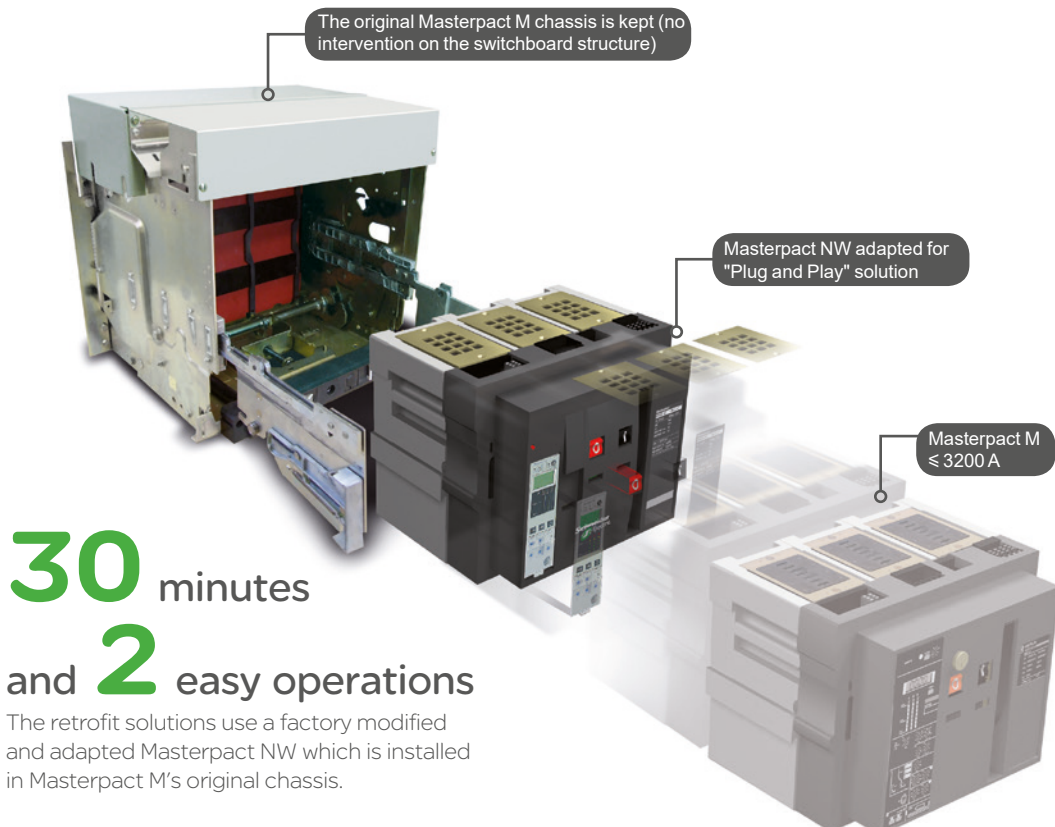
More than

# 60

patents are used to design Masterpact

## Retrofit solutions

- > Special connections terminals are available to replace a fixed or a drawout Masterpact M08 to 32 with a Masterpact NW, without modifying the busbars or the door cut-out.
- > "Plug and Play" retrofit solution: this solution enables retrofitting of Masterpact M units with considerably reducing on-site intervention time and getting the performance of last generation device.



## Standardisation of the switchboard

With optimised sizes, the Masterpact NT and NW ranges simplify the design of switchboards and standardise the installation of devices:

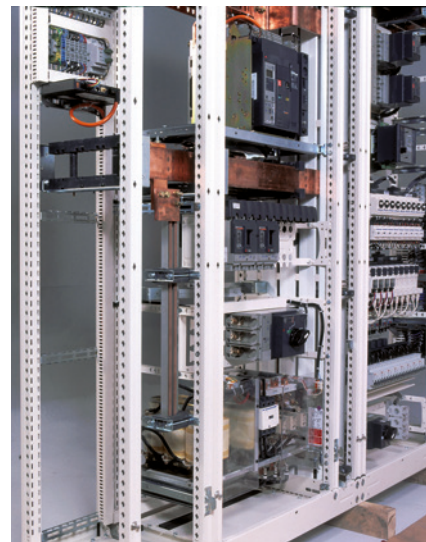
- > a single connection layout for Masterpact NT
- > three connection layouts for Masterpact NW:
  - one from 800 to 3200 A
  - one for 4000 A
  - one up to 6300 A
- > horizontal or vertical rear connections can be modified on-site by turning the connectors 90° or they can even be replaced by front connection terminals
- > identical connection terminals for the fixed or draw-out version for each rating (Masterpact NW)
- > front connection requires little space because the connectors not increase the depth of the device.



## Practical installation solutions

The Masterpact NW range further improves the installation solutions that have built the success of its predecessors:

- > incoming connection to top or bottom terminals
  - > no safety clearance required
  - > connection:
    - horizontal or vertical rear connection
    - front connection with minimum extra space
    - mixed front and rear connections
- 115 mm pole pitch on all versions
- > no derating up to 55 °C and 4000 A.



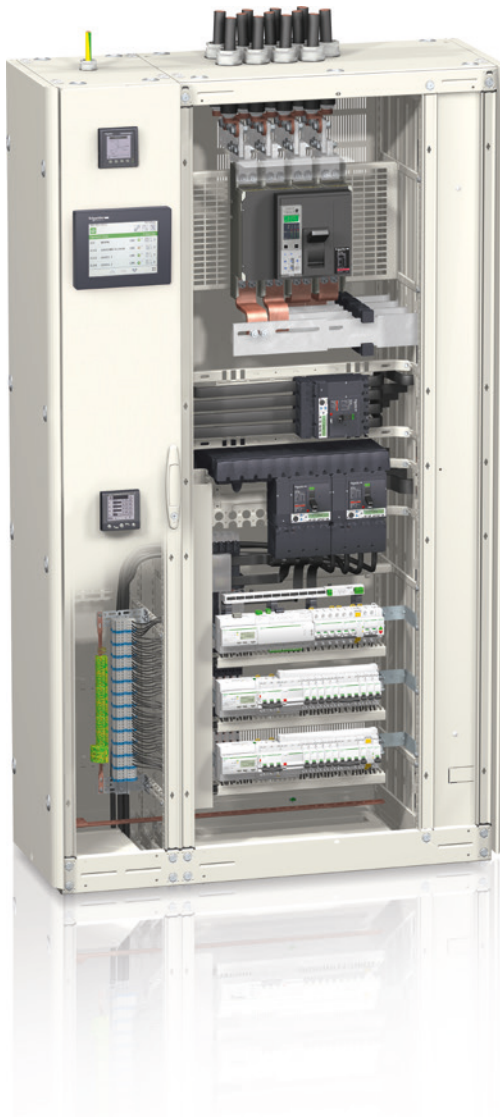
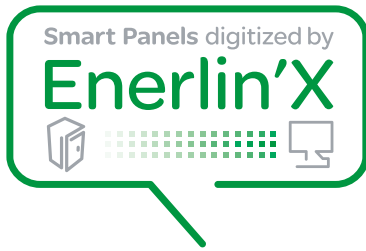
**Compliance with environmental requirements**

The materials used for Masterpact are not potentially dangerous to the environment and are marked to facilitate sorting for recycling.

Production facilities are non-polluting in compliance with the ISO 14001 standard.

# Energy management has never been simpler

Simple-to-install Smart Panels connect your building to real savings  
in 3 steps



## 1 Measure

Embedded and stand-alone metering & control capabilities

## 2 Connect

- > Integrated communication interfaces
- > Ready to connect to energy management platforms

## 3 Save

- > Data-driven energy efficiency actions
- > Real time monitoring and control
- > Access to energy and site information through on-line services



Smart Panels connect you to energy savings





## 1 MEASURE

### "Smart Panels" mean visible information

Grouping most of the electrical protection, command and metering components, the switchboards are now significant sources of data locally displayed and sent via communication networks.

## 2 CONNECT

### ... and ready to be linked to expertise

Smart Panels use reliable, simple to install and use displays, and Ethernet and Modbus interfaces on the Enerlin'X communication system.

Information is safely transmitted through the most efficient networks:

- Modbus SL inside switchboards, between components
- Ethernet, on cable or WiFi, inside the building and connecting switchboards, computers,
- Ethernet on DSL or GPRS, for access to on-line services by Schneider Electric.

Energy experts, wherever they are, are now able to provide advises based on permanently updated data of the building.

## 3 SAVE



### On-site real time monitoring and control

**On a touch screen display connected to Ethernet**

- shows essential electrical information and alarms concerning the electrical network,
- allows control (open, close, reset...) of various equipments.

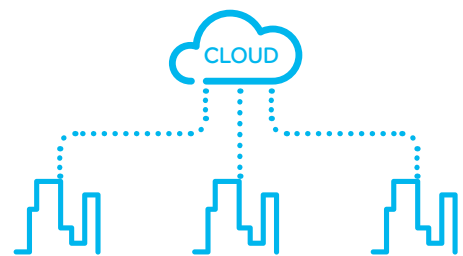
*This touch screen is well appreciated for real time value checking and control, directly on the front panel of the main switchboard.*

**On a PC display with common browser**

- shows monitoring web pages hosted into the local Ethernet interface,
- alarm events generate automatic email notifications,
- allows control (open, close, reset...) of various equipments.

*Data displayed on graphics or recorded into files are of a great interest for optimizing the use of energy in the building.*

*As an example, they definitely help validating the change of temperature settings, time scheduling in a Building Management System or other automated devices.*



### On-line Energy Management services

**StruXureWare Energy Operation**

automates data collection via an open, scalable, and secure energy management information system.

With the help of the Schneider Electric energy management services team, data is then turned into actionable information to enable customers to understand their facilities' performance on an ongoing basis.

Energy Operation leverages companies' current investments in their existing systems, and can be used to communicate advanced results and performance to a broad audience for a shared understanding throughout an organization.

# Keep your Masterpact NT/NW features year after year by performing requested maintenance

To maintain Masterpact's operating and safety characteristics from the beginning to the end of its service life, Schneider Electric requests that systematic checks and periodic maintenance be carried out by qualified personnel, as indicated in the **"Masterpact Maintenance Guide"**.

## The Maintenance Guide defines 3 types of maintenance:

- the **corrective maintenance** repairs a system in view of fulfilling a required function
- the **preventive maintenance** consists in carrying out, at predetermined intervals, checks intended to reduce the probability of a failure or deterioration in the operation of a system
- the **predictive maintenance**, based on the recording and analysis of system parameters, is the means to detect drift from the initial state and significant trends. Using predictive maintenance makes possible to anticipate on the corrective action required to ensure equipment safety and continuity of service, and plan the action for the most convenient time.



## The Maintenance Guide is available on Internet ([www.schneider-electric.com](http://www.schneider-electric.com)) and provides detailed information on:

- the types of maintenance required, depending on the criticality of the protected circuit
- the risks involved if the component ceases to operate correctly
- what is understood by the terms normal, improved and severe environment and operating conditions
- the periodic preventive maintenance operations that should be carried out under normal environment and operating conditions as well as the level of competence required for the operations
- the environment and operating conditions that accelerate device ageing.



# General contents

## Masterpact NT and NW

[www.schneider-electric.com](http://www.schneider-electric.com)

Presentation

Functions and characteristics

Installation recommendations

Dimensions and connection

Electrical diagrams

Additional characteristics

Catalogue numbers and order form

A

B

C

D

E

F

# General overview

## Detailed contents

This overview describes all the functions offered by Masterpact NT and NW devices. The two product families have identical functions implemented using the same or different components depending on the case.

### Circuit breakers and switch-disconnectors

> page A-2



- Ratings:
  - Masterpact NT 630 to 1600 A
  - Masterpact NW 800 to 6300 A.
- Circuit breakers type N1, H1, H2, H3, L1.
- Switch-disconnectors type NA, HA, HF, HH.
- 3 or 4 poles.
- Fixed or drawout versions.
- Option with neutral on the right.
- Protection derating.

### Micrologic control units

> page A-8

#### Ammeter A and Energy E

- 2.0 basic protection
- 5.0 selective protection
- 6.0 selective + earth-fault protection
- 7.0 (1) selective + earth-leakage protection

#### Power meter P

- 5.0 selective protection
- 6.0 selective + earth-fault protection
- 7.0 selective + earth-leakage protection

#### Harmonic meter H

- 5.0 selective protection
- 6.0 selective + earth-fault protection
- 7.0 selective + earth-leakage protection
- External sensor for earth-fault protection.
- Rectangular sensor for earth-leakage protection.
- Setting options (long-time rating plug):
  - low setting 0.4 to 0.8 x Ir
  - high setting 0.8 to 1 x Ir
  - without long-time protection.
- External AD power-supply module.
- Battery module.

(1) Only for ammeter A.

### Power meter functions

> page A-20

Masterpact equipped with Micrologic 2 / 5 / 6 / 7 trip units offer type A (ammeter) or E (energy) metering functions as well as communication. Using Micrologic sensors and intelligence, Masterpact provides access to measurements of all the main electrical parameters on the built-in screen, on a dedicated FDM display unit or via the communication system.

### Operating assistance functions

> page A-22

Integration of measurement functions provides operators with operating assistance functions including alarms tripped by user-selected measurement values, time-stamped event tables and histories, and maintenance indicators.

### Switchboard display unit functions

> page A-24

The main measurements can be read on the built-in screen of Micrologic 2 / 5 / 6 / 7 trip units. They can also be displayed on the FDM switchboard display unit along with pop-up windows signalling the main alarms.

### Communication

> page A-32

- COM option in Masterpact.
- Masterpact in a communication network.
- IFM: Modbus interface module.
- IFE: Ethernet interface module.
- I/O application module.
- Electrical Asset Manager.



PBI103960.eps



PBI11801-19\_7.eps



screen2b.eps



DB416623.eps

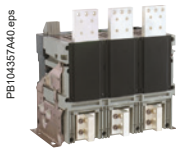
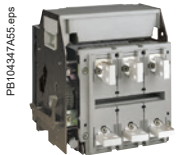


PBI1562\_L23.eps



PBI1911\_L8.eps





## Connections

> page A-46

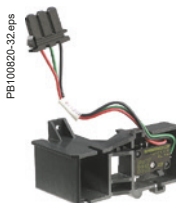
- Rear connection (horizontal or vertical).
- Front connection.
- Mixed connections.
- Optional accessories:
  - bare-cable connectors and connector shields
  - terminal shields
  - vertical-connection adapters
  - cable-lug adapters
  - interphase barriers
  - spreaders
  - disconnectable front-connection adapter
  - safety shutters, shutter locking blocks, shutter position indication and locking.



## Locking

> page A-50

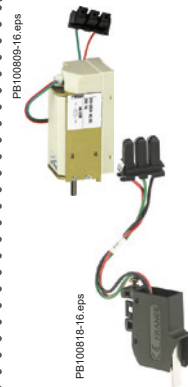
- Pushbutton locking by padlockable transparent cover.
- OFF-position locking by padlock or keylock.
- Chassis locking in disconnected position by keylock.
- Chassis locking in connected, disconnected and test positions.
- Door interlock (inhibits door opening with breaker in connected position).
- Racking interlock (inhibits racking with door open).
- Racking interlock between crank and OFF pushbutton.
- Automatic spring discharge before breaker removal.
- Mismatch protection.



## Indication contacts

> page A-52

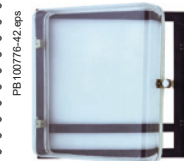
- Standard or low-level contacts:
  - ON/OFF indication (OF)
  - "fault trip" indication (SDE)
  - carriage switches for connected (CE) disconnected (CD) and test (CT) positions.
- Programmable contacts:
  - 2 contacts (M2C)
  - 6 contacts (M6C).



## Remote operation

> page A-54

- Remote ON/OFF:
  - gear motor
  - XF closing or MX opening voltage releases
  - PF ready-to-close contact options:
    - RAR automatic or RES electrical remote reset
    - BPF electrical closing pushbutton.
  - Remote tripping function:
    - MN voltage release
    - standard
    - adjustable or non-adjustable delay
    - or second MX voltage release.



## Accessories

> page A-58

- Auxiliary terminal shield.
- Operation counter.
- Escutcheon.
- Transparent cover for escutcheon.
- Escutcheon blanking plate.



# Functions and characteristics

<b>Circuit breakers and switch-disconnectors</b>	
NT06 to NT16 and NW08 to NW63	A-2
<b>Circuit breakers and switch-disconnectors characteristics</b>	
NT06 to NT16	A-4
NW08 to NW63	A-6
<b>Micrologic control units</b>	
Overview of functions	A-8
Micrologic A “ammeter”	A-10
Micrologic E “energy”	A-12
Micrologic P “power”	A-14
Micrologic H “harmonics”	A-18
<b>Power Meter functions</b>	
Micrologic A/E/P/H control unit with COM option (BCM ULP) and COM Ethernet gateway	A-20
<b>Operating-assistance functions</b>	
Micrologic A/E/P/H control unit with COM option (BCM ULP)	A-22
<b>Switchboard-display functions</b>	
Micrologic A/E/P/H control unit with COM option (BCM ULP)	A-24
Micrologic A/E/P/H control unit with COM Ethernet gateway	A-26
<b>Micrologic control units</b>	
Accessories and test equipment	A-28
<b>Enerlin’X communication system</b>	
Products overview	A-30
<b>Communication</b>	
Communication wiring system	A-32
Overview of functions	A-33
COM option in Masterpact	A-34
Communication architecture	A-35
<b>IFE Ethernet interface</b>	<b>A-36</b>
<b>IFM Modbus communication interface</b>	<b>A-38</b>
<b>I/O application module</b>	<b>A-40</b>
<b>Connection of the IFE to a fixed or drawout Masterpact NT/NW</b>	<b>A-42</b>
<b>Connection of the IFM to a fixed or drawout Masterpact NT/NW</b>	<b>A-43</b>
<b>Electrical Asset Manager Configuration Engineering tool</b>	<b>A-44</b>
<b>Mounting Versions and Connections</b>	
Overview of solutions	A-46
Accessories	A-47
<b>Locking</b>	
On the device	A-50
On the chassis	A-51
<b>Indication contacts</b>	<b>A-52</b>
<b>Remote operation</b>	
Remote ON / OFF	A-54
Remote tripping	A-57
<b>Accessories</b>	<b>A-58</b>
<b>Source-changeover systems</b>	<b>A-59</b>
Presentation	A-59
<b>Interlocking of devices</b>	<b>A-60</b>
Mechanical interlocking	A-60
<b>Electrical interlocking</b>	<b>A-62</b>
IVE unit	A-62
<b>Controller selection</b>	<b>A-63</b>
<b>Standard configuration</b>	<b>A-64</b>
<b>Masterpact NW with corrosion protection 800-4000 A</b>	<b>A-65</b>
<b>Earthing switch Masterpact</b>	<b>A-67</b>

## Presentation

>2

## Installation recommendations

>B-1

## Dimensions and connections

>C-1

## Electrical diagrams

>D-1

## Additional characteristics

>E-1

## Catalogue numbers and order form

>F-1

A

# Circuit breakers and switch-disconnectors

## NT06 to NT16 and NW08 to NW63

### NT and NW selection criteria

	Masterpact NT			Masterpact NW	
	Standard applications			Standard applications	
	NT06, NT08, NT10, NT12, NT16 H1	H2	NT06, NT08, NT10 L1	NW08...NW16 N1	NW08...NW40 H1
Type of application	Standard applications with low short-circuit currents	Applications with medium-level short-circuit currents	Limiting circuit breaker for protection of cable-type feeders or upgraded transformer ratings	Standard applications with low short-circuit currents	Circuit breaker for industrial sites with high short-circuit currents
Icu/Ics at 440 V	42 kA	50 kA	130 kA	42 kA	65 kA
Icu/Ics at 1000 V	-	-	-	-	-
Icu/Ics at 500 V DC L/R < 15 ms	-	-	-	-	-
Position of neutral	Left	Left	Left	Left	Left or right
Fixed	F	F	F	F	F
Drawout	D	D	D	D	D
Switch-disconnector version	Yes	No	No	Yes	Yes
Front connection	Yes	Yes	Yes	Yes	Yes up to 3200 A
Rear connection	Yes	Yes	Yes	Yes	Yes
Type of Micrologic control unit	A, E, P, H	A, E, P, H	A, E, P, H	A, E, P, H	A, E, P, H

A

### Masterpact NT06 to NT16 installation characteristics

Circuit breaker		NT06, NT08, NT10			NT12, NT16	
Type		H1	H2	L1	H1	H2
<b>Connection</b>						
Drawout	FC	■	■	■	■	■
	RC	■	■	■	■	■
Fixed	FC	■	■	■	■	■
	RC	■	■	■	■	■
<b>Dimensions (mm) H x W x D</b>						
Drawout	3P	322 x 288 x 277				
	4P	322 x 358 x 277				
Fixed	3P	301 x 276 x 196				
	4P	301 x 346 x 196				
<b>Weight (kg) (approximate)</b>						
Drawout	3P/4P	30/39				
	Fixed	3P/4P	14/18			

### Masterpact NW08 to NW63 installation characteristics

Circuit breaker		NW08, NW10, NW12, NW16					NW20				
Type		N1	H1	H2	L1	H10	H1	H2	H3	L1	H10
<b>Connection</b>											
Drawout	FC	■	■	■	■	-	■	■	■	■	-
	RC	■	■	■	■	■	■	■	■	■	■
Fixed	FC	■	■	■	-	-	■	■	-	-	-
	RC	■	■	■	-	-	■	■	-	-	-
<b>Dimensions (mm) H x W x D</b>											
Drawout	3P	439 x 441 x 395									
	4P	439 x 556 x 395									
Fixed	3P	352 x 422 x 297									
	4P	352 x 537 x 297									
<b>Weight (kg) (approximate)</b>											
Drawout	3P/4P	90/120									
	Fixed	3P/4P	50/65								

(1) Except 4000.





# Circuit breakers and switch-disconnectors characteristics

## NT06 to NT16

PB10C95A49.eps



A

### Common characteristics

Number of poles		3/4
Rated insulation voltage (V)	<b>Ui</b>	1000
Impulse withstand voltage (kV)	<b>Uimp</b>	12
Rated operational voltage (V AC 50/60 Hz)	<b>Ue</b>	690
Suitability for isolation		IEC 60947-2
Degree of pollution		IEC 60664-1 3

### Basic circuit breaker

#### Circuit breaker as per IEC 60947-2

Rated current (A)	<b>In</b>	at 40 °C/50 °C <sup>(1)</sup>
Rating of 4th pole (A)		
Sensor ratings (A)		
<b>Type of circuit breaker</b>		
Ultimate breaking capacity (kA rms)	<b>Icu</b>	220/415 V
V AC 50/60 Hz		440 V 525 V 690 V
Rated service breaking capacity (kA rms)	<b>Ics</b>	% Icu
Utilisation category		
Rated short-time withstand current (kA rms)	<b>Icw</b>	0.5 s
V AC 50/60 Hz		1 s 3 s
Integrated instantaneous protection (kA peak ±10 %)		
Rated making capacity (kA peak)	<b>Icm</b>	220/415 V
V AC 50/60 Hz		440 V 525 V 690 V

Break time (ms) between tripping order and arc extinction

Closing time (ms)

#### Switch-disconnector as per IEC 60947-3 and Annex A

##### Type of switch-disconnector

Rated making capacity (kA peak)	<b>Icm</b>	220 V
AC23A/AC3 category V AC 50/60 Hz		440 V 525/690 V
Rated short-time withstand current (kA rms)	<b>Icw</b>	0.5 s
AC23A/AC3 category V AC 50/60 Hz		1 s 3 s
Ultimate breaking capacity Icu (kA rms) with an external protection relay		690 V
Maximum time delay: 350 ms		

#### Mechanical and electrical durability as per IEC 60947-2/3 at In/Ie

Durability Mechanical without maintenance

C/O cycles x 1000

##### Type of circuit breaker

<b>Rated current</b>		<b>In (A)</b>	
C/O cycles x 1000	Electrical	without maintenance	440 V
			690 V

##### Type of circuit breaker or switch-disconnector

<b>Rated operational current</b>		<b>Ie (A)</b>	<b>AC23A</b>
C/O cycles x 1000	Electrical	without maintenance	440 V
			690V

##### Type of circuit breaker or switch-disconnector

<b>Rated operational current</b>		<b>Ie (A)</b>	<b>AC3<sup>(4)</sup></b>
Motor power			380/415 V (kW) 440 V (kW)
C/O cycles x 1000	Electrical	without maintenance	440 V
			690 V

(1) 50 °C: rear vertical connected. Refer to temperature derating tables for other connection types.

(2) See the current-limiting curves in the "additional characteristics" section.

(3) SELLIM system.

(4) Suitable for motor control (direct-on-line starting).

**Sensor selection**

Sensor rating (A)	250 <sup>(1)</sup>	400	630	800	1000	1250	1600
Ir threshold setting (A)	100 to 250	160 to 400	250 to 630	320 to 800	400 to 1000	500 to 1250	640 to 1600

(1) For circuit breaker NT02, please consult us.

A

NT06			NT08			NT10			NT12		NT16	
630			800			1000			1250		1600	
630			800			1000			1250		1600	
400 to 630			400 to 800			400 to 1000			630 to 1250		800 to 1600	
H1	H2	L1 <sup>(2)</sup>				H1	H2					
42	50	150				42	50					
42	50	130				42	50					
42	42	100				42	42					
42	42	-				42	42					
100 %						100 %						
B	B	A				B	B					
42	42	10				42	42					
42	42	-				42	42					
24	20	-				24	20					
-	90	10 x ln <sup>(3)</sup>				-	90					
88	105	330				88	105					
88	105	286				88	105					
88	88	220				88	88					
88	88	52				88	88					
25	25	9				25	25					
< 50						< 50						
HA						HA						
75						75						
75						75						
75						75						
36						36						
36						36						
20						20						
36						36						
12.5												
H1	H2	L1	H1	H2	L1	H1	H2	L1	H1	H2	H1	H2
<b>630</b>			<b>800</b>			<b>1000</b>			<b>1250</b>		<b>1600</b>	
6	6	3	6	6	3	6	6	3	6	6	6	6
3	3	2	3	3	2	3	3	2	3	3	3	3
H1/H2/HA												
<b>630</b>			<b>800</b>			<b>1000</b>		<b>1250</b>		<b>1600</b>		
6			6			6		6		3		
3			3			3		3		1		
H1/H2/HA												
<b>500</b>			<b>630</b>			<b>800</b>		<b>1000</b>		<b>1000</b>		
≤ 250			250 to 335			335 to 450		450 to 560		450 to 560		
≤ 300			300 to 400			400 to 500		500 to 630		500 to 630		
6												
-												

# Circuit breakers and switch-disconnectors characteristics

## NW08 to NW63

PB 106363/A45 eps



A

PB 106362/A45 eps



### Common characteristics

Number of poles		3/4	
Rated insulation voltage (V)	<b>Ui</b>	1000	1250 for H10, HA10
Impulse withstand voltage (kV)	<b>Uimp</b>	12	12
Rated operational voltage (V AC 50/60 Hz)	<b>Ue</b>	690	1150 for H10, HA10
Suitability for isolation	IEC 60947-2		
Degree of pollution	IEC 60664-1	4 (1000 V) / 3 (1250 V)	

### Basic circuit breaker

#### Circuit breaker as per IEC 60947-2

Rated current (A)	at 40 °C / 50 °C <sup>(1)</sup>		
Rating of 4th pole (A)			
Sensor ratings (A)			

#### Type of circuit breaker

Ultimate breaking capacity (kA rms) V AC 50/60 Hz	<b>Icu</b>	220/415/440 V 525 V 690 V 1150 V
Rated service breaking capacity (kA rms)	<b>Ics</b>	% Icu

Utilisation category		
Rated short-time withstand current (kA rms) V AC 50/60 Hz	<b>Icw</b>	1 s 3 s

Integrated instantaneous protection (kA peak ±10 %)		
Rated making capacity (kA peak) V AC 50/60 Hz	<b>Icm</b>	220/415/440 V 525 V 690 V 1150 V

Break time (ms) between tripping order and arc extinction  
Closing time (ms)

### Unprotected circuit breaker

#### Tripping by shunt trip as per IEC 60947-2

##### Type of circuit breaker

Ultimate breaking capacity (kA rms) V AC 50/60 Hz	<b>Icu</b>	220...690 V
Rated service breaking capacity (kA rms)	<b>Ics</b>	% Icu
Rated short-time withstand current (kA rms)	<b>Icw</b>	1 s 3 s

Overload and short-circuit protection

External protection relay: short-circuit protection, maximum delay: 400 ms <sup>(4)</sup>

Rated making capacity (kA peak) V AC 50/60 Hz	<b>Icm</b>	220...690 V
---	------------	-------------

### Switch-disconnector as per IEC 60947-3 and Annex A

#### Type of switch-disconnector

Rated making capacity (kA peak) AC23A/AC3 category V AC 50/60 Hz	<b>Icm</b>	220...690 V 1150 V
Rated short-time withstand current (kA rms) AC23A/AC3 category V AC 50/60 Hz	<b>Icw</b>	1 s 3 s

### Earthing switch

Latching capacity (kA peak)		135
Rated short time withstand (kA rms)	<b>Icw</b>	1 s 3 s

### Mechanical and electrical durability as per IEC 60947-2/3 at In/Ie

Durability	Mechanical	with maintenance	
C/O cycles x 1000		without maintenance	

#### Type of circuit breaker

Rated current		<b>In (A)</b>	
C/O cycles x 1000	Electrical	without maintenance	440 V
IEC 60947-2			690 V 1150 V

#### Type of circuit breaker or switch-disconnector

Rated operational current		<b>Ie (A)</b>	<b>AC23A</b>
C/O cycles x 1000	Electrical	without maintenance	440 V
IEC 60947-3			690 V

#### Type of circuit breaker or switch-disconnector

Rated operational current		<b>Ie (A)</b>	<b>AC3 <sup>(5)</sup></b>
Motor power			380/415 V (kW) 440 V (kW) 690 V (kW)
C/O cycles x 1000	Electrical	without maintenance	440/690 V
IEC 60947-3 Annex M/IEC 60947-4-1			

<sup>(1)</sup> 50 °C: rear vertical connected. Refer to temperature derating tables for other connection types.

<sup>(2)</sup> See the current-limiting curves in the "additional characteristics" section.

<sup>(3)</sup> Equipped with a trip unit with a making current of 90 kA peak.

<sup>(4)</sup> External protection must comply with permissible thermal constraints of the circuit breaker (please consult us).

No fault-trip indication by the SDE or the reset button.

<sup>(5)</sup> Suitable for motor control (direct-on-line starting).

<sup>(6)</sup> Equipped with an instantaneous making over-current protection of 187 kA peak.

**Sensor selection**

Sensor rating (A)	250 <sup>(1)</sup>	400	630	800	1000	1250	1600	2000	2500	3200	4000	5000	6300
Ir threshold setting(A)	100 to 250	160 to 400	250 to 630	320 to 800	400 to 1000	500 to 1250	630 to 1600	800 to 2000	1000 to 2500	1250 to 3200	1600 to 4000	2000 to 5000	2500 to 6300

(1) For circuit breaker NW02, please consult us.

NW08	NW10	NW12	NW16		NW20						NW25	NW32	NW40		NW40b	NW50	NW63
800	1000	1250	1600	2000		2000						2500	3200	4000	4000	5000	6300
800	1000	1250	1600	2000		2000						2500	3200	4000	4000	5000	6300
400 to 800	400 to 1000	630 to 1250	800 to 1600		1000 to 2000						1250 to 2500	1600 to 3200	2000 to 4000		2000 to 4000	2500 to 5000	3200 to 6300
N1	H1	H2	L1 <sup>(2)</sup>	H10	N1	H1	H2	H3	L1 <sup>(2)</sup>	H10	H1	H2	H3	H10	H1	H2	
42	65	100	150	-	42	65	100	150	150	-	65	100	150	-	100	150	
42	65	85	130	-	42	65	85	130	130	-	65	85	130	-	100	130	
42	65	85	100	-	42	65	85	100	100	-	65	85	100	-	100	100	
-	-	-	-	50	-	-	-	-	-	50	-	-	-	50	-	-	
100 %					100 %						100 %				100 %		
B					B						B				B		
42	65	85	30	50	42	65	85	65	30	50	65	85	65	50	100	100	
22	36	50	30	50	22	36	75	65	30	50	65	75	65	50	100	100	
-	-	190	80	-	-	-	190	150	80	-	-	190	150	-	-	270	
88	143	220	330	-	88	143	220	330	330	-	143	220	330	-	220	330	
88	143	187	286	-	88	143	187	286	286	-	143	187	286	-	220	286	
88	143	187	220	-	88	143	187	220	220	-	143	187	220	-	220	220	
-	-	-	-	105	-	-	-	-	-	105	-	-	-	105	-	-	
25	25	25	10	25	25	25	25	25	10	25	25	25	25	25	25	25	
< 70					< 70 < 70						< 70				< 80		

HA		HF <sup>(3)</sup>		HA		HF <sup>(3)</sup>		HA		HF <sup>(3)</sup>		HA		HH <sup>(6)</sup>	
65	85	65	85	65	85	65	85	65	85	65	85	85	100	85	100
100 %		100 %		100 %		100 %		100 %		100 %		100 %		100 %	
65	85	65	85	65	85	65	85	65	85	65	85	85	100	85	100
36	50	36	75	36	75	55	75	55	75	55	75	85	100	85	100
-	-	-	-	-	-	-	-	-	-	-	-	-	-	-	-
143	187	143	187	143	187	143	187	143	187	143	187	187	220	187	220

NW08/NW10/NW12/NW16				NW20				NW25/NW32/NW40				NW40b/NW50/NW63		
NA	HA	HF	HA10	HA	HF	HA10	HA	HF	HA10	HA	HF	HA10	HA	HH
88	143	187	-	143	187	-	143	187	-	143	187	-	187	220
-	-	-	105	-	-	105	-	-	105	-	-	105	-	-
42	65	85	50	65	85	50	65	85	50	65	85	50	85	100
-	36	50	50	36	75	50	55	75	50	55	75	50	85	100

60  
50

25				20				10					
12.5				10				5					
N1/H1/H2	L1	H10		N1/H1/H2	H3	L1	H10	H1/H2	H3	H10	H1	H2	
<b>800/1000/1250/1600</b>				<b>2000</b>				<b>2500/3200/4000</b>				<b>4000b/5000/6300</b>	
10	3	-		8	2	3	-	5	1.25	-	1.5	1.5	
10	3	-		6	2	3	-	2.5	1.25	-	1.5	1.5	
-	-	0.5		-	-	-	0.5	-	-	0.5	-	-	
<b>H1/H2/NA/HA/HF</b>				<b>H1/H2/H3/HA/HF</b>				<b>H1/H2/H3/HA/HF</b>				<b>H1/H2/HA/HH</b>	
<b>800/1000/1250/1600</b>				<b>2000</b>				<b>2500/3200/4000</b>				<b>4000b/5000/6300</b>	
10				8				5				1.5	
10				6				2.5				1.5	
<b>H1/H2/NA/HA/HF</b>				<b>H1/H2/H3/HA/HF</b>									
<b>800</b>		<b>1000</b>		<b>1250</b>		<b>1600</b>		<b>2000</b>					
335 to 450		450 to 560		560 to 670		670 to 900		900 to 1150					
400 to 500		500 to 630		500 to 800		800 to 1000		1000 to 1300					
≤ 800		800 to 1000		1000 to 1250		1250 to 1600		1600 to 2000					

6

A

# Micrologic control units

## Overview of functions

All Masterpact circuit breakers are equipped with a Micrologic control unit that can be changed on site. Control units are designed to protect Power circuits and loads. Alarms may be programmed for remote indications. Measurements of current, voltage, frequency, power and power quality optimise continuity of service and energy management.



### Dependability

Integration of protection functions in an ASIC electronic component used in all Micrologic control units guarantees a high degree of reliability and immunity to conducted or radiated disturbances. On Micrologic A, E, P and H control units, advanced functions are managed by an independent microprocessor.

### Accessories

Certain functions require the addition of Micrologic control unit accessories, described on page A-28. The rules governing the various possible combinations can be found in the documentation accessible via the Products and services menu of the www.schneider-electric.com web site.

### Micrologic name codes

**2.0 E**

X Y Z

#### X: type of protection

- 2 for basic protection
- 5 for selective protection
- 6 for selective + earth-fault protection
- 7 for selective + earth-leakage protection.

#### Y: control-unit generation

Identification of the control-unit generation. "0" signifies the first generation.

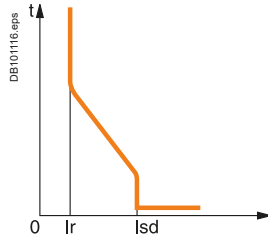
#### Z: type of measurement

- A for "ammeter"
- E for "energy"
- P for "power meter"
- H for "harmonic meter".



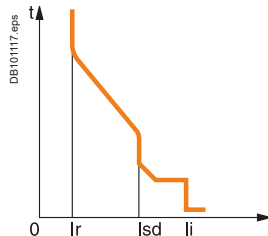
### Current protection

#### Micrologic 2: basic protection



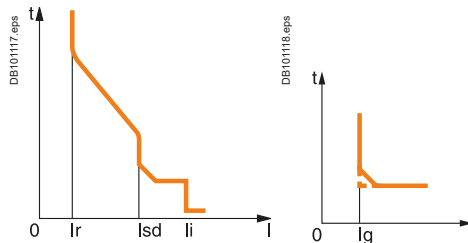
**Protection:**  
long time  
+ instantaneous

#### Micrologic 5: selective protection



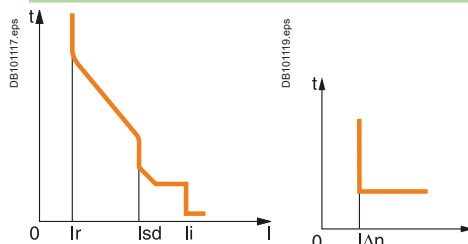
**Protection:**  
long time  
+ short time  
+ instantaneous

#### Micrologic 6: selective + earth-fault protection



**Protection:**  
long time  
+ short time  
+ instantaneous  
+ earth fault

#### Micrologic 7: selective + earth-leakage protection



**Protection:**  
long time  
+ short time  
+ instantaneous  
+ earth leakage up to 3200A

## Measurements and programmable protection

### A: ammeter

- I<sub>1</sub>, I<sub>2</sub>, I<sub>3</sub>, N, earth-fault, earth-leakage and maximeter for these measurements
- fault indications
- settings in amperes and in seconds.

### E: Energy

- incorporates all the rms measurements of Micrologic A, plus voltage, power factor, power and energy metering measurements
- calculates the current demand value
- "Quickview" function for the automatic cyclical display of the most useful values (as standard or by selection).

### P: A + power meter + programmable protection

- measurements of V, A, W, VAR, VA, Wh, VARh, VAh, Hz, V<sub>peak</sub>, A<sub>peak</sub>, power factor and maximeters and minimeters
- IDMTL long-time protection, minimum and maximum voltage and frequency, voltage and current imbalance, phase sequence, reverse power
- load shedding and reconnection depending on power or current
- measurements of interrupted currents, differentiated fault indications, maintenance indications, event histories and time-stamping, etc.

### H: P + harmonics

- power quality: fundamentals, distortion, amplitude and phase of harmonics up to the 31st order
- waveform capture after fault, alarm or on request
- enhanced alarm programming: thresholds and actions.

A

2.0 A



2.0 E



5.0 A



5.0 E



5.0 P



5.0 H



6.0 A



6.0 E



6.0 P



6.0 H



7.0 A



7.0 P



7.0 H



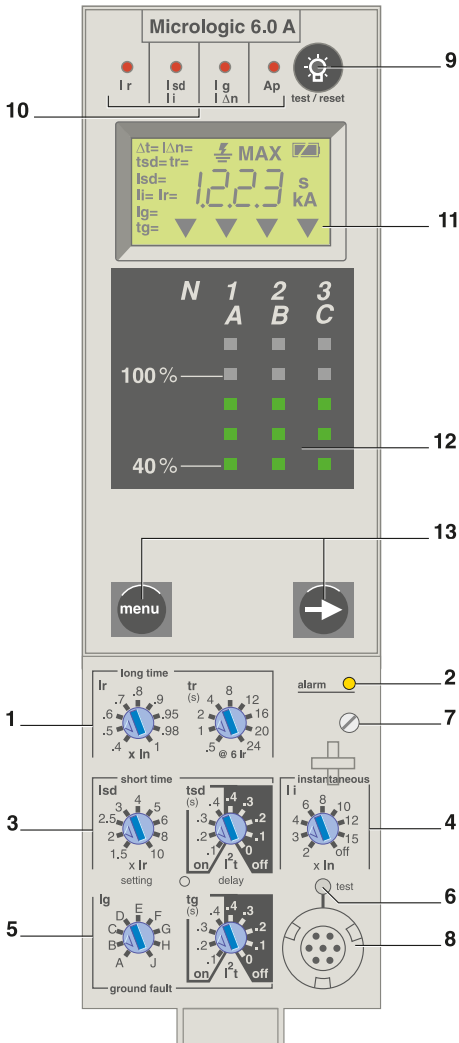
# Micrologic control units

## Micrologic A “ammeter”

Micrologic A control units protect power circuits. They also offer measurements, display, communication and current maximeters. Version 6 provides earth-fault protection, version 7 provides earth-leakage protection.



DB401463.eps



- 1 long-time threshold and tripping delay
- 2 overload alarm (LED) at 1,125 Ir
- 3 short-time pick-up and tripping delay
- 4 instantaneous pick-up
- 5 earth-leakage or earth-fault pick-up and tripping delay
- 6 earth-leakage or earth-fault test button
- 7 long-time rating plug screw
- 8 test connector
- 9 lamp test, reset and battery test
- 10 indication of tripping cause
- 11 digital display
- 12 three-phase bargraph and ammeter
- 13 navigation buttons

### "Ammeter" measurements

Micrologic A control units measure the true (rms) value of currents. They provide continuous current measurements from 0.2 to 1.2 In and are accurate to within 1.5 % (including the sensors). A digital LCD screen continuously displays the most heavily loaded phase (Imax) or displays the I1, I2, I3, IN, Ig, IΔn, stored-current (maximeter) and setting values by successively pressing the navigation button. The optional external power supply makes it possible to display currents < 20 % In. Below 0.1 In, measurements are not significant. Between 0.1 and 0.2 In, accuracy changes linearly from 4 % to 1.5 %.

### Communication option

In conjunction with the COM communication option, the control unit transmits the following:

- settings
- all "ammeter" measurements
- tripping causes
- maximeter readings.

### Protection

Protection thresholds and delays are set using the adjustment dials.

#### Overload protection

True rms long-time protection. Thermal memory: thermal image before and after tripping. Setting accuracy may be enhanced by limiting the setting range using a different long-time rating plug. Overload protection can be cancelled using a specific LT rating plug "Off".

#### Short-circuit protection

Short-time (rms) and instantaneous protection. Selection of I<sup>2</sup>t type (ON or OFF) for short-time delay.

#### Earth-fault protection

Residual or source ground return earth fault protection. Selection of I<sup>2</sup>t type (ON or OFF) for delay.

#### Residual earth-leakage protection (Vigi).

Operation without an external power supply.  $\Lambda$  Protected against nuisance tripping.  $\hat{\Delta}$  DC-component withstand class A up to 10 A.

#### Neutral protection

On three-pole circuit breakers, neutral protection is not possible. On four-pole circuit breakers, neutral protection may be set using a three-position switch: neutral unprotected (4P 3d), neutral protection at 0.5 Ir (4P 3d + N/2), neutral protection at Ir (4P 4d).

#### Zone selective interlocking (ZSI)

A ZSI terminal block may be used to interconnect a number of control units to provide total discrimination for short-time and earth-fault protection, without a delay before tripping.

### Overload alarm

A yellow alarm LED goes on when the current exceeds the long-time trip threshold.

### Fault indications

LEDs indicate the type of fault:

- overload (long-time protection Ir)
- short-circuit (short-time Isd or instantaneous Ii protection)
- earth fault or earth leakage (Ig or IΔn)
- internal fault (Ap).

### Battery power

The fault indication LEDs remain on until the test/reset button is pressed. Under normal operating conditions, the battery supplying the LEDs has a service life of approximately 10 years.

### Test

A mini test kit or a portable test kit may be connected to the test connector on the front to check circuit breaker operation. For Micrologic 6.0 A and 7.0 A control units, the operation of earth-fault or earth-leakage protection can be checked by pressing the test button located above the test connector.

**Note:** Micrologic A control units come with a transparent lead-seal cover as standard.



Protection		Micrologic 2.0 A											
<b>Long time</b>	<b>ANSI Code 49</b>												
Current setting (A)		0.4	0.5	0.6	0.7	0.8	0.9	0.95	0.98	1			
Tripping between 1.05 and 1.20 x Ir		Other ranges or disable by changing long-time rating plug											
Time setting	<b>tr (s)</b>	0.5	1	2	4	8	12	16	20	24			
Time delay (s)	Accuracy: 0 to -30 %	1.5 x Ir	12.5	25	50	100	200	300	400	500	600		
	Accuracy: 0 to -20 %	6 x Ir	0.7 <sup>(1)</sup>	1	2	4	8	12	16	20	24		
	Accuracy: 0 to -20 %	7.2 x Ir	0.7 <sup>(2)</sup>	0.69	1.38	2.7	5.5	8.3	11	13.8	16.6		
Thermal memory		20 minutes before and after tripping											
<b>(1) 0 to -40 % - (2) 0 to -60 %</b>													
<b>Instantaneous</b>	<b>ANSI Code 50</b>												
Pick-up (A)	<b>I<sub>sd</sub> = I<sub>r</sub> x ...</b>	1.5	2	2.5	3	4	5	6	8	10			
Accuracy: ±10 %													
Time delay		Max resettable time: 20 ms Max break time: 80 ms											

Protection		Micrologic 5.0 / 6.0 / 7.0 A												
<b>Long time</b>	<b>ANSI Code 49</b>	<b>Micrologic 5.0 / 6.0 / 7.0 A</b>												
Current setting (A)	<b>I<sub>r</sub> = I<sub>n</sub> x ...</b>	0.4	0.5	0.6	0.7	0.8	0.9	0.95	0.98	1				
Tripping between 1.05 and 1.20 x Ir		Other ranges or disable by changing long-time rating plug												
Time setting	<b>tr (s)</b>	0.5	1	2	4	8	12	16	20	24				
Time delay (s)	Accuracy: 0 to -30 %	1.5 x Ir	12.5	25	50	100	200	300	400	500	600			
	Accuracy: 0 to -20 %	6 x Ir	0.7 <sup>(1)</sup>	1	2	4	8	12	16	20	24			
	Accuracy: 0 to -20 %	7.2 x Ir	0.7 <sup>(2)</sup>	0.69	1.38	2.7	5.5	8.3	11	13.8	16.6			
Thermal memory		20 minutes before and after tripping												
<b>(1) 0 to -40 % - (2) 0 to -60 %</b>														
<b>Short time</b>	<b>ANSI Code 51</b>													
Pick-up (A)	<b>I<sub>sd</sub> = I<sub>r</sub> x ...</b>	1.5	2	2.5	3	4	5	6	8	10				
Accuracy: ±10 %														
Time setting tsd (s)	Settings	I <sup>2</sup> t Off	0	0.1	0.2	0.3	0.4	I <sup>2</sup> t On	-	0.1		0.2	0.3	0.4
Time delay (ms) at 10 x Ir (I <sup>2</sup> t Off or I <sup>2</sup> t On)	<b>tsd (max resettable time)</b>		20	80	140	230	350	<b>tsd (max break time)</b>		80	140	200	320	500
			80	140	200	320	500							
<b>Instantaneous</b>	<b>ANSI Code 50</b>													
Pick-up (A)	<b>I<sub>li</sub> = I<sub>n</sub> x ...</b>	2	3	4	6	8	10	12	15	off				
Accuracy: ±10 %														
Time delay		Max resettable time: 20 ms Max break time: 50 ms												
<b>Earth fault</b>	<b>ANSI Code 51N</b>	<b>Micrologic 6.0 A</b>												
Pick-up (A)	<b>I<sub>g</sub> = I<sub>n</sub> x ...</b>	A	B	C	D	E	F	G	H	J				
Accuracy: ±10 %	I <sub>n</sub> ≤ 400 A	0.3	0.3	0.4	0.5	0.6	0.7	0.8	0.9	1				
	400 A < I <sub>n</sub> < 1250 A	0.2	0.3	0.4	0.5	0.6	0.7	0.8	0.9	1				
	I <sub>n</sub> ≥ 1250 A	500	640	720	800	880	960	1040	1120	1200				
Time setting tg (s)	Settings	I <sup>2</sup> t Off	0	0.1	0.2	0.3	0.4	I <sup>2</sup> t On	-	0.1	0.2	0.3	0.4	
			20	80	140	230	350							
Time delay (ms) at I <sub>n</sub> or 1200 A (I <sup>2</sup> t Off or I <sup>2</sup> t On)	<b>tg (max resettable time)</b>		80	140	200	320	500	<b>tg (max break time)</b>		80	140	200	320	500
			80	140	200	320	500							
<b>Residual earth leakage (Vigi)</b>	<b>ANSI Code 51G</b>	<b>Micrologic 7.0 A</b>												
Sensitivity (A)	<b>IΔn</b>	0.5	1	2	3	5	7	10	20	30				
Accuracy: 0 to -20 %	Settings	60	140	230	350	800								
	<b>Δt (max resettable time)</b>		60	140	230	350	800	<b>Δt (max break time)</b>		140		200	320	500
Time delay Δt (ms)			60	140	230	350	800							

Ammeter		Micrologic 2.0 / 5.0 / 6.0 / 7.0 A		
<b>Type of measurements</b>		<b>Range</b>	<b>Accuracy</b>	
Instantaneous currents	I <sub>1</sub> , I <sub>2</sub> , I <sub>3</sub> , I <sub>N</sub>	0.2 x I <sub>n</sub> to 1.2 x I <sub>n</sub>	±1.5 %	
	I <sub>g</sub> (6.0 A)	0.2 x I <sub>n</sub> to I <sub>n</sub>	±10 %	
	IΔn (7.0 A)	0 to 30 A	±1.5 %	
Current maximeters of	I <sub>1</sub> , I <sub>2</sub> , I <sub>3</sub> , I <sub>N</sub>	0.2 x I <sub>n</sub> to 1.2 x I <sub>n</sub>	±1.5 %	

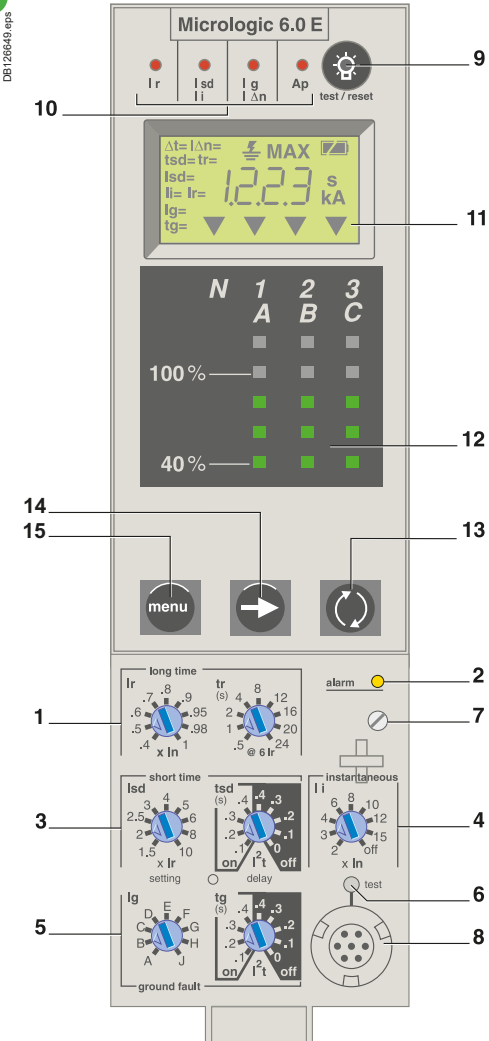
**Note:** all current-based protection functions require no auxiliary source.  
The test / reset button resets maximeters, clears the tripping indication and tests the battery.

# Micrologic control units

## Micrologic E “energy”

Micrologic E control units protect power circuits. They also offer measurements, display, communication and current maximeters. Version 6 provides earth-fault protection.

A



- 1 long-time threshold and tripping delay
- 2 overload alarm (LED) at 1,125 Ir
- 3 short-time pick-up and tripping delay
- 4 instantaneous pick-up
- 5 earth-leakage or earth-fault pick-up and tripping delay
- 6 earth-leakage or earth-fault test button
- 7 long-time rating plug screw
- 8 test connector
- 9 lamp test, reset and battery test
- 10 indication of tripping cause
- 11 digital display
- 12 three-phase bargraph and ammeter
- 13 navigation button "quick View" (only with Micrologic E)
- 14 navigation button to view menu contents
- 15 navigation button to change menu

(1) Display on FDM only.

**Note:** Micrologic E control units come with a transparent lead-seal cover as standard.

### "Energy meter" measurements

#### In addition to the ammeter measurements of Micrologic A

Micrologic E control units measure and display:

- current demand
- voltages: phase to phase, phase to neutral, average (1) and unbalanced (1)
- instantaneous power: P, Q, S
- power factor: PF
- power demand: P demand
- energy: Ep, Eq (1), Es (1).

Accuracy of active energy Ep is 2 % (including the sensors). The range of measurement is the same as current with Micrologic A, depending of an external power supply module (24 V DC).

### Communication option

In conjunction with the COM communication option, the control unit transmits the following:

- settings
- all "ammeter" and "energy" measurements
- enable connection to FDM
- tripping causes
- maximeter / minimeter readings.

### Protection

Protection thresholds and delays are set using the adjustment dials.

#### Overload protection

True rms long-time protection.

Thermal memory: thermal image before and after tripping.

Setting accuracy may be enhanced by limiting the setting range using a different long-time rating plug. Overload protection can be cancelled using a specific LT rating plug "Off".

#### Short-circuit protection

Short-time (rms) and instantaneous protection.

Selection of I<sup>2</sup>t type (ON or OFF) for short-time delay.

#### Earth-fault protection

Residual or source ground return earth fault protection.

Selection of I<sup>2</sup>t type (ON or OFF) for delay

#### Neutral protection

On three-pole circuit breakers, neutral protection is not possible.

On four-pole circuit breakers, neutral protection may be set using a three-position switch: neutral unprotected (4P 3d), neutral protection at 0.5 Ir (4P 3d + N/2), neutral protection at Ir (4P 4d).

#### Zone selective interlocking (ZSI)

A ZSI terminal block may be used to interconnect a number of control units to provide total discrimination for short-time and earth-fault protection, without a delay before tripping.

### Overload alarm

A yellow alarm LED goes on when the current exceeds the long-time trip threshold.

### M2C programmable contacts

The M2C (two contacts) programmable contacts may be used to signal events (Ir, Isd, Alarm Ir, Alarm Ig, Ig). They can be programmed using the keypad on the Micrologic E control unit or remotely using the COM option (BCM ULP).

### Fault indications

LEDs indicate the type of fault:

- overload (long-time protection Ir)
- short-circuit (short-time Isd or instantaneous Ii protection)
- earth fault (Ig)
- internal fault (Ap).

### Trip history

The trip history displays the list of the last 10 trips. For each trip, the following indications are recorded and displayed:

- the tripping cause: Ir, Isd, Ii, Ig or Auto-protection (Ap) trips
- the date and time of the trip (requires communication option).

### Battery power

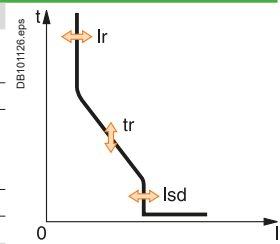
The fault indication LEDs remain on until the test/reset button is pressed. Under normal operating conditions, the battery supplying the LEDs has a service life of approximately 10 years.

### Test

A mini test kit or a portable test kit may be connected to the test connector on the front to check circuit breaker operation. For Micrologic 6.0 E control units, the operation of earth-fault or earth-leakage protection can be checked by pressing the test button located above the test connector.

**Protection Micrologic 2.0 E**

Long time	ANSI Code 49	0.4	0.5	0.6	0.7	0.8	0.9	0.95	0.98	1	
Current setting (A)											
Tripping between 1.05 and 1.20 x Ir		Other ranges or disable by changing long-time rating plug									
Time setting	tr (s)	0.5	1	2	4	8	12	16	20	24	
Time delay (s)	Accuracy: 0 to -30 %	1.5 x Ir	12.5	25	50	100	200	300	400	500	600
	Accuracy: 0 to -20 %	6 x Ir	0.7 <sup>(1)</sup>	1	2	4	8	12	16	20	24
	Accuracy: 0 to -20 %	7.2 x Ir	0.7 <sup>(2)</sup>	0.69	1.38	2.7	5.5	8.3	11	13.8	16.6
Thermal memory		20 minutes before and after tripping									

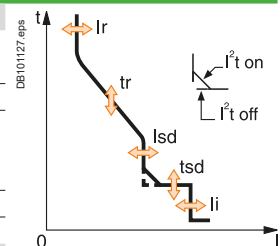


A

Instantaneous	ANSI Code 50	1.5	2	2.5	3	4	5	6	8	10
Pick-up (A)	Isd = Ir x ...									
Accuracy: ±10 %										
Time delay		Max resettable time: 20 ms Max break time: 80 ms								

**Protection Micrologic 5.0 / 6.0 E**

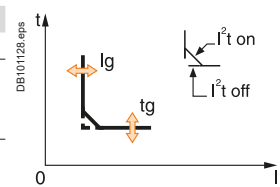
Long time	ANSI Code 49	Micrologic 5.0 / 6.0 E	0.4	0.5	0.6	0.7	0.8	0.9	0.95	0.98	1
Current setting (A)	Ir = In x ...										
Tripping between 1.05 and 1.20 x Ir		Other ranges or disable by changing long-time rating plug									
Time setting	tr (s)	0.5	1	2	4	8	12	16	20	24	
Time delay (s)	Accuracy: 0 to -30 %	1.5 x Ir	12.5	25	50	100	200	300	400	500	600
	Accuracy: 0 to -20 %	6 x Ir	0.7 <sup>(1)</sup>	1	2	4	8	12	16	20	24
	Accuracy: 0 to -20 %	7.2 x Ir	0.7 <sup>(2)</sup>	0.69	1.38	2.7	5.5	8.3	11	13.8	16.6
Thermal memory		20 minutes before and after tripping									



Short time	ANSI Code 51	1.5	2	2.5	3	4	5	6	8	10
Pick-up (A)	Isd = Ir x ...									
Accuracy: ±10 %										
Time setting tsd (s)	Settings	I <sup>2</sup> t Off	0	0.1	0.2	0.3	0.4			
		I <sup>2</sup> t On	-	0.1	0.2	0.3	0.4			
Time delay (ms) at 10 x Ir (I <sup>2</sup> t Off or I <sup>2</sup> t On)	tsd (max resettable time)	20	80	140	230	350				
	tsd (max break time)	80	140	200	320	500				

Instantaneous	ANSI Code 50	2	3	4	6	8	10	12	15	off
Pick-up (A)	Ii = In x ...									
Accuracy: ±10 %										
Time delay		Max resettable time: 20 ms Max break time: 50 ms								

Earth fault	ANSI Code 51N	Micrologic 6.0 E	A	B	C	D	E	F	G	H	J
Pick-up (A)	Ig = In x ...										
Accuracy: ±10 %	In ≤ 400 A		0.3	0.3	0.4	0.5	0.6	0.7	0.8	0.9	1
	400 A < In < 1250 A		0.2	0.3	0.4	0.5	0.6	0.7	0.8	0.9	1
	In ≥ 1250 A		500	640	720	800	880	960	1040	1120	1200
Time setting tg (s)	Settings	I <sup>2</sup> t Off	0	0.1	0.2	0.3	0.4				
		I <sup>2</sup> t On	-	0.1	0.2	0.3	0.4				
Time delay (ms) at In or 1200 A (I <sup>2</sup> t Off or I <sup>2</sup> t On)	tg (max resettable time)	20	80	140	230	350					
	tg (max break time)	80	140	200	320	500					



**Energy Micrologic 2.0 / 5.0 / 6.0 E**

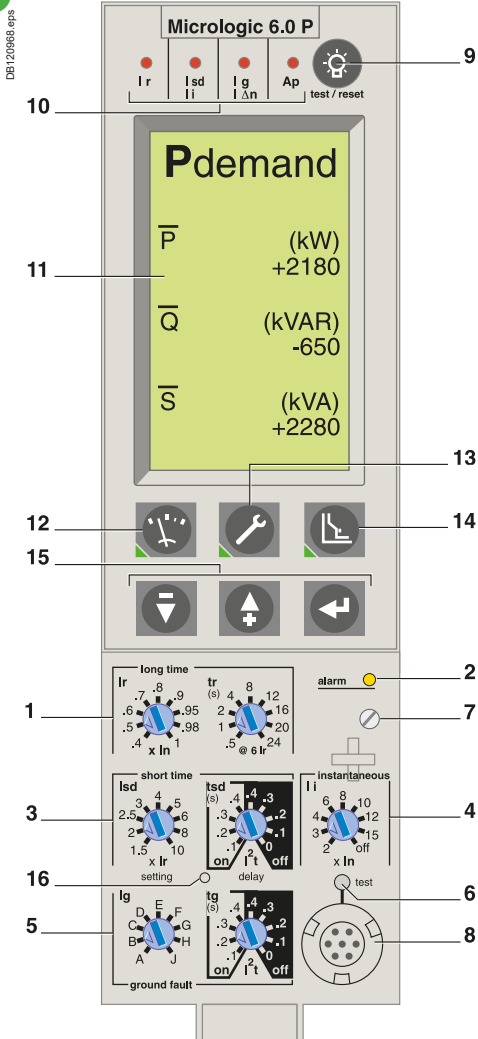
Type of measurements	Range	Accuracy	
Instantaneous currents	I1, I2, I3, IN	0.2 x In to 1.2 x In	±1.5 %
	Ig (6.0 E)	0.05 x In to In	±10 %
Current maximeters of	I1, I2, I3, IN	0.2 x In to 1.2 x In	±1.5 %
Demand currents of I1, I2, I3, Ig		0.2 x In to 1.2 x In	±1.5 %
Voltages	V12, V23, V31, V1N, V2N, V3N	100 to 690 V	±0.5 %
Active power	P	30 to 2000 kW	±2 %
Power factor	PF	0 to 1	±2 %
Demand power	P demand	30 to 2000 kW	±2 %
Active energy	Ep	-10 <sup>10</sup> GWh to 10 <sup>10</sup> GWh	±2 %

**Note:** all current-based protection functions require no auxiliary source.  
The test / reset button resets maximeters, clears the tripping indication and tests the battery.

# Micrologic control units

## Micrologic P “power”

Micrologic P control units include all the functions offered by Micrologic A. In addition, they measure voltages and calculate power and energy values. They also offer new protection functions based on currents, voltages, frequency and power reinforce load protection in real time.



- 1 Long-time current setting and tripping delay.
- 2 Overload signal (LED).
- 3 Short-time pick-up and tripping delay.
- 4 Instantaneous pick-up.
- 5 Earth-leakage or earth-fault pick-up and tripping delay.
- 6 Earth-leakage or earth-fault test button.
- 7 Long-time rating plug screw.
- 8 Test connector.
- 9 Lamp + battery test and indications reset.
- 10 Indication of tripping cause.
- 11 High-resolution screen.
- 12 Measurement display.
- 13 Maintenance indicators.
- 14 Protection settings.
- 15 Navigation buttons.
- 16 Hole for settings lockout pin on cover.

### Protection.....



#### Protection settings

The adjustable protection functions are identical to those of Micrologic A (overloads, short-circuits, earth-fault and earth-leakage protection).

#### Fine adjustment

Within the range determined by the adjustment dial, fine adjustment of thresholds (to within one ampere) and time delays (to within one second) is possible on the keypad or remotely using the COM option (BCM ULP).

#### IDMTL (Inverse Definite Minimum Time lag) setting

Coordination with fuse-type or medium-voltage protection systems is optimised by adjusting the slope of the overload-protection curve. This setting also ensures better operation of this protection function with certain loads.

#### Neutral protection

On three-pole circuit breakers, neutral protection may be set using the keypad or remotely using the COM option (BCM ULP), to one of four positions: neutral unprotected (4P 3d), neutral protection at 0.5 Ir (4P 3d + N/2), neutral protection at Ir (4P 4d) and neutral protection at 1.6 Ir (4P 3d + 1.6N). Neutral protection at 1.6 Ir is used when the neutral conductor is twice the size of the phase conductors (major load imbalance, high level of third order harmonics).

On four-pole circuit breakers, neutral protection may be set using a three-position switch or the keypad: neutral unprotected (4P 3d), neutral protection at 0.5 Ir (4P 3d + N/2), neutral protection at Ir (4P 4d). Neutral protection produces no effect if the long-time curve is set to one of the IDMTL protection settings.

#### Programmable alarms and other protection

Depending on the thresholds and time delays set using the keypad or remotely using the COM option (BCM ULP), the Micrologic P control unit monitors currents and voltage, power, frequency and the phase sequence. Each threshold overrun is signalled remotely via the COM option (BCM ULP). Each threshold overrun may be combined with tripping (protection) or an indication carried out by an optional M2C or M6C programmable contact (alarm), or both (protection and alarm).

#### Load shedding and reconnection

Load shedding and reconnection parameters may be set according to the power or the current flowing through the circuit breaker. Load shedding is carried out by a supervisor via the COM option (BCM ULP) or by an M2C or M6C programmable contact.

#### M2C / M6C programmable contacts

The M2C (two contacts) and M6C (six contacts) auxiliary contacts may be used to signal threshold overruns or status changes. They can be programmed using the keypad on the Micrologic P control unit or remotely using the COM option (BCM ULP).

#### Communication option (COM)

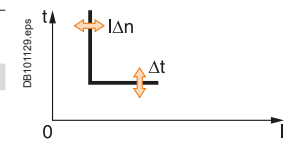
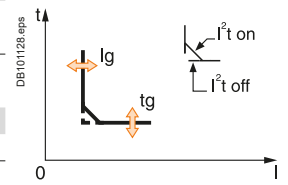
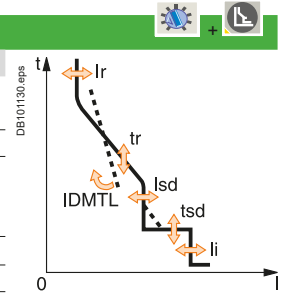
The communication option may be used to:

- remotely read and set parameters for the protection functions
- transmit all the calculated indicators and measurements
- signal the causes of tripping and alarms
- consult the history files and the maintenance-indicator register.
- maximeter reset.

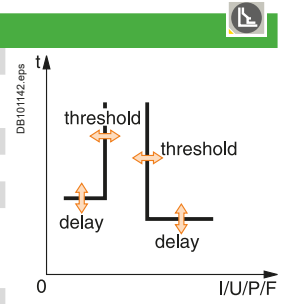
An event log and a maintenance register, stored in control-unit memory but not available locally, may be accessed in addition via the COM option (BCM ULP).

**Note:** Micrologic P control units come with a non-transparent lead-seal cover as standard.

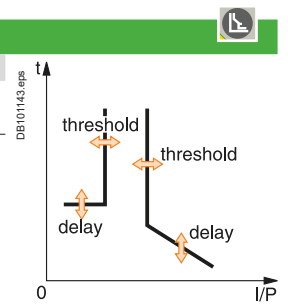
Protection		Micrologic 5.0 / 6.0 / 7.0 P									
<b>Long time (rms)</b>	<b>ANSI Code 49</b>	<b>Micrologic 5.0 / 6.0 / 7.0 P</b>									
Current setting (A)	$I_r = I_n \times \dots$	0.4	0.5	0.6	0.7	0.8	0.9	0.95	0.98	1	
Tripping between 1.05 and 1.20 x $I_r$											
Time setting		<b>tr (s)</b>	0.5	1	2	4	8	12	16	20	24
Time delay (s)	Accuracy: 0 to -30 %	$1.5 \times I_r$	12.5	25	50	100	200	300	400	500	600
IDMTL (EIT)	Accuracy: 0 to -20 %	$6 \times I_r$	0.7 <sup>(1)</sup>	1	2	4	8	12	16	20	24
	Accuracy: 0 to -20 %	$7.2 \times I_r$	0.7 <sup>(2)</sup>	0.69	1.38	2.7	5.5	8.3	11	13.8	16.6
IDMTL setting	Curve slope		SIT	VIT	EIT	HVFuse	DT				
Thermal memory			20 minutes before and after tripping								
<b>(1) 0 to -40 % - (2) 0 to -60 %</b>											
<b>Short time (rms)</b>	<b>ANSI Code 51</b>										
Pick-up (A)	$I_{sd} = I_r \times \dots$	1.5	2	2.5	3	4	5	6	8	10	
Accuracy: ±10 %											
Time setting $t_{sd}$ (s)	Settings	$I^2t$ Off	0	0.1	0.2	0.3	0.4				
		$I^2t$ On	-	0.1	0.2	0.3	0.4				
Time delay (ms) at 10 $I_r$	$t_{sd}$ (max resettable time)		20	80	140	230	350				
( $I^2t$ Off or $I^2t$ On)	$t_{sd}$ (max break time)		80	140	200	320	500				
<b>Instantaneous</b>	<b>ANSI Code 50</b>										
Pick-up (A)	$I_i = I_n \times \dots$	2	3	4	6	8	10	12	15	off	
Accuracy: ±10 %											
Time delay			Max resettable time: 20 ms Max break time: 50 ms								
<b>Earth fault</b>	<b>ANSI Code 51N</b>	<b>Micrologic 6.0 P</b>									
Pick-up (A)	$I_g = I_n \times \dots$	A	B	C	D	E	F	G	H	J	
Accuracy: ±10 %											
	$I_n \leq 400$ A	0.3	0.3	0.4	0.5	0.6	0.7	0.8	0.9	1	
	$400$ A < $I_n$ < 1250 A	0.2	0.3	0.4	0.5	0.6	0.7	0.8	0.9	1	
	$I_n \geq 1250$ A	500	640	720	800	880	960	1040	1120	1200	
Time setting $t_g$ (s)	Settings	$I^2t$ Off	0	0.1	0.2	0.3	0.4				
		$I^2t$ On	-	0.1	0.2	0.3	0.4				
Time delay (ms)	$t_g$ (max resettable time)		20	80	140	230	350				
at $I_n$ or 1200 A ( $I^2t$ Off or $I^2t$ On)	$t_g$ (max break time)		80	140	200	320	500				
<b>Residual earth leakage (Vigi)</b>	<b>ANSI Code 51G</b>	<b>Micrologic 7.0 P</b>									
Sensitivity (A)	$I_{\Delta n}$	0.5	1	2	3	5	7	10	20	30	
Accuracy: 0 to -20 %											
Time delay $\Delta t$ (ms)	Settings	60	140	230	350	800					
	$\Delta t$ (max resettable time)	60	140	230	350	800					
	$\Delta t$ (max break time)	140	200	320	500	1000					



Alarms and other protection		Micrologic 5.0 / 6.0 / 7.0 P			
<b>Current</b>	<b>ANSI Code 46</b>	<b>Threshold</b>	<b>Delay</b>		
Current unbalance	$I_{unbalance}$	0.05 to 0.6 leverage	1 to 40 s		
Max. demand current	$I_{max\ demand}$ : I1, I2, I3, IN,	0.2 $I_n$ to $I_n$	15 to 1500 s		
<b>Earth fault alarm</b>					
	$I_{\Delta n}$	10 to 100 % $I_n$ <sup>(3)</sup>	1 to 10 s		
<b>Voltage</b>	<b>ANSI Code</b>				
Voltage unbalance	<b>Uunbalance</b> <b>47</b>	2 to 30 % x $U_{average}$	1 to 40 s		
Minimum voltage	<b>Umin</b> <b>27</b>	100 to $U_{max}$ between phases	1.2 to 10 s		
Maximum voltage <sup>(4)</sup>	<b>Umax</b> <b>59</b>	$U_{min}$ to 1200 between phases	1.2 to 10 s		
<b>Power</b>					
Reverse power	<b>rP</b> <b>32P</b>	5 to 500 kW	0.2 to 20 s		
<b>Frequency</b>					
Minimum frequency	<b>Fmin</b> <b>81L</b>	45 to $F_{max}$	1.2 to 5 s		
Maximum frequency	<b>Fmax</b> <b>81H</b>	$F_{min}$ to 440 Hz	1.2 to 5 s		
<b>Phase sequence</b>					
Sequence (alarm)	$\square \emptyset$	$\emptyset 1/2/3$ or $\emptyset 1/3/2$	0.3 s		



Load shedding and reconnection		Micrologic 5.0 / 6.0 / 7.0 P			
<b>Measured value</b>		<b>Threshold</b>	<b>Delay</b>		
Current	<b>I</b>	0.5 to 1 $I_r$ per phases	20 % $t_r$ to 80 % $t_r$		
Power	<b>P</b>	200 kW to 10 MW	10 to 3600 s		



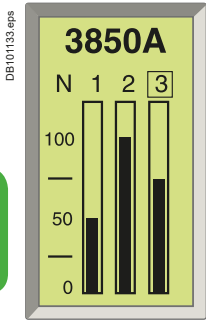
<sup>(3)</sup>  $I_n \leq 400$  A 30 %  
 $400$  A <  $I_n$  < 1250 A 20 %  
 $I_n \geq 1250$  A 10 %  
<sup>(4)</sup> For 690 V applications, a step-down transformer must be used if the voltage exceeds the nominal value of 690 V by more than 10 %.

**Note:** all current-based protection functions require no auxiliary source.  
 Voltage-based protection functions are connected to AC power via a voltage measurement input built into the circuit breaker.

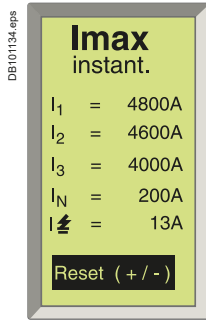
# Micrologic control units

## Micrologic P “power”

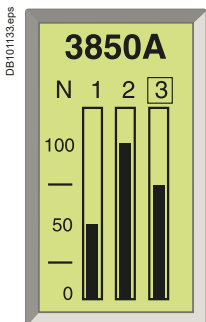
A



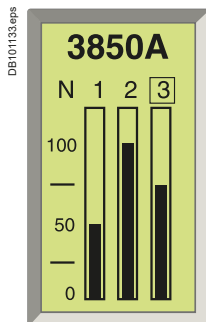
Default display.



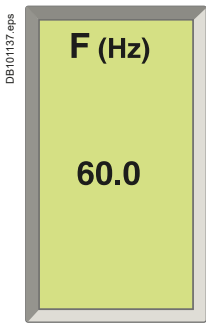
Display of a maximum current.



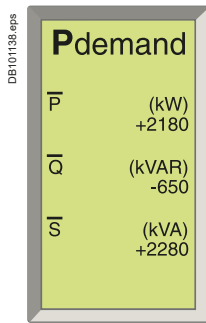
Display of a voltage.



Display of a power.



Display of a frequency.



Display of a demand power.

### Measurements

The Micrologic P control unit calculates in real time all the electrical values (V, A, W, VAR, VA, Wh, VARh, VAh, Hz), power factors and cos $\phi$  factors.

The Micrologic P control unit also calculates demand current and demand power over an adjustable time period. Each measurement is associated with a minimeter and a maximeter.

In the event of tripping on a fault, the interrupted current is stored. The optional external power supply makes it possible to display the value with the circuit breaker open or not supplied.

#### Instantaneous values

The value displayed on the screen is refreshed every second.

Minimum and maximum values of measurements are stored in memory (minimeters and maximeters).

Currents					
I rms	A	1	2	3	N
	A	E-fault		E-leakage	
I max rms	A	1	2	3	N
	A	E-fault		E-leakage	
Voltages					
U rms	V	12	23	31	
V rms	V	1N	2N	3N	
U average rms	V	(U12 + U23 + U31) / 3			
U unbalance	%				
Power, energy					
P active, Q reactive, S apparent	W, Var, VA	Totals			
E active, E reactive, E apparent	Wh, VARh, VAh	Totals consumed - supplied			
		Totals consumed			
		Totals supplied			
Power factor	PF	Total			
Frequencies					
F	Hz				

#### Demand metering

The demand is calculated over a fixed or sliding time window that may be programmed from 5 to 60 minutes. According to the contract signed with the power supplier, an indicator associated with a load shedding function makes it possible to avoid or minimise the costs of overrunning the subscribed power. Maximum demand values are systematically stored and time stamped (maximeter).

Currents					
I demand	A	1	2	3	N
	A	E-fault		E-leakage	
I max demand	A	1	2	3	N
	A	E-fault		E-leakage	
Power					
P, Q, S demand	W, Var, VA	Totals			
P, Q, S max demand	W, Var, VA	Totals			

#### Minimeters and maximeters

Only the current and power maximeters may be displayed on the screen.

#### Time-stamping

Time-stamping is activated as soon as time is set manually or by a supervisor. No external power supply module is required (max. drift of 1 hour per year).

#### Reset

An individual reset, via the keypad or remotely, acts on alarms, minimum and maximum data, peak values, the counters and the indicators.

#### Additional measurements accessible with the COM option (BCM ULP)

Some measured or calculated values are only accessible with the COM communication option:

- $I_{peak} / \sqrt{2}$ ,  $(I_1 + I_2 + I_3) / 3$ , I unbalance
- load level in % I<sub>r</sub>
- total power factor.

The maximeters and minimeters are available only via the COM option (BCM ULP) for use with a supervisor.

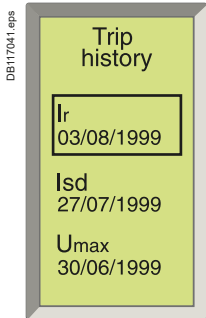
#### Additional info

Accuracy of measurements (including sensors):

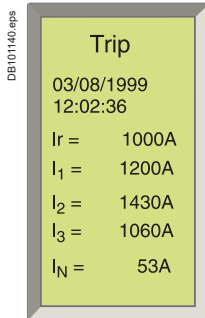
- voltage (V) 0.5 %
- current (A) 1.5 %
- frequency (Hz) 0.1 %
- power (W) and energy (Wh) 2 %.



Logiciel PME.



Display of a tripping history.



Display after tripping.

## Histories and maintenance indicators

The last ten trips and alarms are recorded in two separate history files that may be displayed on the screen:

- tripping history:
  - type of fault
  - date and time
  - values measured at the time of tripping (interrupted current, etc.)
- alarm history:
  - type of alarm
  - date and time
  - values measured at the time of the alarm.

**All the other events are recorded in a third history file which is only accessible through the communication network.**

- Event log history (only accessible through the communication network)
  - modifications to settings and parameters
  - counter resets
  - system faults
  - fallback position
  - thermal self-protection
  - loss of time
  - overrun of wear indicators
  - test-kit connections
  - etc.

*Note: all the events are time stamped: time-stamping is activated as soon as time is set manually or by a supervisor. No external power supply module is required (max. drift of 1 hour per year).*

### Maintenance indicators with COM option (BCM ULP)

A number of maintenance indicators may be called up on the screen to better plan for device maintenance:

- contact wear
- operation counter:
  - cumulative total
  - total since last reset.

Additional maintenance indicators are also available through the COM network, and can be used as an aid in troubleshooting:

- highest current measured
- number of test-kit connections
- number of trips in operating mode and in test mode.

### Additional technical characteristics

#### Safety

Measurement functions are independent of the protection functions.

The high-accuracy measurement module operates independently of the protection module.

#### Simplicity and multi-language

Navigation from one display to another is intuitive. The six buttons on the keypad provide access to the menus and easy selection of values. When the setting cover is closed, the keypad may no longer be used to access the protection settings, but still provides access to the displays for measurements, histories, indicators, etc. Micrologic is also multi-language, including the following languages: English, Spanish, Portuguese, Russian, Chinese, French, German...

#### Intelligent measurement

Measurement-calculation mode:

- energies are calculated on the basis of the instantaneous power values, in two manners:
  - the traditional mode where only positive (consumed) energies are considered
  - the signed mode where the positive (consumed) and negative (supplied) energies are considered separately
- measurement functions implement the new “zero blind time” concept which consists in continuously measuring signals at a high sampling rate. The traditional “blind window” used to process samples no longer exists. This method ensures accurate energy calculations even for highly variable loads (welding machines, robots, etc.).

#### Always powered

All current-based protection functions require no auxiliary source. Voltage-based protection functions are connected to AC power via a voltage measurement input built into the circuit breaker.

#### Stored information

The fine setting adjustments, the last 100 events and the maintenance register remain in the control-unit memory even when power is lost.



Functions and characteristics

# Micrologic control units

## Micrologic H “harmonics”

Micrologic H control units include all the functions offered by Micrologic P. Integrating significantly enhanced calculation and memory functions, the Micrologic H control unit offers in-depth analysis of power quality and detailed event diagnostics. It is intended for operation with a supervisor.



**In addition to the Micrologic P functions, the Micrologic H control unit offers:**

- in-depth analysis of power quality including calculation of harmonics and the fundamentals
- diagnostics aid and event analysis through waveform capture
- enhanced alarm programming to analyse and track down a disturbance on the AC power system.

### Measurements

The Micrologic H control unit offers all the measurements carried out by Micrologic P, with in addition:

- phase by phase measurements of:
  - power, energy
  - power factors
- calculation of:
  - current and voltage total harmonic distortion (THD)
  - current, voltage and power fundamentals
  - current and voltage harmonics up to the 31st order.

### Instantaneous values displayed on the screen

#### Currents

I rms	A	1	2	3	N
	A	E-fault		E-leakage	
I max rms	A	1	2	3	N
	A	E-fault		E-leakage	

#### Voltages

U rms	V	12	23	31
V rms	V	1N	2N	3N
U average rms	V	(U12 + U23 + U31) / 3		
U unbalance	%			

#### Power, energy

P active, Q reactive, S apparent	W, Var, VA	Totals	1	2	3
E active, E reactive, E apparent	Wh, VARh, VAh	Totals consumed - supplied			
		Totals consumed			
		Totals supplied			
Power factor	PF	Total	1	2	3

#### Frequencies

F	Hz
---	----

#### Power-quality indicators

Total fundamentals		U	I	P	Q	S	
THD	%	U I					
U and I harmonics	Amplitude	3	5	7	9	11	13

Harmonics 3, 5, 7, 9, 11 and 13, monitored by electrical utilities, are displayed on the screen.

#### Demand measurements

Similar to the Micrologic P control unit, the demand values are calculated over a fixed or sliding time window that may be set from 5 to 60 minutes.

#### Currents

I demand	A	1	2	3	N
	A	E-fault		E-leakage	
I max demand	A	1	2	3	N
	A	E-fault		E-leakage	

#### Power

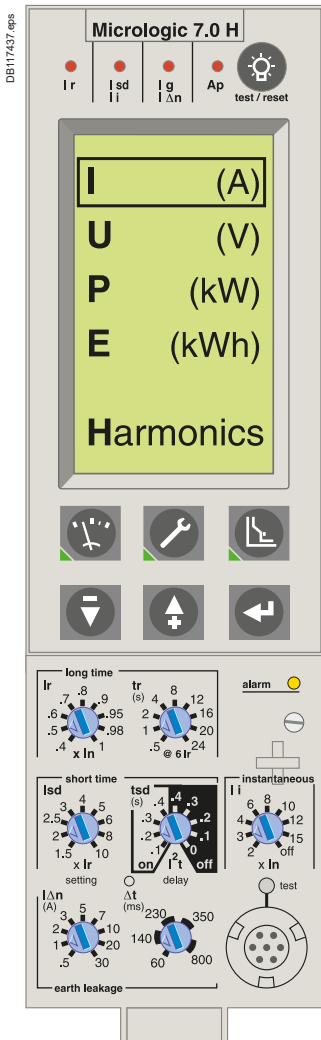
P, Q, S demand	W, Var, VA	Totals
P, Q, S max demand	W, Var, VA	Totals

#### Maximeters

Only the current maximeters may be displayed on the screen.

#### Histories and maintenance indicators

These functions are identical to those of the Micrologic P.



**Note:** Micrologic H control units come with a non-transparent lead-seal cover as standard.



## With the communication option

### Additional measurements, maximeters and minimeters

Certain measured or calculated values are only accessible with the COM communication option:

- $I_{\text{peak}} / \sqrt{2} (I_1 + I_2 + I_3) / 3$ ,  $I_{\text{unbalance}}$
- load level in %  $I_r$
- power factor (total and per phase)
- voltage and current THD
- K factors of currents and average K factor
- crest factors of currents and voltages
- all the fundamentals per phase
- fundamental current and voltage phase displacement
- distortion power and distortion factor phase by phase
- amplitude and displacement of current and voltage harmonics 3 to 31 etc.
- the maximeters and minimeters are available only via the COM option (BCM ULP) for use with a supervisor.

### Waveform capture

The Micrologic H control unit stores the last 4 cycles of each instantaneous current or voltage measurement. On request or automatically on programmed events, the control unit stores the waveforms. The waveforms may be displayed in the form of oscillograms by a supervisor via the COM option (BCM ULP). Definition is 64 points per cycle.

### Pre-defined analogue alarms (1 to 53)

Each alarm can be compared to user-set high and low thresholds. Overrun of a threshold generates an alarm. An alarm or combinations of alarms can be linked to programmable action such as selective recording of measurements in a log, waveform capture, etc.

### Event log and maintenance registers

The Micrologic H offers the same event log and maintenance register functions as the Micrologic P. In addition, it produces a log of the minimums and maximums for each "real-time" value.

## Additional technical characteristics

### Setting the display language

System messages may be displayed in six different languages. The desired language is selected via the keypad.

### Protection functions

All current-based protection functions require no auxiliary source. Voltage-based protection functions are connected to AC power via a voltage measurement input built into the circuit breaker.

### Measurement functions

Measurement functions are independent of the protection functions. The high-accuracy measurement module operates independently of the protection module, while remaining synchronised with protection events.

### Measurement-calculation mode

An analogue calculation function dedicated to measurements enhances the accuracy of harmonic calculations and the power-quality indicators. The Micrologic H control unit calculates electrical magnitudes using  $1.5 \times I_n$  dynamics ( $20 \times I_n$  for Micrologic P).

Measurement functions implement the new "zero blind time" concept. Energies are calculated on the basis of the instantaneous power values, in the traditional and signed modes.

Harmonic components are calculated using the discrete Fourier transform (DFT).

### Accuracy of measurements (including sensors)

- voltage (V) 0.5 %
- current (A) 1.5 %
- frequency (Hz) 0.1 %
- power (W) and energy (Wh) 2 %
- total harmonic distortion 1 %.

### Stored information

The fine-setting adjustments, the last 100 events and the maintenance register remain in the control-unit memory even when power is lost.

### Time-stamping

Time-stamping is activated as soon as time is set manually or by a supervisor no external power supply module is required (max. drift of 1 hour per year).

### Reset

An individual reset, via the keypad or remotely, acts on alarms, minimum and maximum data, peak values, the counters and the indicators.

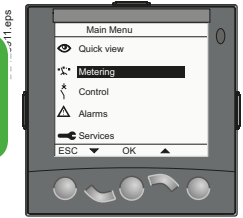
## Functions and characteristics

# Power Meter functions

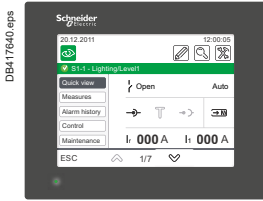
## Micrologic A/E/P/H control unit with COM option (BCM ULP) and COM Ethernet gateway

In addition to protection functions, Micrologic A/E/P/H control units offer all the functions of Power Meter products as well as operating-assistance for the circuit breaker.

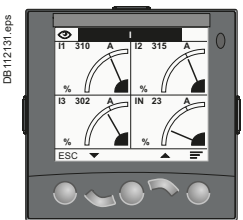
Micrologic A/E/P/H measurement functions are made possible by Micrologic intelligence and the accuracy of the sensors. They are handled by a microprocessor that operates independent of protection functions.



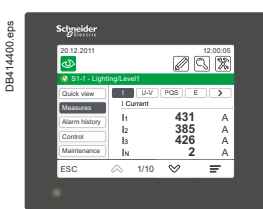
FDM121 display: navigation.



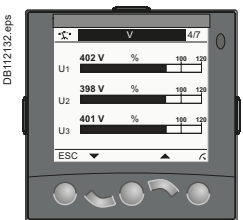
FDM128 display: navigation.



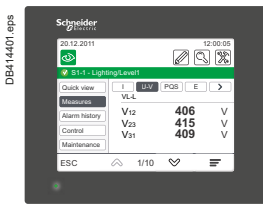
FDM121 display: current.



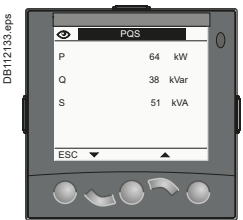
FDM128 display: current.



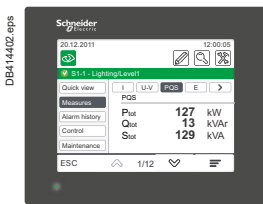
FDM121 display: voltage.



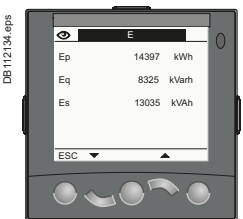
FDM128 display: voltage.



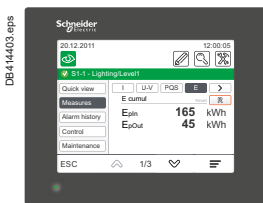
FDM121 display: power.



FDM128 display: power.



FDM121 display: consumption.  
Examples of measurement screens on the FDM121 display unit.



FDM128 display: consumption.

## Display

### FDM121 display unit (one to one)

The FDM121 switchboard display unit can be connected to a COM option (BCM ULP) using a breaker ULP cord to display all measurements on a screen (1). The result is a veritable 96 x 96 mm Power Meter.

The FMD121 display unit requires a 24 V DC power supply. The COM option (BCM ULP) unit is supplied by the same power supply via the breaker ULP cord connecting it to the FDM121.

(1) See page A-30.

### FDM128 display unit (one to eight)

Using an IFE Ethernet interface for LV breakers.

For all FDM, in addition to the information displayed on the Micrologic LCD, the FDM screen shows demand, power quality and maximeter/minimeter values along with histories and maintenance indicators.

## Measurements

### Instantaneous rms measurements

The Micrologic continuously display the RMS value of the highest current of the three phases and neutral (Imax). The navigation buttons can be used to scroll through the main measurements.

In the event of a fault trip, the trip cause is displayed.

The Micrologic A measures phase, neutral, ground fault currents.

The Micrologic E offers voltage, power, Power Factor, measurements in addition to the measurements provided by Micrologic A.

The Micrologic P/H offer frequency, cos.φ in addition to the measurements provided by Micrologic E.

### Maximeters / minimeters

Every instantaneous measurement provided by Micrologic A or E can be associated with a maximeter/minimeter. The maximeters for the highest current of the 3 phases and neutral, the demand current and power can be reset via the FDM display unit or the communication system.

### Energy metering

The Micrologic E/P/H also measures the energy consumed since the last reset of the meter. The active energy meter can be reset via Micrologic keypad or the FDM display unit or the communication system.

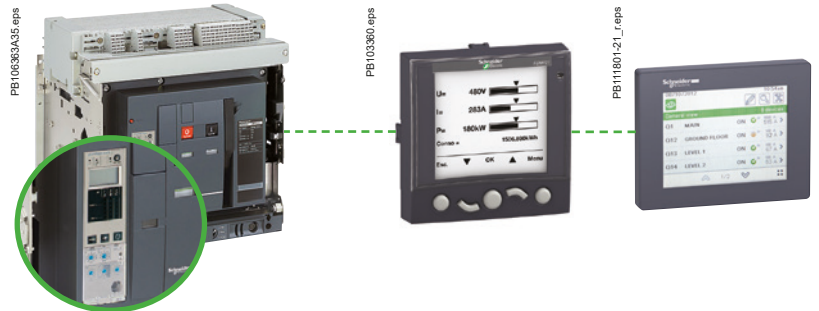
### Demand and maximum demand values

Micrologic E/P/H also calculates demand current and power values. These calculations can be made using a block or sliding interval that can be set from 5 to 60 minutes in steps of 1 minute. The window can be synchronised with a signal sent via the communication system. Whatever the calculation method, the calculated values can be recovered on a PC via Modbus communication.

Ordinary spreadsheet software can be used to provide trend curves and forecasts based on this data. They will provide a basis for load shedding and reconnection operations used to adjust consumption to the subscribed power.

### Power quality

Micrologic H calculates power quality indicators taking into account the presence of harmonics up to the 15th order, including the total harmonic distortion (THD) of current and voltage.



Micrologic A/E/P/H integrated Power Meter functions			Type		Display	
			A/E	P/H	Micrologic LCD	FDM display
<b>Display of protection settings</b>						
Pick-ups (A) and delays	All settings can be displayed	Ir, tr, lsd, tsd, li, lg, tg	A/E	P/H	■	-
<b>Measurements</b>						
<b>Instantaneous rms measurements</b>						
Currents (A)	Phases and neutral	I1, I2, I3, IN	A/E	P/H	■	■
	Average of phases	$I_{avg} = (I1 + I2 + I3) / 3$	A/E	P/H	-	■
	Highest current of the 3 phases and neutral	I <sub>max</sub> of I1, I2, I3, IN	A/E	P/H	■	■
	Ground fault (Micrologic 6)	% I <sub>g</sub> (pick-up setting)	A/E	P/H	■	■
	Current unbalance between phases	% I <sub>avg</sub>	-/E	P/H	-	■
Voltages (V)	Phase-to-phase	V12, V23, V31	-/E	P/H	■	■
	Phase-to-neutral	V1N, V2N, V3N	-/E	P/H	■	■
	Average of phase-to-phase voltages	$V_{avg} = (V12 + V23 + V31) / 3$	-/E	P/H	-	■
	Average of phase-to-neutral voltages	$V_{avg} = (V1N + V2N + V3N) / 3$	-/E	P/H	-	■
	Ph-Ph and Ph-N voltage unbalance	% V <sub>avg</sub> and % V <sub>avg</sub>	-/E	P/H	-	■
	Phase sequence	1-2-3, 1-3-2	-/-	P/H	■	■ <sup>(3)</sup>
Frequency (Hz)	Power system	f	-/-	P/H	■	■
Power	Active (kW)	P, total	-/E	P/H	■	■
		P, per phase	-/E	P/H	■ <sup>(2)</sup>	■
	Reactive (kVAR)	Q, total	-/E	P/H	■	■
		Q, per phase	-/-	P/H	■	■
	Apparent (kVA)	S, total	-/E	P/H	■	■
		S, per phase	-/-	P/H	■	■
	Power Factor	PF, total	-/E	P/H	■	■
		PF, per phase	-/-	P/H	■	■
Cos.φ	Cos.φ, total	-/-	P/H	■	■	
	Cos.φ, per phase	-/-	P/H	■	■	
<b>Maximeters / minimeters</b>						
	Associated with instantaneous rms measurements	Reset via FDM display unit and Micrologic keypad	A/E	P/H	■	■
<b>Energy metering</b>						
Energy	Active (kW), reactive (kVARh), apparent (kVAh)	Total since last reset	-/E	P/H	■	■
<b>Demand and maximum demand values</b>						
Demand current (A)	Phases and neutral	Present value on the selected window	-/E	P/H	■	■
		Maximum demand since last reset	-/E	P/H	■ <sup>(2)</sup>	■
Demand power	Active (kWh), reactive (kVAR), apparent (kVA)	Present value on the selected window	-/E	P/H	■	■
		Maximum demand since last reset	-/E	P/H	■ <sup>(2)</sup>	■
Calculation window	Sliding, fixed or com-synchronised	Adjustable from 5 to 60 minutes in 1 minute steps <sup>(1)</sup>	-/E	P/H	-	-
<b>Power quality</b>						
Total harmonic distortion (%)	Of voltage with respect to rms value	THDU, THDV of the Ph-Ph and Ph-N voltage	-/-	H	■	■
	Of current with respect to rms value	THDI of the phase current	-/-	H	■	■

(1) Available via the communication system only.

(2) Available for Micrologic P/H only.

(3) FDM121 only.

# Operating-assistance functions

## Micrologic A/E/P/H control unit with COM option (BCM ULP)

A

### Histories

- Trip indications in clear text in a number of user-selectable languages.
- Time-stamping: date and time of trip.



### Maintenance indicators

Micrologic control unit have indicators for, among others, the number of operating cycles, contact wear P/H, load profile and operating times (operating hours counter) of the Masterpact circuit breaker.

It is possible to assign an alarm to the operating cycle counter to plan maintenance. The various indicators can be used together with the trip histories to analyse the level of stresses the device has been subjected to.

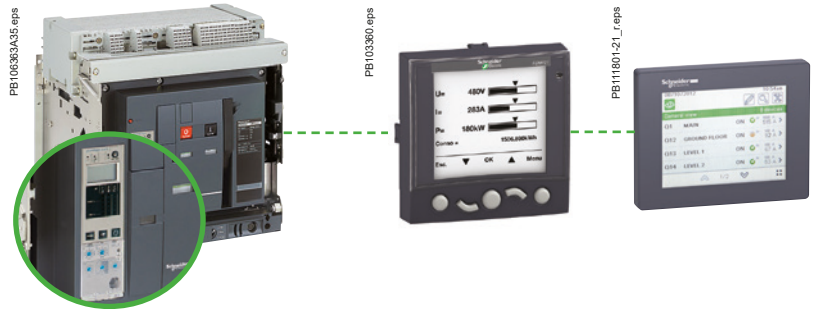


### Management of installed devices

Each circuit breaker equipped with a COM option (BCM ULP) can be identified via the communication system:

- serial number
- firmware version
- hardware version
- device name assigned by the user.

This information together with the previously described indications provides a clear view of the installed devices.



Micrologic A/E/P/H operating assistance functions			Type		Display	
			A/E	P/H	Micrologic LCD	FDM display
<b>Operating assistance</b>						
<b>Trip history</b>						
Trips	Cause of tripping	Ir, I <sub>sd</sub> , I <sub>i</sub> , I <sub>g</sub> , I <sub>n</sub>	- /E	P/H	■	■
<b>Maintenance indicators</b>						
Counter	Mechanical cycles	Assignable to an alarm	A/E	P/H	-	■
	Electrical cycles	Assignable to an alarm	A/E	P/H	-	■
	Hours	Total operating time (hours) <sup>(1)</sup>	A/E	P/H	-	-
Indicator	Contact wear	%	- / -	P/H	-	■
Load profile	Hours at different load levels	% of hours in four current ranges: 0-49 % I <sub>n</sub> , 50-79 % I <sub>n</sub> , 80-89 % I <sub>n</sub> and ≥ 90 % I <sub>n</sub>	A/E	P/H	-	■

(1) Available via the communication system only.

### Additional technical characteristics

#### Contact wear

Each time Masterpact opens, the Micrologic P/H trip unit measures the interrupted current and increments the contact-wear indicator as a function of the interrupted current, according to test results stored in memory. Breaking under normal load conditions results in a very slight increment. The indicator value may be read on the FDM display. It provides an estimation of contact wear calculated on the basis of the cumulative forces affecting the circuit breaker. When the indicator reaches 100 %, it is advised to inspect the circuit breaker to ensure the availability of the protected equipment.

#### Circuit breaker load profile

Micrologic A/E/P/H calculates the load profile of the circuit breaker protecting a load circuit. The profile indicates the percentage of the total operating time at four current levels (% of breaker I<sub>n</sub>):

- 0 to 49 % I<sub>n</sub>
- 50 to 79 % I<sub>n</sub>
- 80 to 89 % I<sub>n</sub>
- ≥ 90 % I<sub>n</sub>.

This information can be used to optimise use of the protected equipment or to plan ahead for extensions.

# Switchboard-display functions

## Micrologic A/E/P/H control unit with COM option (BCM ULP)

Micrologic measurement capabilities come into full play with the FDM121 switchboard display. It connects to COM option (BCM ULP) via a breaker ULP cord and displays Micrologic information. The result is a true integrated unit combining a circuit breaker and a Power Meter. Additional operating assistance functions can also be displayed.

A

### FDM121 switchboard display

An FDM121 switchboard display unit can be connected to a ULP IMU using a prefabricated cord to display all measurements, alarms, histories and event tables, maintenance indicators, management of installed devices on a screen. The result is a veritable 96 x 96 mm Power Meter.

The FMD121 display unit requires a 24 V DC power supply.

The FDM121 is a switchboard display unit that can be integrated in the Compact NSX100 to 630 A, Powerpact H/J/L/P/R, compact NS or Masterpact systems. It uses the sensors and processing capacity of the Micrologic trip unit. It is easy to use and requires no special software or settings. It is immediately operational when connected to the Compact NSX by a simple cord.

Also, it provides monitoring and control with the use of the I/O application module, the motor mechanism module, or the Breaker Status module.

The FDM121 is a large display, but requires very little depth. The anti-glare graphic screen is backlit for very easy reading even under poor ambient lighting and at sharp angles.

### Display of Micrologic measurements and alarms

The FDM121 is intended to display Micrologic 5 / 6 measurements, alarms and operating information. It cannot be used to modify the protection settings.

Measurements may be easily accessed via a menu. All user-defined alarms are automatically displayed. The display mode depends on the priority level selected during alarm set-up:

- high priority: a pop-up window displays the time-stamped description of the alarm and the orange LED flashes
- medium priority: the orange "Alarm" LED goes steady on
- low priority: no display on the screen.

All faults resulting in a trip automatically produce a high-priority alarm, without any special settings required. In all cases, the alarm history is updated. Micrologic saves the information in its non-volatile memory in the event of an FDM121 power failure.

### Status indications and remote control

When the circuit breaker is equipped with the Breaker Status Module, the FDM121 display can also be used to view circuit breaker status conditions:

- O/F: ON/OFF
- SD: trip indication
- SDE: Fault-trip indication (overload, short-circuit, ground fault).

When the circuit breaker system is equipped with the I/O application module, the FDM121 can monitor and control:

- cradle management
- circuit breaker operation
- light and load control
- custom application.

When the circuit breaker system is equipped with the motor mechanism module, the FDM121 offers remote closing and opening control.

### Main characteristics

- 96 x 96 x 30 mm screen requiring 10 mm behind the door (or 20 mm when the 24 V power supply connector is used).
  - White backlighting.
  - Wide viewing angle: vertical  $\pm 60^\circ$ , horizontal  $\pm 30^\circ$ .
  - High resolution: excellent reading of graphic symbols.
  - Alarm LED: flashing orange for alarm pick-up, steady orange after operator reset if alarm condition persists.
  - Operating temperature range  $-10^\circ\text{C}$  to  $+55^\circ\text{C}$ .
  - CE / UL / CSA marking (pending).
  - 24 V DC power supply, with tolerances 24 V  $-20\%$  (19.2 V) to 24 V  $+10\%$  (26.4 V).
- When the FDM121 is connected to the communication network, the 24 V DC can be supplied by the communication system wiring system.
- Consumption 40 mA.

### Mounting

The FDM121 is easily installed in a switchboard.

- Standard door cut-out 92 x 92 mm.
- Attached using clips.

To avoid a cut-out in the door, an accessory is available for surface mounting by drilling only two 22 mm diameter holes.

The FDM121 degree of protection is IP54 in front. IP54 is maintained after switchboard mounting by using the supplied gasket during installation.

### Connection

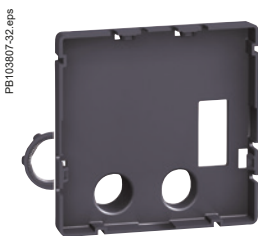
The FDM121 is equipped with:

- a 24 V DC terminal block:
  - plug-in type with 2 wire inputs per point for easy daisy-chaining
  - power supply range of 24 V DC  $-20\%$  (19.2 V) to 24 V DC  $+10\%$  (26.4 V).

A 24 V DC type auxiliary power supply must be connected to a single point on the ULP system. The FDM121 display unit has a 2-point screw connector on the rear panel of the module for this purpose. The ULP module to which the auxiliary power supply is connected distributes the supply via the ULP cable to all the ULP modules connected to the system and therefore also to Micrologic.



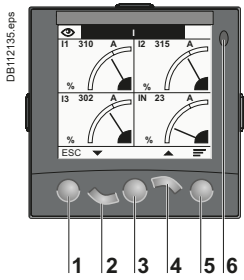
FDM121 display.



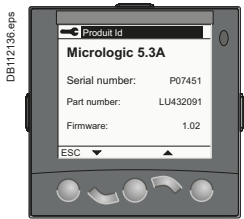
Surface mount accessory.



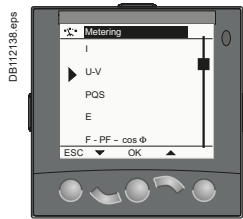
Connection with FDM121 display unit.



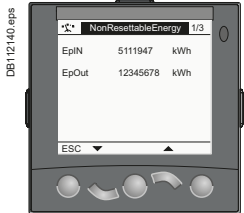
- 1 Escape
- 2 Down
- 3 OK
- 4 Up
- 5 Context
- 6 Alarm LED



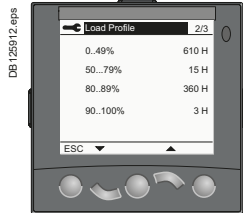
Product identification.



Metering: sub-menu.



Metering: meter.



Services.

■ two RJ45 jacks.

The Micrologic connects to the internal communication terminal block on the Masterpact via the breaker ULP cord. Connection to one of the RJ45 connectors on the FDM121 automatically establishes communication between the Micrologic and the FDM121 and supplies power to the Micrologic measurement functions. When the second connector is not used, it must be fitted with a line terminator.

**Navigation**

Five buttons are used for intuitive and fast navigation.

The "Context" button may be used to select the type of display (digital, bargraph, analogue).

The user can select the display language (Chinese, English, French, German, Italian, Portuguese, Spanish, etc.).

**Screens**

**Main menu**

When powered up, the FDM121 screen automatically displays the ON/OFF status of the device.

- Quick view
- Alarms
- Metering
- Services.
- Control

When not in use, the screen is not backlit. Backlighting can be activated by pressing one of the buttons. It goes off after 3 minutes.

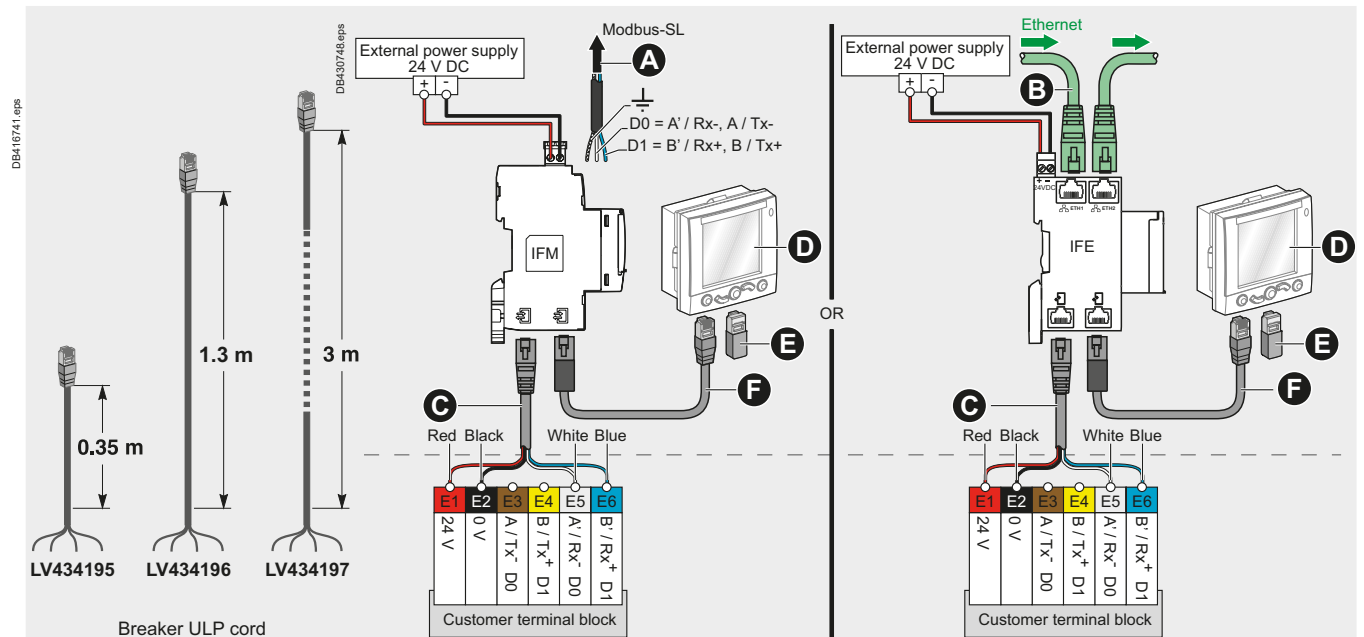
**Fast access to essential information**

■ "Quick view" provides access to five screens that display a summary of essential operating information (I, U, f, P, E, THD, circuit breaker On / Off).

**Access to detailed information**

- "Metering" can be used to display the measurement data (I, U-V, f, P, Q, S, E, THD, PF) with the corresponding min/max values.
- Alarms displays active alarms and the alarm history.
- Services provides access to the operation counters, energy and maximeter reset function, maintenance indicators, identification of modules connected to the internal bus and FDM121 internal settings (language, contrast, etc.).

**Communication components and FDM121 connections**



**Connections**

■ Masterpact is connected to the ULP devices (FDM121 display, IFM, IFE or I/O) unit via the breaker ULP cord.

- cord available in three lengths: 0.35 m, 1.3 m and 3 m.
- lengths up to 10 m possible using extensions.

- A** Modbus network
- B** Ethernet network
- C** Breaker ULP cord

- D** FDM121 display
- E** ULP termination
- F** ULP cable



# Switchboard-display functions

## Micrologic A/E/P/H control unit with COM Ethernet gateway

Micrologic measurement capabilities come into full play with the FDM128 switchboard display. It connects to Ethernet communication via RJ45 port and displays Micrologic information. The result is a true integrated unit combining a circuit breaker and a Power Meter. Additional operating assistance functions can also be displayed.

A

### FDM128 switchboard display

The FDM128 is an intelligent Ethernet display. It collects the data from up to 8 devices via Ethernet network.

The FDM128 switchboard display unit can be connected to a Micrologic COM option (BCM ULP via IFE). It uses the sensors and processing capacity of the Micrologic control unit. It is easy to use and requires no special software or settings. The FDM128 is a large display, but requires very little depth. The anti-glare graphic screen is backlit for very easy reading even under poor ambient lighting and at sharp angles.

FDM128 switchboard display is designed to manage up to 8 devices (Masterpact NT/NW, Compact NS, Compact NSX or Smartlink).

### Display of Micrologic measurements and trips

The FDM128 is intended to display Micrologic A/E measurements, trips and operating information. It cannot be used to modify the protection settings.

Measurements may be easily accessed via a menu.

Trips are automatically displayed.

A pop-up window displays the time-stamped description of the trip.

### Status indications

When the circuit breaker is equipped with the Breaker Status Command Module (BSCM) and NSX cord, the FDM128 display can also be used to view circuit breaker status conditions:

- O/F: ON/OFF
- SDE: Fault-trip indication (overload, short-circuit, ground fault)
- CE, CD cradle management with I/O application module.

### Remote control

When the circuit breaker is equipped with the BSCM, NSX cord and Communication Motor Mechanism (MTC), the FDM128 display can also be used to control (open/close) the circuit breaker.

### Main characteristics

- 115.2 x 86.4 mm with 5.7" QVGA display 320 x 240 pixels.
- Color TFT LCD, LED backlight.
- Wide viewing angle: vertical  $\pm 80^\circ$ , horizontal  $\pm 70^\circ$ .
- High resolution: excellent reading of graphic symbols.
- Operating temperature range  $-10^\circ\text{C}$  to  $+55^\circ\text{C}$ .
- CE / UL / CSA marking (pending).
- 24 V DC power supply, with tolerances 24 V (limit 20.4 - 28.8 V DC).
- Consumption  $\leq 6.8\text{ W}$ .

### Mounting

The FDM128 is easily installed in a switchboard.

- Standard door hole  $\varnothing 22\text{ mm}$ .

The FDM128 degree of protection is IP65 in front and IP54.

### Connection

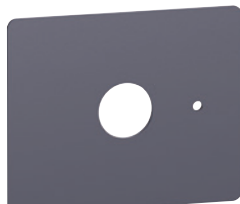
The FDM128 is equipped with:

- a 24 V DC terminal block:
  - power supply range of 24 V DC (limit 20.4 - 28.8 V DC). The FDM128 display unit has a 2-point screw connector on the rear panel of the module for this purpose.
  - One RJ45 Ethernet jacks.

The Micrologic connects to the internal communication terminal block on the Masterpact via the breaker ULP cord and Ethernet connection through IFE.



FDM128 display.



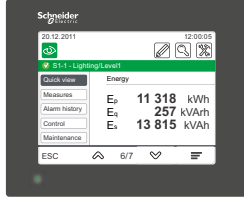
Surface mount accessory.



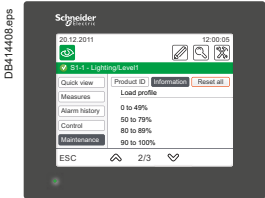




Product identification.



Metering: meter.



Services.

## Navigation

Touch screen is used for intuitive and fast navigation. The user can select the display language (Chinese, English, French, German, Italian, Portuguese, Spanish, etc.).

## Screens

### Main menu



Quick view



Alarms



Metering



Maintenance.



Control

When not in use, the screen is automatically shifted to low back-lighting.

### Fast access to essential information

■ "Quick view" provides access to five screens that display a summary of essential operating information (I, U, f, P, E, THD, circuit breaker On / Off).

### Access to detailed information

■ "Metering" can be used to display the measurement data (I, U-V, f, P, Q, S, E, THD, PF) with the corresponding min/max values.

■ Alarms displays the trip history.

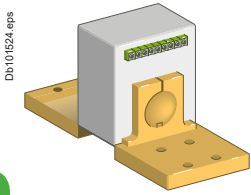
■ Services provides access to the operation counters, energy and maximeter reset function, maintenance indicators, identification of modules connected to the internal bus and FDM128 internal settings (language, contrast, etc.).



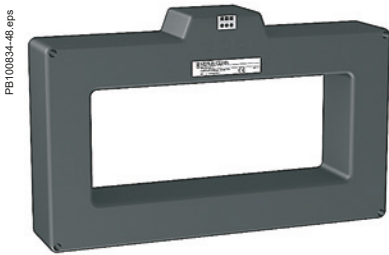
# Micrologic control units

## Accessories and test equipment

A



External sensor (CT).



Rectangular sensor.



External sensor for source ground return protection.



Long time rating plug.



External 24 V DC power supply module.

### External sensors

#### External sensor for earth-fault and neutral protection

The sensors, used with the 3P circuit breakers, are installed on the neutral conductor for:

- neutral protection (with Micrologic P and H)
- residual type earth-fault protection (with Micrologic A, E, P and H).

The rating of the sensor (CT) must be compatible with the rating of the circuit breaker:

- NT06 to NT16: TC 400/1600
- NW08 to NW20: TC 400/2000
- NW25 to NW40: TC 1000/4000
- NW40b to NW63: TC 4000/6300.

For oversized neutral protection the sensor rating must be compatible with the measurement range:  $1.6 \times I_n$  (available up to NW40 and NT16).

#### Rectangular sensor for earth-leakage protection

The sensor is installed around the busbars (phases + neutral) to detect the zero-phase sequence current required for the earth-leakage protection. Rectangular sensors are available in two sizes.

Inside dimensions (mm)

- 280 x 115 up to 1600 A for Masterpact NT and NW / L1
- 470 x 160 up to 3200 A for Masterpact NW / L2.

#### External sensor for source ground return protection (SGR)

The sensor is installed around the connection of the transformer neutral point to earth and connects to the Micrologic 6.0 control unit via an MDGF module to provide the source ground return (SGR) protection.

#### Voltage measurement inputs

Voltage measurement inputs are required for power measurements (Micrologic P or H) and for earth-leakage protection (Micrologic 7...).

As standard, the control unit is supplied by internal voltage measurement inputs placed downstream of the pole for voltages between 220 and 690 V AC. On request, it is possible to replace the internal voltage measurement inputs by an external voltage input (PTE option) which enables the control unit to draw power directly from the distribution system upstream of the circuit breaker. An 3 m cable with ferrite comes with this PTE option.

### Long-time rating plug

Four interchangeable plugs may be used to limit the long-time threshold setting range for higher accuracy.

The time delay settings indicated on the plugs are for an overload of  $6 I_r$  (for further details, see the characteristics on [page A-11](#) and [page A-15](#)).

As standard, control units are equipped with the 0.4 to 1 plug.

#### Setting ranges

Standard	$I_r = I_n \times \dots$	0.4	0.5	0.6	0.7	0.8	0.9	0.95	0.98	1
Low-setting option	$I_r = I_n \times \dots$	0.4	0.45	0.50	0.55	0.60	0.65	0.70	0.75	0.8
High-setting option	$I_r = I_n \times \dots$	0.80	0.82	0.85	0.88	0.90	0.92	0.95	0.98	1
Off plug	No long-time protection ( $I_r = I_n$ for lsd setting)									

**Important:** long-time rating plugs must always be removed before carrying out insulation or dielectric withstand tests.

### External 24 V DC power-supply module (AD)

The external power-supply module makes it possible to use the display even if the circuit breaker is open or not supplied (for the exact conditions of use, see the "electrical diagrams" part of this catalogue).

This module powers both the control unit (100 mA) and the M2C and M6C programmable contacts (100 mA).

With the Micrologic A/E control unit, this module makes it possible to display currents of less than 20 % of  $I_n$ .

With the Micrologic P and H, it can be used to display fault currents after tripping.

If the COM option is used, a second dedicated power supply shall be used.

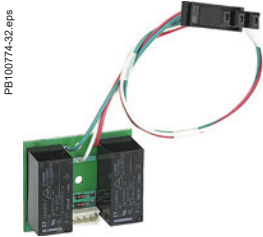
We recommend to use the AD power supply due to its low stray primary secondary capacitance. Good operation of the Micrologic trip unit in noisy environment is not guaranteed with other power supplies.

#### Characteristics

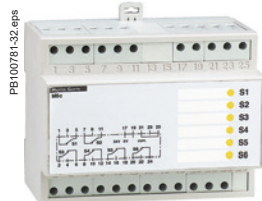
- Power supply:
  - 110/130, 200/240, 380/415 V AC, 50/60 Hz (+10 % -15 %)
  - 24/30, 48/60, 100/125 V DC (+20 % -20 %).
- Output voltage: 24 V DC  $\pm 5$  %, 1 A.
- Ripple < 1 %.
- Dielectric withstand : 3.5 kV rms between input/output, for 1 minute.
- Overvoltage category: as per IEC 60947-1 cat. 4.



Battery module



M2C.



M6C.



Lead-seal cover.



Portable test kit.

### Battery module

The battery module maintains display operation and communication with the supervisor if the power supply to the Micrologic control unit is interrupted. It is installed in series between the Micrologic control unit and the AD module.

#### Characteristics

- Battery run-time: 4 hours (approximately).
- Mounted on vertical backplate or symmetrical rail.

### M2C, M6C programmable contacts

These contacts are optional equipment for the Micrologic E, P and H control units. They are described with the indication contacts for the circuit breakers.

Micrologic		Type E	Types P, H
Characteristics		M2C	M2C/M6C
Minimum load		100 mA/24 V	100 mA/24 V
Breaking capacity (A) p.f.: 0.7	V AC 240	5	5
	380	3	3
	V DC 24	1.8	1.8
	48	1.5	1.5
	125	0.4	0.4
	250	0.15	0.15

M2C: 24 V DC power supplied by control unit (consumption 100 mA).  
M6C: external 24 V DC power supply required (consumption 100 mA).

### Spare parts

#### Lead-seal covers

A lead-seal cover controls access to the adjustment dials.

When the cover is closed:

- it is impossible to modify settings using the keypad unless the settings lockout pin on the cover is removed
- the test connector remains accessible
- the test button for the earth-fault and earth-leakage protection function remains accessible.

#### Characteristics

- Transparent cover for basic Micrologic and Micrologic A, E control units
- Non-transparent cover for Micrologic P and H control units.

#### Spare battery

A battery supplies power to the LEDs identifying the tripping causes.

Battery service life is approximately ten years.

A test button on the front of the control unit is used to check the battery condition. The battery may be replaced on site when discharged.

### Test equipment

#### Hand-held test kit

The hand-held mini test kit may be used to:

- check operation of the control unit and the tripping and pole-opening system by sending a signal simulating a short-circuit
- supply power to the control units for settings via the keypad when the circuit breaker is open (Micrologic P and H control units).

Power source: standard LR6-AA battery.

#### Full function test kit

The test kit can be used alone or with a supporting personal computer.

The test kit without PC may be used to check:

- the mechanical operation of the circuit breaker
- the electrical continuity of the connection between the circuit breaker and the control unit
- operation of the control unit:
  - display of settings
  - automatic and manual tests on protection functions
  - test on the zone-selective interlocking (ZSI) function
  - inhibition of the earth-fault protection
  - inhibition of the thermal memory.

The test kit with PC offers in addition:

- the test report (software available on request).



# Functions and characteristics

## Enerlin'X communication system

### Products overview

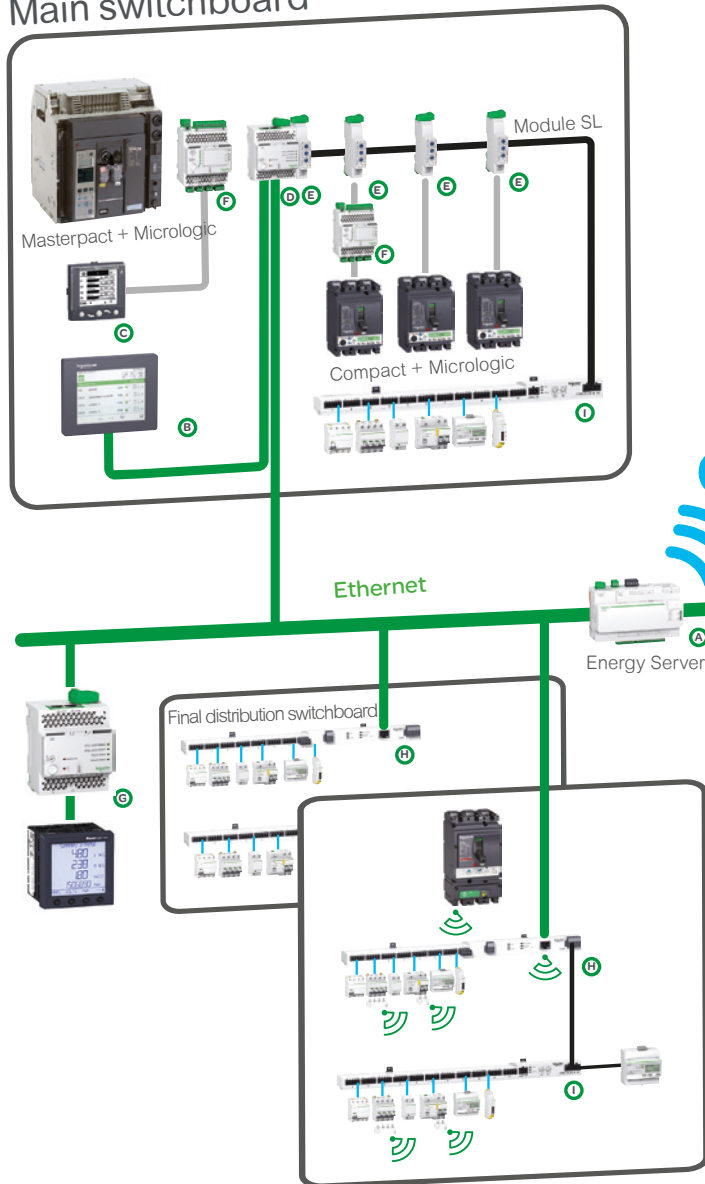
Enerlin'X communication system provides access to status, electrical values and devices control using Ethernet and Modbus-SL communication protocols.

**Ethernet** has become the universal link between switchboards, computers and communication devices inside the building. The large amount of information which can be transferred makes the connection of Enerlin'X digital system to hosted web services of Schneider Electric a reality. More advantages are offered to integrators thanks to configuration web pages available remotely or on the local Ethernet network.

**Modbus SL** is the most widely used communication protocol in industrial networks. It operates in master-slave mode. The devices (slaves) communicate one after the other with a gateway (master).









A

### Main switchboard



**ULP** is a fast communication link dedicated to circuit breaker monitoring and control.

- Ethernet
- Modbus
- ULP
- Hard wired
- Sigle Wireless IEEE 802.15.4

Enerlin'X communication devices and displays								
	Name	Function	Port		Bin. Input	Analog. Input	Bin. Output	Cial. Ref.
			(to device)	(to server)				
<b>A</b>	 Com'X 200	Energy Server with Ethernet Gateway <sup>(1)</sup> function	Modbus Master	Ethernet cable + WiFi	6	2	-	EBX200
<b>B</b>	 FDM128	Ethernet LCD colour touch screen	-	Ethernet	-	-	-	LV434128
<b>C</b>	 FDM121	LCD display for circuit breaker	ULP	-	-	-	-	TRV00121
<b>D</b>		IFE interface + gateway	Ethernet interface <sup>(2)</sup> & Gateway	Modbus Master & ULP	Ethernet	-	-	LV434002
		IFE interface	Ethernet interface for circuit breakers	ULP	Ethernet	-	-	-
<b>E</b>	 Acti9 Smartlink Ethernet	Ethernet interface with Input/Output functions & Gateway	Modbus Master	Ethernet	14	2	7	A9XMEA08
<b>F</b>	 Acti9 Smartlink Modbus	Modbus interface with Input/Output functions	-	Modbus Slave	22	-	11	A9XMSB11
<b>G</b>	 IFM	Modbus interface for circuit breaker	ULP	Modbus Slave	-	-	-	LV434000
<b>H</b>	 I/O	Input/Output application module for circuit breaker	ULP	ULP	6	-	3	LV434063

(1) Gateway: transfers data from a network to another (ie.: Modbus to Ethernet).  
 (2) Interface: transfers data from an equipment to a network. (ie.: ULP to Modbus).



Plug and play commissioning tools give a real peace of mind to panel builders as their panels can be functionally checked before delivery.

### Commissioning / maintenance tools

#### Web pages embedded into Com'X 200 and Acti9 Smartlink Ethernet gateways

Access with a standard PC and common browser:

- commissioning,
- communication diagnosis,
- functional tests...

#### Electrical Asset Manager

Loaded into a standard PC Error free commissioning. Time saving, easier management and maintenance thanks to the advanced services:

- project management,
- configuration of controllers, gateways, ...
- test of communication networks, diagnostic report...

# Communication

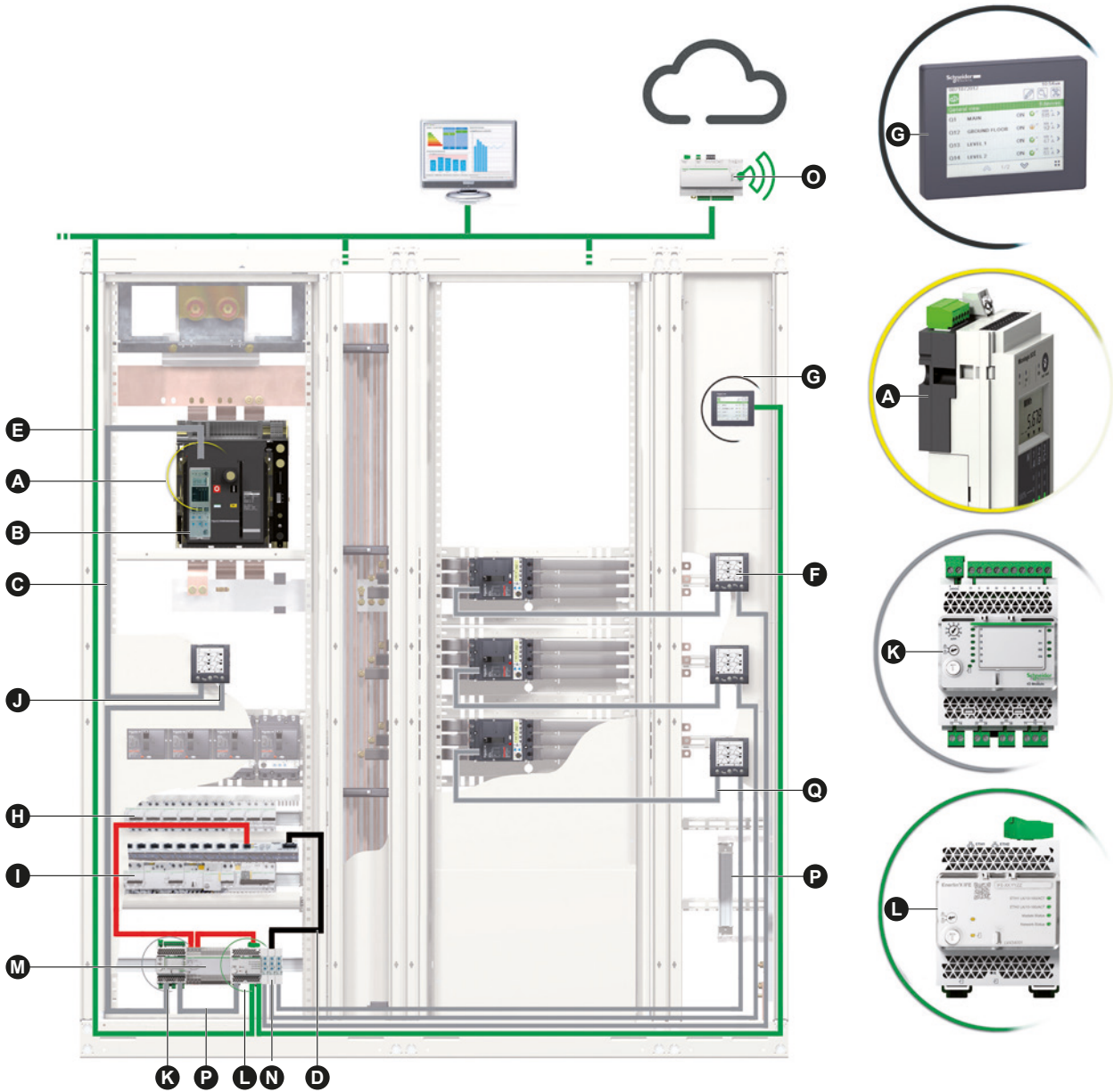
## Communication wiring system

### Wiring system ULP

The wiring system is designed for low-voltage power switchboards. Installation requires no tools or special skills.

The prefabricated wiring ensures both data transmission (Modbus protocol) and 24 V DC power distribution for the communications modules on the Micrologic control units.

A



- A** BCM ULP: Breaker Communication Module with ULP port
- B** Micrologic control unit
- C** Breaker ULP cord
 

0.35 m	LV434195
1.3 m	LV434196
3 m	LV434197
- D** Modbus cable
- E** Ethernet cable
- F** FDM121: Front Display Module      TRV00121
- G** FDM128: Front Display Module      LV434128
- H** Smartlink      A9XMSB11
- I** Acti9
- J** ULP line terminators      TRV00880
- K** I/O (Input/Output) application module      LV434063

- L** IFE: Ethernet interface      LV434002 or LV434001
  - M** External 24 V DC power supply module
  - N** IFM: Modbus-SL interface      LV434000
  - O** Com'X 200
  - P** ULP cable
 

0.3 m	TRV00803
0.6 m	TRV00806
1 m	TRV00810
2 m	TRV00820
3 m	TRV00830
5 m	TRV00850
  - Q** NSX cord
 

0.35 m	LV434200
1.3 m	LV434201
3 m	LV434202
- Ethernet  
— Modbus  
— ULP  
— 24 V DC

# Overview of functions

PB104834-eps



A: Micrologic with ammeter  
 E: Micrologic "Energy"  
 P: Micrologic "Power"  
 H: Micrologic "Harmonics"

**Note:** see the description of the Micrologic control units for further details on protection and alarms, measurements, waveform capture, histories, logs and maintenance indicators.

### Four functional levels

The Masterpact can be integrated into Ethernet and Modbus communication environment.

There are four possible functional levels that can be combined.

	Switch-disconnectors	Circuit breaker			
<b>Status indications</b>					
ON/OFF (O/F)	■	A	E	P	H
Spring charged CH	■	A	E	P	H
Ready to close	■	A	E	P	H
Fault-trip SDE	■	A	E	P	H
Connected / disconnected / test position CE/CD/CT (I/O application module only)	■	A	E	P	H
<b>Controls</b>					
MX1 open	■	A	E	P	H
XF close	■	A	E	P	H
<b>Measurements</b>					
Instantaneous measurement information	■	A	E	P	H
Averaged measurement information	■		E	P	H
Maximeter / minimeter	■	A	E	P	H
Energy metering	■		E	P	H
Demand for current and power	■		E	P	H
Power quality	■				H
<b>Operating assistance</b>					
Protection and alarm settings		A	E	P	H
Histories		A	E	P	H
Time stamped event tables		A	E	P	H
Maintenance indicators		A	E	P	H



### Modbus principle

The Modbus RS 485 (RTU protocol) system is an open bus on which communicating Modbus devices (Compact NS with Modbus COM, Power Meter PM700, PM800, Sepam, VigiloHM, Compact NSX, etc.) are installed. All types of PLCs and microcomputers may be connected to the bus.

#### Addresses

The Modbus communication parameters (address, baud rate, parity) are entered using the keypad on the Micrologic A, E, P, H. For a switch-disconnector, it is necessary to use the Electrical Asset Manager or RSU (Remote Setting Utility) Micrologic utility.

#### Number of devices

The maximum number of devices that may be connected to the Modbus bus depends on the type of device (Compact with Modbus COM, PM700, PM800, Sepam, VigiloHM, Compact NSX, etc.), the baud rate (19200 is recommended), the volume of data exchanged and the desired response time. The RS 485 physical layer offers up to 32 connection points on the bus (1 master, 31 slaves).

A fixed device requires only one connection point (communication module on the device). A drawout device uses two connection points (communication modules on the device and on the chassis).

The number must never exceed 31 fixed devices or 15 drawout devices.

#### Length of bus

The maximum recommended length for the Modbus bus is 1200 meters.

#### Bus power source

A 24 V DC power supply is required (less than 20 % ripple, insulation class II).

### Ethernet principle

Ethernet is a data link and physical layer protocol defined by IEEE 802.10 and 100 Mbps specifications that connects computer or other Ethernet devices. Ethernet is an asynchronous Carrier Sense Multiple Access with Collision detection (referred as CSMA/CD) protocol. Carrier Sense means that the hosts can detect whether the medium (coaxial cable) is idle or busy. Multiple Access means that multiple hosts can be connected to the common medium. Collision Detection means a host detects whether its transmission has collided with the transmission of another host (or hosts).

IFE Ethernet interface can be connected to a PC or a laptop over Ethernet. The maximum length of Ethernet cable is 100 meters. IFE Ethernet interface + gateway provides a Modbus TCP/IP gateway over Ethernet to enable Modbus TCP communication from a Modbus TCP master to any Modbus slave devices connected to it. The maximum active Modbus TCP client connection is twelve.

IFE Ethernet interface has an embedded web server (web page).

The Modbus RS 485 (RTU protocol) system is an open bus on which communicating Modbus devices (Compact NS with Modbus COM, Power Meter PM700, PM800, Sepam, VigiloHM, Compact NSX, etc.) are installed. All types of PLCs and microcomputers may be connected to the bus.

# Communication

## COM option in Masterpact

All the Masterpact devices can be fitted with the communication function thanks to the COM option. Masterpact uses the Ethernet or Modbus communications protocol for full compatibility with the supervision management systems. Eco COM is limited to the transmission of metering data and status. It is not used to communicate controls.

A



PB10874-20 eps

BCM ULP.



DB410829 eps

I/O application module.

**For fixed and Drawout devices, the common communication option is made up of:**

- a BCM ULP module, installed behind the Micrologic control unit and supplied with its set of sensors (OF, SDE, PF and CH micro switches) its kit for connection to XF and MX1 communicating voltage releases and its COM terminal block (inputs E1 to E6). This module is independent of the control unit. It receives and transmits information on the communication network. An infra-red link transmits data between the control unit and the communication module.

Consumption: 30 mA, 24 V.

- IFM, this module required for connection to the network, contains the Modbus address (1 to 99) declared by the user via the two dials in front. It automatically adapts (baud rate, parity) to the Modbus network in which it is installed.

**Or**

- IFE, the Ethernet interface for LV circuit breaker enables an intelligent modular unit (IMU), for example a Masterpact NT/NW or Compact NSX circuit breaker to be connected to an Ethernet network. Each circuit breaker has its own IFE and a corresponding IP address.

**For drawout device the Cradle Management option must be added:**

I/O (Input/Output) application module for LV breaker, the I/O application module is delivered with withdrawable devices ordered with the COM option, for cradle management. It must be installed on a DIN rail near the device. It must be connected to the ULP system and to the position contacts (CD, CT, CE) that transmit the position of the device in the cradle.

**For communicating remote control, option with XF and MX1 communicating voltage releases must be added:**

The XF and MX1 communicating voltage releases are equipped for connection to the "device" communication module.

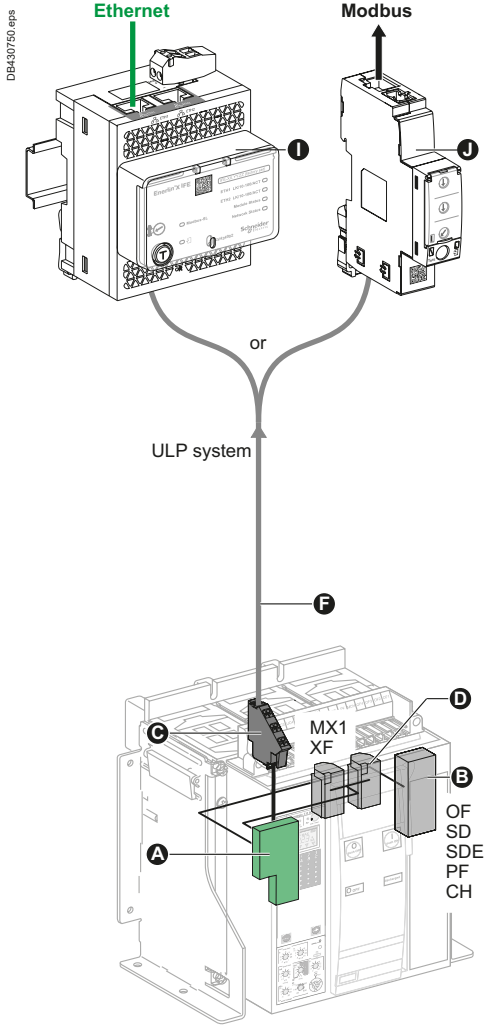
The remote-tripping function (MX2 or MN) are independent of the communication option. They are not equipped for connection to the "device" communication module.



# Communication architecture

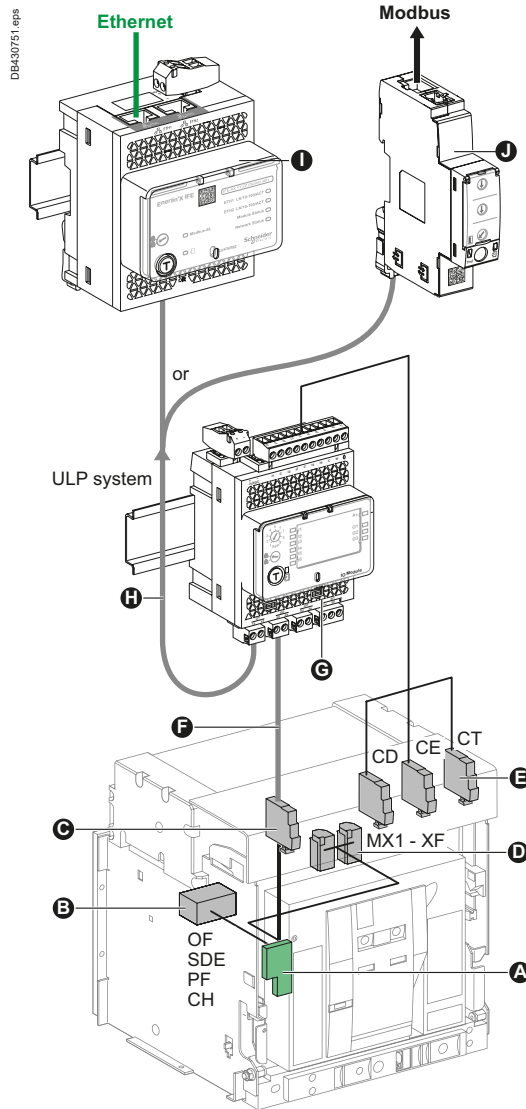
## Electrical operated

### Fixed device



- A** BCM ULP
- B** OF, SDE ... microswitches
- C** COM terminal block (E1 to E6)
- D** MX1 and XF communicating voltage releases
- E** CE, CD and CT contacts

### Drawout device



- F** Breaker ULP cord
- G** I/O application module
- H** ULP cable
- I** IFE module
- J** IFM module

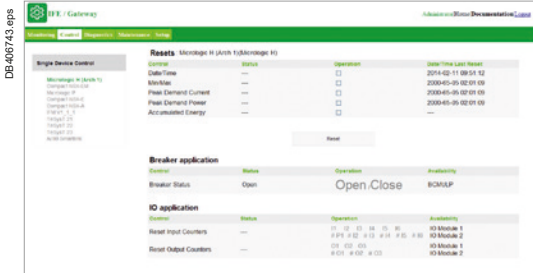
A



IFE interface, ref.: LV434001



IFE interface + gateway, ref.: LV434002



## IFE interface, IFE interface + gateway description

### Introduction

The IFE interface and IFE interface + gateway enable LV circuit breakers as Masterpact NT/NW, Compact NSX or Powerpact to be connected to an Ethernet network.

### IFE interface: ref. LV434001

Provides an Ethernet access to a single LV circuit breaker.

#### Function

Interface - one circuit breaker is connected to the IFE interface via its ULP port.

### IFE interface + gateway: ref. LV434002

Provides an Ethernet access to one or several LV circuit breakers.

#### Functions

- Interface - one circuit breaker is connected to the IFE interface via its ULP port.
- Gateway: several circuit breakers on a Modbus network are connected via the IFE interface + gateway master Modbus port.

### IFE interface, IFE interface + gateway features

- Dual 10/100 Mbps Ethernet port for simple daisy chain connection.
- Device profile web service for discovery of the IFE interface, IFE interface + gateway on the LAN.
- ULP compliant for localization of the IFE interface in the switchboard.
- Ethernet interface for Compact, Masterpact and Powerpact circuit breakers.
- Gateway for Modbus-SL connected devices (IFE interface + gateway only).
- Embedded set-up web pages.
- Embedded monitoring web pages.
- Embedded control web pages.
- Built-in e-mail alarm notification.

### Mounting

The IFE interface, IFE interface + gateway are DIN rail mounting devices. A stacking accessory enables the user to connect several IFMs (ULP to Modbus interfaces) to an IFE interface + gateway without additional wiring.

### 24 V DC power supply

The IFE interface, IFE interface + gateway must always be supplied with 24 V DC. The IFMs stacked to an IFE interface + gateway are supplied by the IFE interface + gateway, thus it is not necessary to supply them separately. It is recommended to use an UL listed and recognized limited voltage/limited current or a class 2 power supply with a 24 V DC, 3 A maximum.

### IFE interface, IFE interface + gateway firmware update

The firmware can be updated using:

- FTP
- customer engineering tool.

### Required circuit breaker communication modules

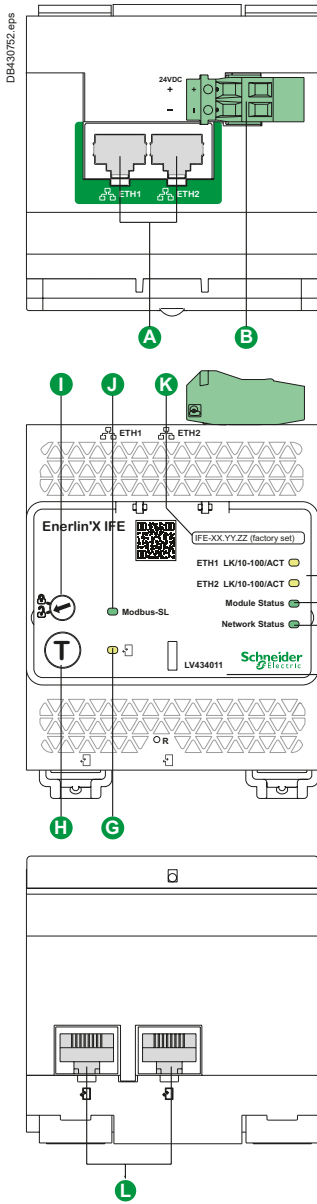
The connection to IFE interface or IFE interface + gateway requires a communication module embedded into the circuit breaker:

- Masterpact NT/NW (Fixed or drawout): BCM ULP communication module
- Drawout Masterpact NT/NW: BCM ULP and its respective I/O (Input/Output) application module.

All connection configurations for Masterpact NT/NW require the breaker ULP cord. The insulated NSX cord is mandatory for system voltages greater than 480 V AC. When the second ULP RJ45 connector is not used, it must be closed with an ULP terminator (TRV00880).

### Network communication interface

Characteristic		Value
Type of interface module		Modbus RTU, RS485 serial connection Modbus TCP/IP Ethernet
Transmission	Modbus RS485	Transfer rate: 9,600...19,200 Baud Medium Double shielded twisted pair Impedance 120 Ω
	Ethernet	Transfer rate : 10/100 Mbps Medium STP, Cat5e, straight cable
Structure	Type	Modbus, Ethernet
	Method	Master/Slave
Device type	Modbus	Master
	Ethernet	Server
Turnaround time	Modbus	10 ms
	Ethernet	1 ms
Maximum length of cable	Modbus	1000 m
	Ethernet	100 m
Type of bus connector	Modbus	4-pin connector
	Ethernet	RJ45 (Shielded)



- A** Ethernet 1 and Ethernet 2 communication port.
- B** 24 V DC power supply terminal block.
- C** Ethernet communication LEDs:
  - yellow: 10 Mb
  - green: 100 Mb.
- D** Module status LED:
  - steady off: no power
  - steady green: device operational
  - steady red: major fault
  - flashing green: standby
  - flashing red: minor fault
  - flashing green/red: self-test.
- E** Network status LED:
  - steady off: not power/no valid IP address
  - steady green: connected, valid IP address
  - steady orange: default IP address
  - steady red: duplicated IP address
  - flashing green/red: Self-test.
- F** Sealable transparent cover.
- G** ULP status LED.
- H** Test button (accessible closed cover).
- I** Locking pad.
- J** Modbus traffic status LED (LV434002 only).
- K** Device name label.
- L** ULP ports.

## General characteristics

### Environmental characteristics

Conforming to standards	UL 508, UL 60950, IEC 60950, 60947-6-2
Certification	cUIUs, GOST, FCC, CE
Ambient temperature	-20 to +70 °C (-4 to +158 °F)
Relative humidity	5–85 %
Level of pollution	Level 3
Flame resistance	ULV0

### Mechanical characteristics

Shock resistance	1000 m/s <sup>2</sup>
Resistance to sinusoidal vibrations	5 Hz < f < 8.4 Hz

### Electrical characteristics

Resistance to electromagnetic discharge	Conforming to IEC/EN 61000-4-3
Immunity to radiated fields	10 V/m
Immunity to surges	Conforming to IEC/EN 61000-4-5
Consumption	120 mA at 24 V input

### Physical characteristics

Dimensions	72 x 105 x 71 mm (2.83 x 4.13 x 2.79 in.)
Mounting	DIN rail
Weight	182.5 g (0.41 lb)

Degree of protection of the installed IO	<ul style="list-style-type: none"> <li>■ On the front panel (wall mounted enclosure): IP4x</li> <li>■ Connectors: IP2x</li> <li>■ Other parts: IP3x</li> </ul>
--	--

Connections	Screw type terminal blocks
-------------	----------------------------

### Technical characteristics - 24 V DC power supply

Power supply type	Regulated switch type
Rated power	72 W
Input voltage	100–120 V AC for single phase 200–500 V AC phase-to-phase
PFC filter	With IEC 61000-3-2
Output voltage	24 V DC
Power supply out current	3 A

*Note: it is recommended to use an UL listed/UL listed recognized limited voltage/Limited current or a class 2 power supply with a 24 V DC, 3 A maximum.*

## IFE web page description

### Monitoring web page

Real time data 67	■
Device logging	■

### Control web page

Single device control	■
-----------------------	---

### Diagnostics web page

Statistics	■
Device information	■
IMU information	■
Read device registers	■
Communication check	■

### Maintenance web page

Maintenance log	■
Maintenance counters	■

### Setup web page

Device localization/name	■
Ethernet configuration (dual port)	■
IP configuration	■
Modbus TCP/IP filtering	■
Serial port	■
Date and time	■
E-mail server configuration	■
Alarms to be e-mailed	■
Device list	■
Device logging	■
Device log export	■
SNMP parameters	■
Documentation links	■
Preferences	■
Advanced services control	■
User accounts	■
Web page access	■

# IFM Modbus communication interface



IFM Modbus communication interface.  
Ref.: LV434000.

## Function

A IFM - Modbus communication interface - is required for connection of a Masterpact or Compact to a Modbus network as long as this circuit breaker is provided with a ULP (Universal Logic Plug) port. The port is available on respectively a BCM ULP or BSCM embedded module.

*The IFM is defined as an IMU (Intelligent Modular Unit) in the ULP connection System documentation.*

Once connected, the circuit breaker is considered as a slave by the Modbus master. Its electrical values, alarm status, open/close signals can be monitored or controlled by a Programmable Logic Controller or any other system.

## Characteristics

### ULP port

2 RJ45 sockets, internal parallel wiring.

- Connection of a single circuit breaker (eventually via its I/O application module).
- A ULP line terminator or an FDM121 display unit must be connected to the second RJ45 ULP socket.

The RJ45 sockets deliver a 24 VDC supply fed from the Modbus socket.

Built-in test function, for checking the correct connection to the circuit breaker and FDM121 display unit.

### Modbus slave port

- Top socket for screw-clamp connector, providing terminals for:

- 24 VDC input supply (0V, +24V)
- Modbus line (D1, D2, Gnd).

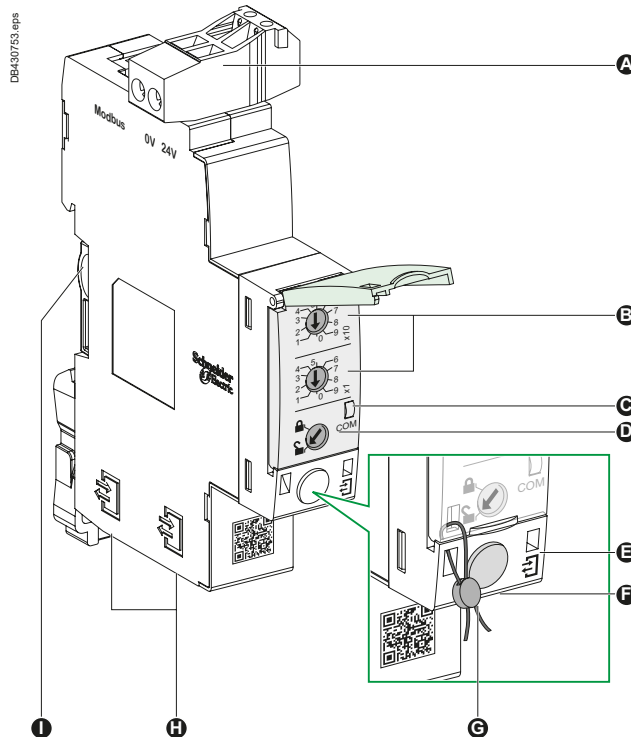
- Lateral socket, for Din-rail stackable connector.

Both top and lateral sockets are internally parallel wired.

- Multiple IFM can be stacked, thus sharing a common power supply and Modbus line without individual wiring.

- On the front face:

- Modbus address setting (1 to 99): 2 coded rotary switches
- Modbus locking pad: enables or disable the circuit breaker remote control and modification of IFM parameters.
- Self adjusting communication format (Baud rate, parity).



- A** Modbus screw clamp connector.
- B** Modbus address switches.
- C** Modbus traffic LED.
- D** Modbus locking pad.
- E** ULP activity LED.
- F** Test button.
- G** Mechanical lock.
- H** ULP RJ45 connectors.
- I** Stacking accessory connection.

## Technical characteristics

### IFM Modbus communication interface

Dimensions	18 x 72 x 96 mm	
Maximum number of stacked IFM	12	
Degree of protection of the installed module	Part projecting beyond the escutcheon	IP4x
	Other module parts	IP3x
	Connectors	IP2x
Operating temperature	-25...+70 °C	
Power supply voltage	24 V DC -20 %/+10 % (19.2...26.4 V DC)	
Consumption	Typical	21 mA/24 V DC at 20 °C
	Maximum	30 mA/19.2 V DC at 60 °C

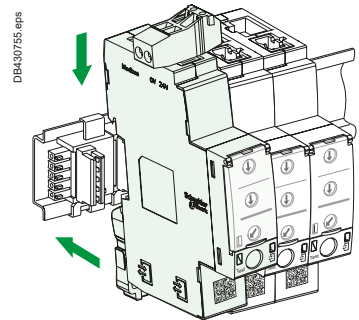
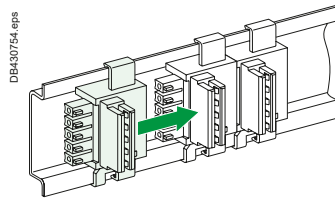
### Certification

CE	IEC/EN 60947-1
UL	UL 508 - Industrial Control Equipment
CSA	No. 142-M1987 - Process Control Equipment
	■ CAN/CSA C22.2 No. 0-M91 - General requirements - Canadian Electrical Code Part
	■ CAN/CSA C22.2 No. 14-05 - Industrial Control Equipment



## Simplified IFM installation

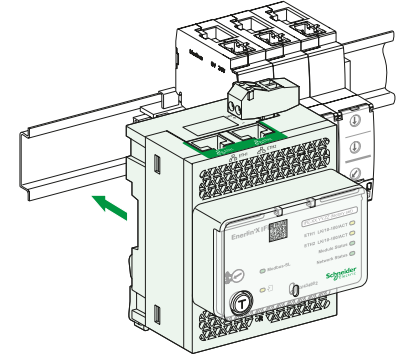
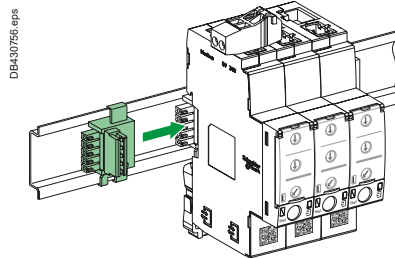
### Stacking IFM



Stacking accessories

Up to 12 stacked IFM

### Stacking an IFE interface + gateway with IFMs





A

### Description

The I/O input/output application module for LV breaker is part of an ULP system with built-in functionalities and applications to enhance the application needs. The ULP system architecture can be built without any restrictions using the wide range of circuit breakers. The I/O application is compliant with the ULP system specifications. Two I/O application module can be connected in the same ULP network.

The ranges of LV circuit breakers enhanced by the I/O are:

- Masterpact NW
- Masterpact NT
- Compact NS1600b-3200
- Compact NS630b-1600
- Compact NSX100-630 A.

### I/O input/output interface for LV breaker resources

The I/O application module resources are:

- 6 digital inputs that are self powered for either NO and NC dry contact or pulse counter
- 3 digital outputs that are bistable relay (5 A maximum)
- 1 analog input for Pt100 temperature sensor.

### Pre-defined applications

Pre-defined application adds new functions to the IMU in a simple way:

- selection by the application rotary switch on the I/O, defining the application with pre-defined input/output assignment and wiring diagram.
- no additional setting with the customer engineering tool required.

The resources not assigned to the pre-defined application are free for additional user-defined applications:

- cradle management
- breaker operation
- light and load control
- custom.

### User-defined applications

User-defined applications are processed by the I/O in addition to the pre-defined application selected.

The user-defined applications are available depending on:

- the pre-defined application selected
- the I/O resources (inputs and outputs) not used by the application.

The resources required by user-defined applications are assigned using the customer engineering tool:

- protection
- control
- energy management
- monitoring.

### Mounting

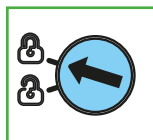
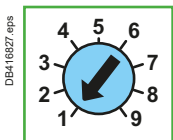
The I/O is a DIN rail mounting device.

### Application rotary switch

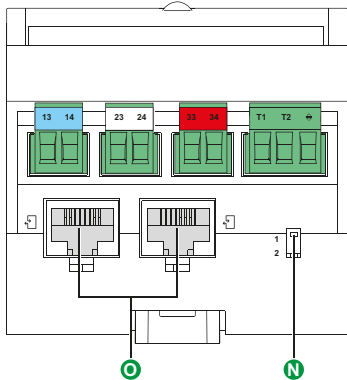
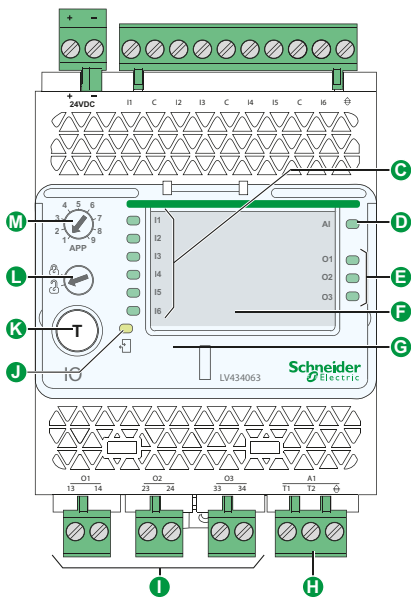
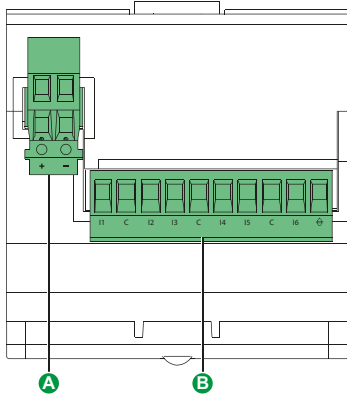
The application rotary switch enables the selection of the pre-defined application.

It has 9 positions and each position is assigned to a pre-defined application.

The factory set position of the switch is pre-defined application 1.



DB417367\_eps



- A** 24 V DC power supply terminal block.
- B** Digital input terminal block: 6 inputs, 3 commons and 1 shield.
- C** 6 input status LEDs.
- D** Analog input status LED.
- E** 3 output status LEDs.
- F** I/O application module identification labels.
- G** Sealable transparent cover.
- H** Analog input terminal block.
- I** Digital output terminal blocks.
- J** ULP status LED.
- K** Test/reset button (accessible with cover closed).
- L** Setting locking pad.
- M** Application rotary switch: 1 to 9.
- N** Switch for I/O addressing (I/O 1 or I/O 2).
- O** ULP connectors.

## General characteristics

### Environmental characteristics

Conforming to standards	UL 508, UL 60950, IED 60950, 60947-6-2
Certification	cUIUs, GOST, FCC, CE
Ambient temperature	-20 to +70 °C (-4 to +158 °F)
Relative humidity	5–85 %
Level of pollution	Level 3
Flame resistance	ULV0

### Mechanical characteristics

Shock resistance	1000 m/s <sup>2</sup>
Resistance to sinusoidal vibrations	5 Hz < f < 8.4 Hz

### Electrical characteristics

Resistance to electromagnetic discharge	Conforming to IEC/EN 61000-4-3
Immunity to radiated fields	10 V/m
Immunity to surges	Conforming to IEC/EN 61000-4-5
Consumption	165 mA

### Physical characteristics

Dimensions	71.7 x 116 x 70.6 mm (2.83 x 4.56 x 2.78 in.)
Mounting	DIN rail
Weight	229.5 g (0.51 lb)
Degree of protection of the installed I/O application module	<ul style="list-style-type: none"> <li>■ On the front panel (wall mounted enclosure): IP4x</li> <li>■ IO parts: IP3x</li> <li>■ Connectors: IP2x</li> </ul>

Connections	Screw type terminal blocks
-------------	----------------------------

### Technical characteristics - 24 V DC power supply

Power supply type	Regulated switch type
Rated power	72 W
Input voltage	100–120 V AC for single phase 200–500 V AC phase-to-phase
PFC filter	With IEC 61000-3-2
Output voltage	24 V DC
Power supply out current	3 A

**Note:** it is recommended to use an UL listed/UL listed recognized limited voltage/Limited current or a class 2 power supply with a 24 V DC, 3 A maximum.

### Digital inputs

Digital input type	Self powered digital input with current limitations as per IEC 61131-2 type 2 standards (7 mA)
Input limit values at state 1 (close)	19.8–25.2 V DC, 6.1–8.8 mA
Input limit values at state 0 (open)	0–19.8 V DC, 0 mA
Maximum cable length	10 m (33 ft)

**Note:** for a length greater than 10 m (33 ft) and up to 300 m (1,000 ft), it is mandatory to use a shielded twisted cable. The shield cable is connected to the I/O functional ground of the I/O application module.

### Digital outputs

Digital output type	Bistable relay
Rated load	5 A at 250 V AC
Rated carry current	5 A
Maximum switching voltage	380 V AC, 125 V DC
Maximum switch current	5 A
Maximum switching power	1250 VA, 150 W
Minimum permissible load	10 mA at 5 V DC
Contact resistance	30 mΩ
Maximum operating frequency	<ul style="list-style-type: none"> <li>■ 18000 operations/hr (Mechanical)</li> <li>■ 1800 operations/hr (Electrical)</li> </ul>
Digital output relay protection by an external fuse	External fuse of 5 A or less
Maximum cable length	10 m (33 ft)

### Analog inputs

The I/O application module analog input can be connected to a Pt100 temperature sensor

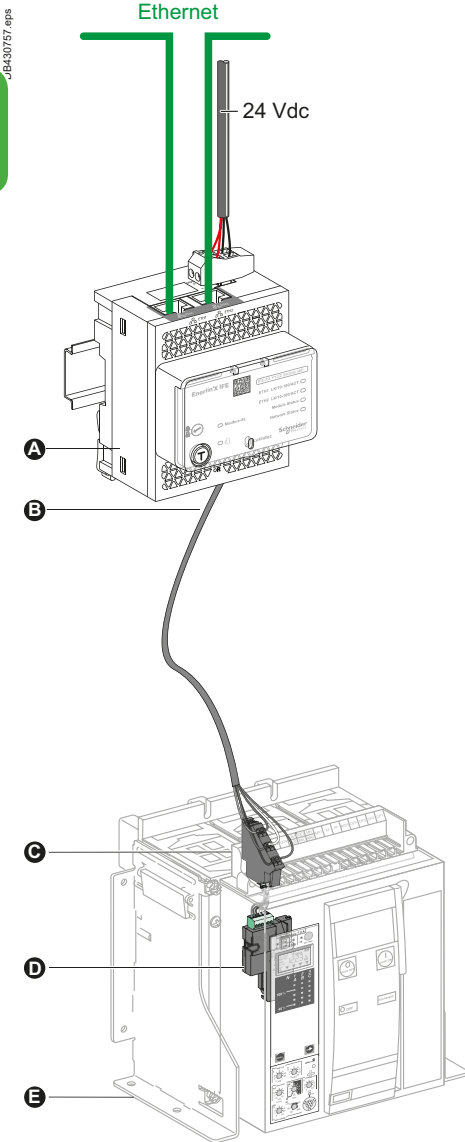
Range	-30 to 200 °C	-22 to 392 °F
Accuracy	<ul style="list-style-type: none"> <li>±2 °C from -30 to 20 °C</li> <li>±1 °C from 20 to 140 °C</li> <li>±2 °C from 140 to 200 °C</li> </ul>	<ul style="list-style-type: none"> <li>±3.6 °F from -22 to 68 °F</li> <li>±1.8 °F from 68 to 284 °F</li> <li>±3.6 °F from 284 to 392 °F</li> </ul>
Refresh interval	5 s	5 s

# Connection of the IFE to a fixed or drawout Masterpact NT/NW

Connect the IFE to a fixed electrically operated Masterpact NT/NW or circuit breaker using the breaker ULP cord

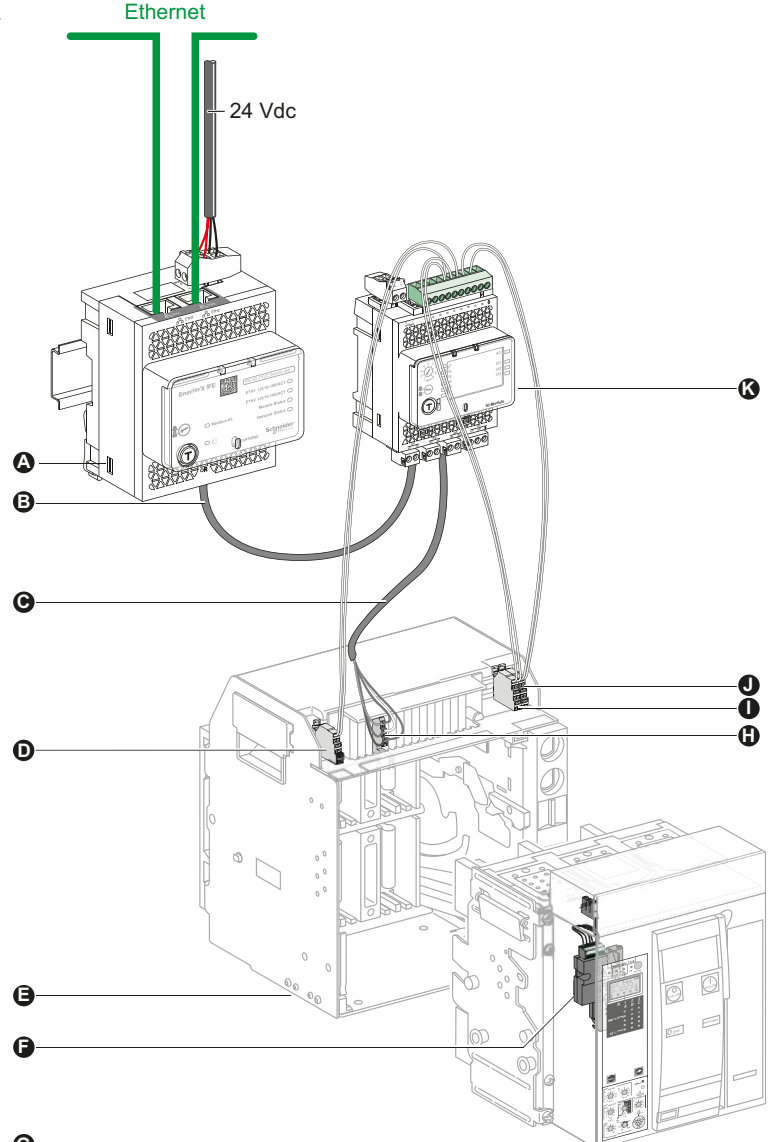
Connect the IFE to a drawout Masterpact NT/NW or circuit breaker using the breaker ULP cord

A



- A IFE Ethernet interface for LV circuit breaker
- B Breaker ULP cord
- C Fixed terminal block
- D BCM ULP communication module
- E Fixed electrically operated circuit breaker

DE430758.eps



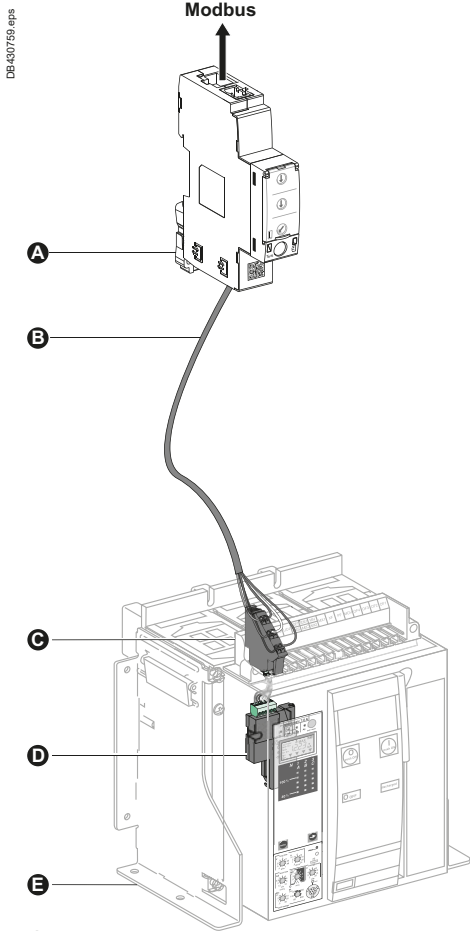
- A IFE Ethernet interface for LV circuit breaker
- B ULP cable
- C Breaker ULP cord
- D Circuit breaker disconnected position contact (CD)
- E Circuit breaker cradle
- F BCM ULP communication module
- G Drawout circuit breaker
- H Drawout terminal block
- I Circuit breaker connected position contact (CE)
- J Circuit breaker test position contact (CT)
- K I/O (Input/Output) application module for LV circuit breaker



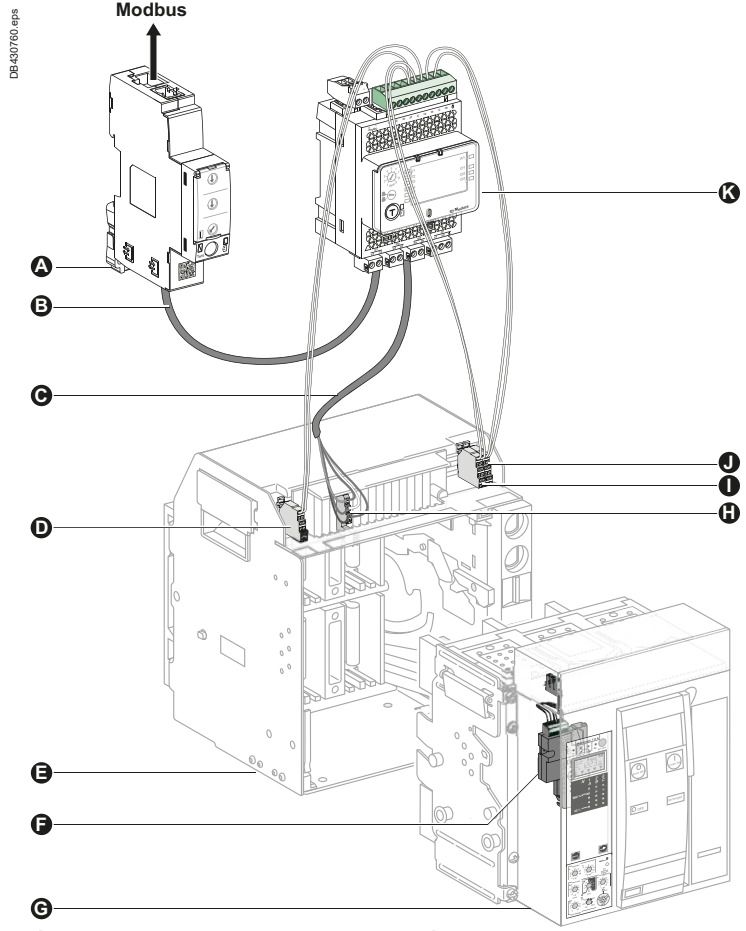
# Connection of the IFM to a fixed or drawout Masterpact NT/NW

Connect the IFM to a fixed electrically operated Masterpact NT/NW or circuit breaker using the breaker ULP cord

Connect the IFM to a drawout Masterpact NT/NW or circuit breaker using the breaker ULP cord



- A IFM Ethernet interface for LV circuit breaker
- B Breaker ULP cord
- C Fixed terminal block
- D BCM ULP communication module
- E Fixed electrically operated circuit breaker

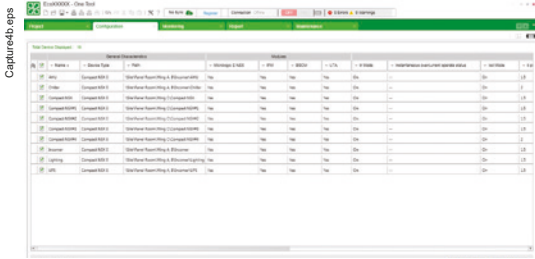
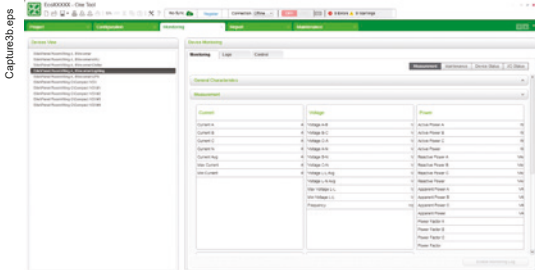
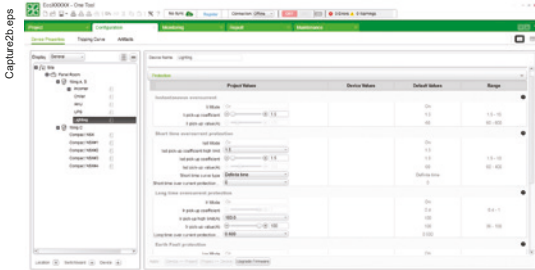
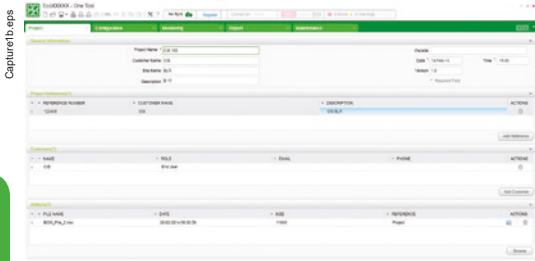


- A IFM Ethernet interface for LV circuit breaker
- B ULP cable
- C Breaker ULP cord
- D Circuit breaker disconnected position contact (CD)
- E Circuit breaker cradle
- F BCM ULP communication module
- G Drawout circuit breaker
- H Drawout terminal block
- I Circuit breaker connected position contact (CE)
- J Circuit breaker test position contact (CT)
- K I/O (Input/Output) application module for LV circuit breaker



# Electrical Asset Manager Configuration Engineering tool

A



## Introduction

Electrical Asset Manager is a software application that helps the user to manage a project as part of designing, testing, site commissioning, and maintenance of the project life cycle.

It enables the user to prepare the settings of the devices offline (without connecting to the device) and configure them when connected with the devices.

Also it provides lot of other value added features for the user to manage the project such as, safe repository in cloud, attach artifacts to each device or at the project level, organize devices in switchboard wise, manage a hierarchical structure of the installation etc.

## Compatible devices (configuration and device management)

Electrical Asset Manager is compatible with the following devices:

- Compact NSX100-630 (IEC)
- PowerPact™ (UL) circuit breaker
- Compact NS630b-3200 (IEC)
- Masterpact NT/NW (IEC and UL) circuit breaker
- Acti9 Smartlink.
- Compatible devices (Device Management in the project)
- Switch disconnectors (Compact NSX, Masterpact & PowerPact Family)
- Third party devices.

## References:

Electrical Asset Manager software package can be downloaded from our website [www.schneider-electric.com](http://www.schneider-electric.com).

## Features

Electrical Asset Manager supersedes the Schneider Electric customer engineering tools such as Remote setting Utility (RSU) and Remote Control Utility (RCU) with additional features.

Electrical Asset Manager supports the connection of Schneider Electric communicable devices to:

- create projects by device discovery, selection of devices, and import Bill of Material (BOM)
- monitor the status of protection and IO status
- read information (alarms, measurements, parameters)
- check protection discrimination between two devices
- upload and download of configuration or settings in batch mode to multiple devices.
- carry out commands and tests
- generate and print device settings report and communication test report
- manage multiple devices with electrical and communication hierarchy model
- manage artifacts (project documents)
- check consistency in settings between devices on a communication network
- compare configuration settings between PC and device (online)
- download latest firmware.

Electrical Asset Manager enables the user to avail the advanced features of the software once the project is saved in Schneider Electric cloud.



# Mounting Versions and Connections

## Overview of solutions

Three types of connection are available:

- vertical or horizontal rear connection
- front connection
- mixed connection.

The solutions presented are similar in principle for all Masterpact NT and NW fixed and drawout devices.

A

### Mounting type

Masterpact circuit breakers are available in two mounting versions :  
Fixed Drawout

PB101579A40\_SE\_eps



PB106383A35\_eps



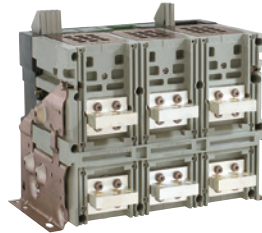
The drawout version is preferred in most of the applications due to its following benefits :

- visible separation of the power contacts via racking out
- easy and complete access to the device for periodic maintenance
- possibility of a quick replacement of the device if necessary.

### Rear connection

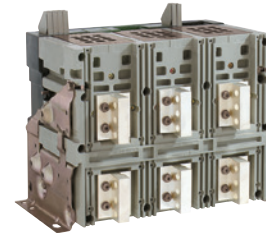
Horizontal

PB104356A40\_eps



Vertical

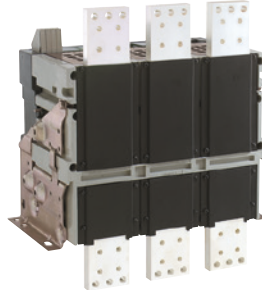
PB104356A40\_eps



Simply turn a horizontal rear connector 90° to make it a vertical connector.  
For the 6300 A circuit breaker, only vertical connection is available.

### Front connection

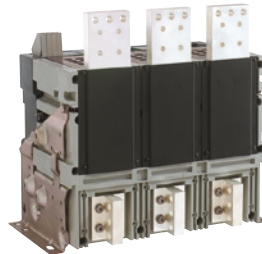
PB104356A40\_eps



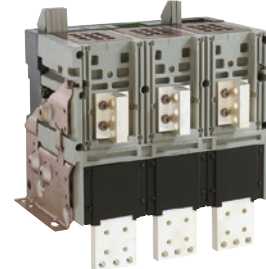
Front connection is available for NW fixed and drawout versions up to 3200 A.

### Mixed connection

PB104357A40\_eps



PB104359A40\_eps



PB104358A40\_eps



**Note:** Masterpact circuit breakers can be connected indifferently with bare-copper, tinned-copper and tinned-aluminium conductors, requiring no particular treatment.

# Accessories

Type of accessory	Masterpact NT06 to NT16				Masterpact NW08 to NW63			
	Fixed Front connection	Rear connection	Drawout Front connection	Drawout Rear connection	Fixed Front connection	Rear connection	Drawout Front connection	Drawout Rear connection
Vertical connection adapters	(4)		(4)					
Cable lug adapters	(4)		(4)					
Interphase barriers	(1)		(1)		(2)		(2)	
Spreaders	(4)		(4)					
Disconnectable front-connection adapter								
Safety shutters with padlocking			<b>standard</b>				<b>standard</b>	
Shutter position indication and locking								
Arc chute screen	(3)							

- (1) Mandatory for voltages  $\geq 500$  V, not compatible with spreaders.
- (2) Except for an NW40 equipped for horizontal rear connection, and for fixed NW40b-NW63.
- (3) Mandatory for fixed NT front-connection versions with vertical-connection adapters oriented towards the front.
- (4) Spreaders, vertical connection adapters and cable lugs adapters are not compatible with voltages  $\geq 500$  V.

### Masterpact M replacement kit

A set of connection parts is available to allow replacement of a Masterpact M08 to M32 circuit breaker by a Masterpact NW without modifying the busbars (please consult us).

### Mounting on a switchboard backplate using special brackets

Masterpact NT and NW fixed front-connected circuit breakers can be installed on a backplate without any additional accessories. Masterpact NW circuit breakers require a set of special brackets.

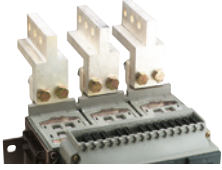
A

# Connections

## Accessories

A

PB104362A30.eps



### Vertical-connection adapters (option)

Mounted on front-connected devices or chassis, the adapters facilitate connection to a set of vertical busbars.

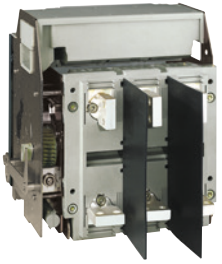
PB104361A30.eps



### Cable-lug adapters (option)

Cable-lug adapters are used in conjunction with vertical-connection adapters. They can be used to connect a number of cables fitted with lugs. To ensure adequate mechanical strength, the connectors must be secured together via spacers (catalogue number **04691**).

PB104358A30.eps



### Interphase barriers (option)

These barriers are flexible insulated partitions used to reinforce isolation of connection points in installations with busbars, whether insulated or not. For Masterpact NT/NW devices (up to NW40), they are installed vertically between rear connection terminals. They are mandatory for NT devices at voltages > 500 V. They are not compatible with spreaders.

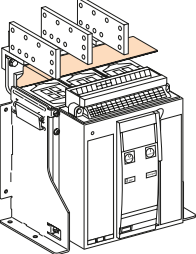
PB104362A30.eps



### Spreaders (option)

Mounted on the front or rear connectors, spreaders are used to increase the distance between bars in certain installation configurations.

DB117039.eps



### Arc chute screen (option)

For fixed Masterpact NT front-connection versions and with vertical-connection adapters oriented towards the front, an arc chute screen must be installed to respect safety clearances.

The arc chute screen is delivered in standard on the NT and NW drawout version.



### Disconnectable front-connection adapter (option)

Mounted on a fixed front-connected device, the adapter simplifies replacement of a fixed device by enabling fast disconnection from the front.



### Safety shutters (VO standard)

Mounted on the chassis, the safety shutters automatically block access to the disconnecting contact cluster when the device is in the disconnected or test positions (degree of protection IP 20) When the device is removed from its chassis, no live parts are accessible.

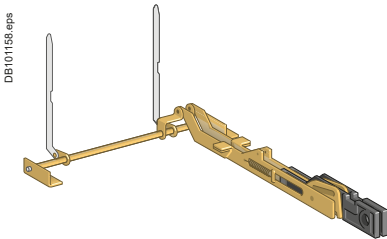
The shutter-locking system is made up of a moving block that can be padlocked (padlock not supplied). The block:

- prevents connection of the device
- locks the shutters in the closed position.

#### For Masterpact NW08 to NW63

A support at the back of the chassis is used to store the blocks when they are not used:

- 2 blocks for NW08 to NW40
- 4 blocks for NW40b to NW63.



### Shutter position indication and locking on front face (VIVC, NW only)

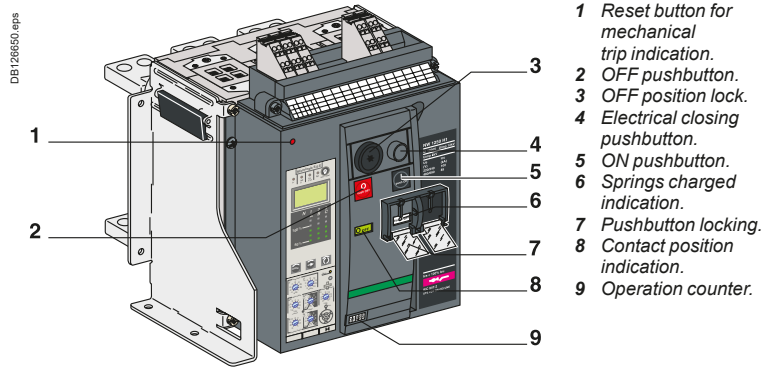
This option located on the chassis front plate indicates that the shutters are closed. It is possible to independently or separately padlock the two shutters using one to three padlocks (not supplied).



# Locking

## On the device

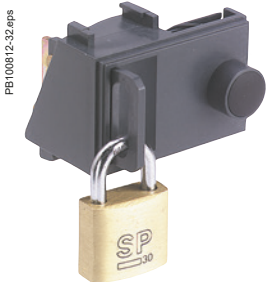
A



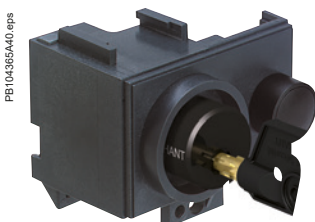
Access to pushbuttons protected by transparent cover.



Pushbutton locking using a padlock.



OFF position locking using a padlock.



OFF position locking using a keylock.

### Pushbutton locking VBP

The transparent cover blocks access to the pushbuttons used to open and close the device.

It is possible to independently lock the opening button and the closing button. The locking device is often combined with a remote operating mechanism.

The pushbuttons may be locked using either:

- padlock (not supplied), 5 to 8 mm
- lead seal
- two screws.

### Device locking in the OFF position VCPO by padlocks, VSPO by keylocks

The circuit breaker is locked in the OFF position by physically maintaining the opening pushbutton pressed down:

- using padlocks (one to three padlocks, not supplied), shackle diameter: 5 to 8 mm
- using keylocks (one or two different keylocks, supplied).

Keys may be removed only when locking is effective (Profalux or Ronis type locks).

The keylocks are available in any of the following configurations:

- one keylock
- one keylock mounted on the device + one identical keylock supplied separately for interlocking with another device
- two different key locks for double locking.

Profalux and Ronis keylocks are compatible with each other.

A locking kit (without locks) is available for installation of one or two keylocks (Ronis, Profalux, Kirk or Castell).

#### Accessory-compatibility

For Masterpact NT: 3 padlocks or 1 keylock.

For Masterpact NW: 3 padlocks and/or 2 keylocks.

### Cable-type door interlock IPA

This option prevents door opening when the circuit breaker is closed and prevents circuit breaker closing when the door is open.

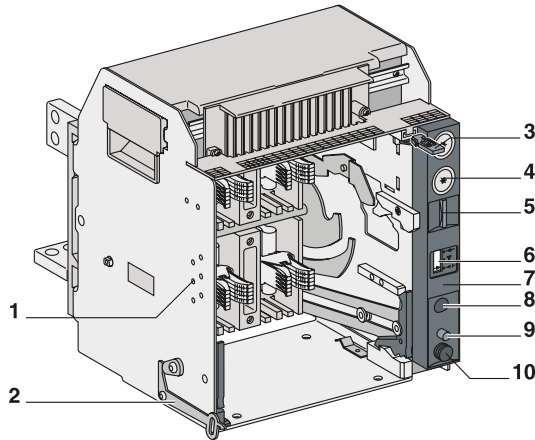
For this, a special plate associated with a lock and a cable is mounted on the right side of the circuit breaker.

With this interlock installed, the source changeover function cannot be implemented. This option is identical for fixed and drawout version.



# On the chassis

DBI 28651 eps



- 1 Mismatch protection.
- 2 Door interlock.
- 3 Racking interlock.
- 4 Keylock locking.
- 5 Padlock locking.
- 6 Position indicator.
- 7 Chassis front plate (accessible with cubicle door closed).
- 8 Racking-handle entry.
- 9 Reset button.
- 10 Racking-handle storage.



"Disconnected" position locking by padlocks.



"Disconnected" position locking by keylocks.

### "Disconnected" position locking by padlocks (standard) or keylocks (VSPD option)

Mounted on the chassis and accessible with the door closed, these devices lock the circuit breaker in the "disconnected" position in two manners:

- using padlocks (standard), up to three padlocks (not supplied)
- using keylocks (optional), one or two different keylocks are available.

Profalux and Ronis keylocks are available in different options:

- one keylock
- two different keylocks for double locking
- one (or two) keylocks mounted on the device + one (or two) identical keylocks supplied separately for interlocking with another device.

A locking kit (without locks) is available for installation of one or two keylocks (Ronis, Profalux, Kirk or Castell).



Door interlock.

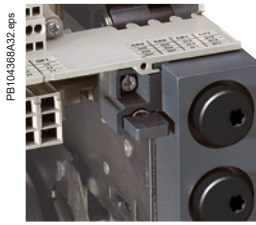
### "Connected", "disconnected" and "test" position locking

The "connected", "disconnected" and "test" positions are shown by an indicator and are mechanically indexed. The exact position is obtained when the racking handle blocks. A release button is used to free it.

As standard, the circuit breaker can be locked only in "disconnected position". On request, the locking system may be modified to lock the circuit breaker in any of the three positions: "connected", "disconnected" or "test".

### Door interlock catch VPEC

Mounted on the right or left-hand side of the chassis, this device inhibits opening of the cubicle door when the circuit breaker is in "connected" or "test" position. If the breaker is put in the "connected" position with the door open, the door may be closed without having to disconnect the circuit breaker.



Racking interlock.

### Racking interlock VPOC

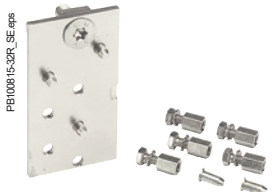
This device prevents insertion of the racking handle when the cubicle door is open.

### Cable-type door interlock IPA

This option is identical for fixed and drawout versions.

### Racking interlock between crank and OFF pushbutton IBPO (for NW only)

This option makes it necessary to press the OFF pushbutton in order to insert the racking handle and holds the device open until the handle is removed.



Mismatch protection.

### Automatic spring discharge before breaker removal DAE (for NW only)

This option discharges the springs before the breaker is removed from the chassis.

### Mismatch protection VDC

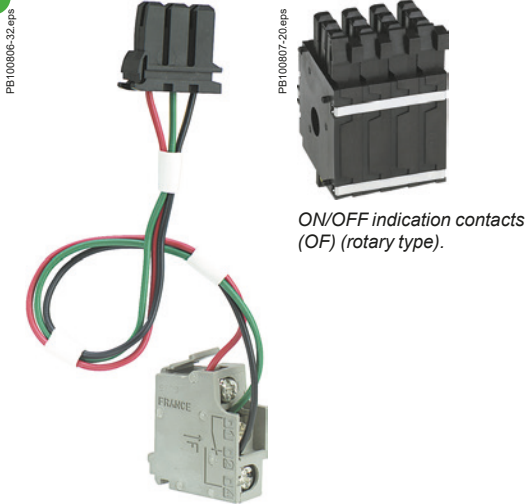
Mismatch protection ensures that a circuit breaker is installed only in a chassis with compatible characteristics. It is made up of two parts (one on the chassis and one on the circuit breaker) offering twenty different combinations that the user may select.

Indication contacts are available:

- in the standard version for relay applications
- in a low-level version for control of PLCs and electronic circuits.

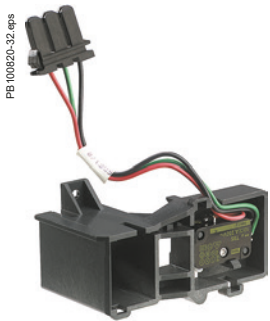
M2C and M6C contacts may be programmed via the Micrologic E, P and H control units.

A



ON/OFF indication contacts (OF) (rotary type).

ON/OFF indication contacts (OF) (micro switch type).



Additional "fault-trip" indication contacts (SDE)



Combined contacts.

### ON/OFF indication contacts OF

Two types of contacts indicate the ON or OFF position of the circuit breaker:

- micro switch type changeover contacts for Masterpact NT
- rotary type changeover contacts directly driven by the mechanism for Masterpact NW. These contacts switch when the minimum isolation distance between the main circuit breaker contacts is reached. These rotary type changeover contacts are used for both standard and low level versions for Masterpact NW.

OF		NT	NW
Supplied as standard		4	4
Maximum number		4	12
Breaking capacity (A)	Standard	Minimum load: 100 mA/24 V	
p.f.: 0.3	V AC	240/380	6
AC12/DC12		480	6
		690	6
	V DC	24/48	2.5
		125	0.5
		250	0.3
	Low-level	Minimum load: 2 mA/15 V	
	V AC	24/48	5
		240	5
		380	5
	V DC	24/48	5/2.5
		125	0.5
		250	0.3

(1) Standard contacts: 10 A; optional contacts: 6 A.

### "Fault-trip" indication contacts SDE

Circuit breaker tripping due to a fault is signalled by:

- a red mechanical fault indicator (reset)
- one changeover contact SDE.

Following tripping, the mechanical indicator must be reset before the circuit breaker may be closed. One SDE is supplied as standard. An optimal SDE may be added. This latter is incompatible with the electrical reset after fault-trip option (RES).

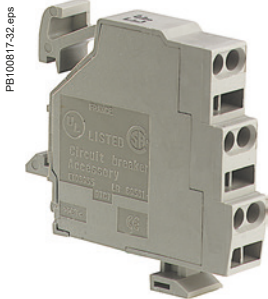
SDE		NT/NW
Supplied as standard		1
Maximum number		2
Breaking capacity (A)	Standard	Minimum load: 100 mA/24 V
p.f.: 0.3	V AC	240/380
AC12/DC12		480
		2
	V DC	24/48
		125
		0.3
		250
		0.15
	Low-level	Minimum load: 2 mA/15 V
	V AC	24/48
		240
		380
	V DC	24/48
		125
		0.3
		250
		0.15

### Combined "connected/closed" contacts EF

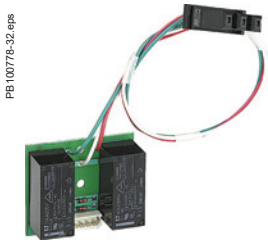
The contact combines the "device connected" and the "device closed" information to produce the "circuit closed" information. Supplied as an option for Masterpact NW, it is mounted in place of the connector of an additional OF contact.

EF		NW
Maximum number		8
Breaking capacity (A)	Standard	Minimum load: 100 mA/24 V
p.f.: 0.3	V AC	240/380
AC12/DC12		480
		690
	V DC	24/48
		125
		0.8
		250
		0.3
	Low-level	Minimum load: 2 mA/15 V
	V AC	24/48
		240
		380
	V DC	24/48
		125
		0.8
		250
		0.3

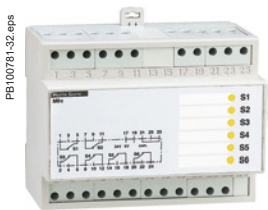
# Indication contacts



CE, CD and CT "connected/disconnected/test" position carriage switches.



M2C programmable contacts: circuit breaker internal relay with two contacts.



M6C programmable contacts: circuit breaker external relay with six independent changeover contacts controlled from the circuit breaker via a three-wire connection. (maximum length is 10 meters).

## "Connected", "disconnected" and "test" position carriage switches

Three series of optional auxiliary contacts are available for the chassis:

- changeover contacts to indicate the "connected" position CE
- changeover contacts to indicate the "disconnected" position CD. This position is indicated when the required clearance for isolation of the power and auxiliary circuits is reached
- changeover contacts to indicate the "test" position CT. In this position, the power circuits are disconnected and the auxiliary circuits are connected.

### Additional actuators

A set of additional actuators may be installed on the chassis to change the functions of the carriage switches.

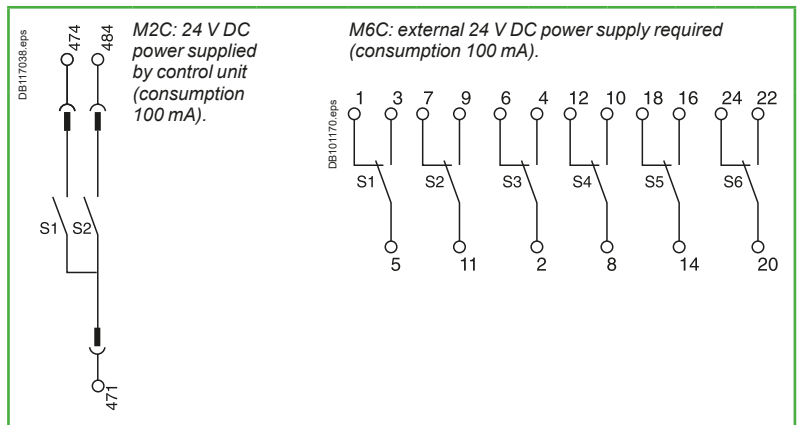
		NT			NW			
Contacts		CE/CD/CT			CE/CD/CT			
Maximum number	Standard with additional actuators	3	2	1	3	3	3	
		9	0	0	6	3	0	
		6	0	0	6	0	3	
		3	6	0				
Breaking capacity (A) p.f.: 0.3 AC12/DC12	Standard	Minimum load: 100 mA/24 V						
		V AC	240	8		8		
			380	8		8		
			480	8		8		
			690	6		6		
		V DC	24/48	2.5		2.5		
	125		0.8		0.8			
	Low-level	Minimum load: 2 mA/15 V						
		V AC	24/48	5		5		
			240	5		5		
			380	5		5		
		V DC	24/48	2.5		2.5		
125			0.8		0.8			
250	0.3			0.3				

## M2C / M6C programmable contacts

These contacts, used with the Micrologic E, P and H control units, may be programmed via the control unit keypad or via a supervisory station with the COM communication option. They require an external power supply module.

The M2C (two contacts) and M6C (six contacts) auxiliary contacts may be used to signal threshold overruns or status changes. They can be programmed using the keypad on the Micrologic P control unit or remotely using the COM option (BCM ULP).

Micrologic		Type E	Types P, H
Characteristics		M2C	M2C / M6C
Minimum load		100 mA/24 V	100 mA/24 V
Breaking capacity (A) p.f.: 0.7	V AC	240	5
		380	3
	V DC	24	1.8
		48	1.5
		125	0.4
		250	0.15



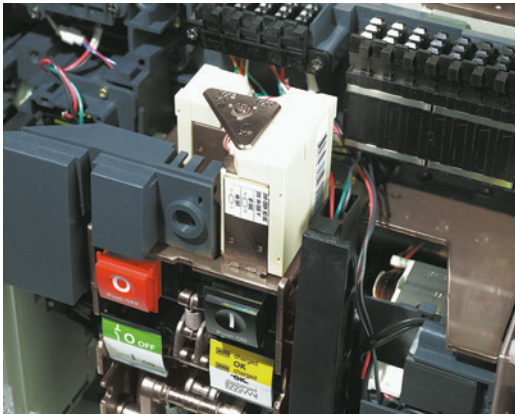
# Remote operation

## Remote ON / OFF

Two solutions are available for remote operation of Masterpact devices:

- a point-to-point solution
- a bus solution with the COM communication option.

A



**Note:** an opening order always takes priority over a closing order.

If opening and closing orders occur simultaneously, the mechanism discharges without any movement of the main contacts. The circuit breaker remains in the open position (OFF).

In the event of maintained opening and closing orders, the standard mechanism provides an anti-pumping function by blocking the main contacts in open position.

**Anti-pumping function.** After fault tripping or intentional opening using the manual or electrical controls, the closing order must first be discontinued, then reactivated to close the circuit breaker.

When the automatic reset after fault trip (RAR) option is installed, to avoid pumping following a fault trip, the automatic control system must take into account the information supplied by the circuit breaker before issuing a new closing order or blocking the circuit breaker in the open position (information on the type of fault, e.g. overload, short-time fault, earth fault, earth leakage, short-circuit, etc.).

**Note:** MX communicating releases are of the impulse type only and cannot be used to lock a circuit breaker in OFF position. For locking in OFF position, use the remote tripping function (2nd MX or MN).

When MX or XF communicating releases are used, the third wire (C3, A3) must be connected even if the communication module is not installed. When the control voltage (C3-C1 or A3-A1) is applied to the MX or XF releases, it is necessary to wait 1.5 seconds before issuing an order. Consequently, it is advised to use standard MX or XF releases for applications such as source-changeover systems.

The remote ON / OFF function is used to remotely open and close the circuit breaker. It is made up of:

- an electric motor MCH equipped with a “springs charged” limit switch contact CH
- two voltage releases:
  - a closing release XF
  - an opening release MX.

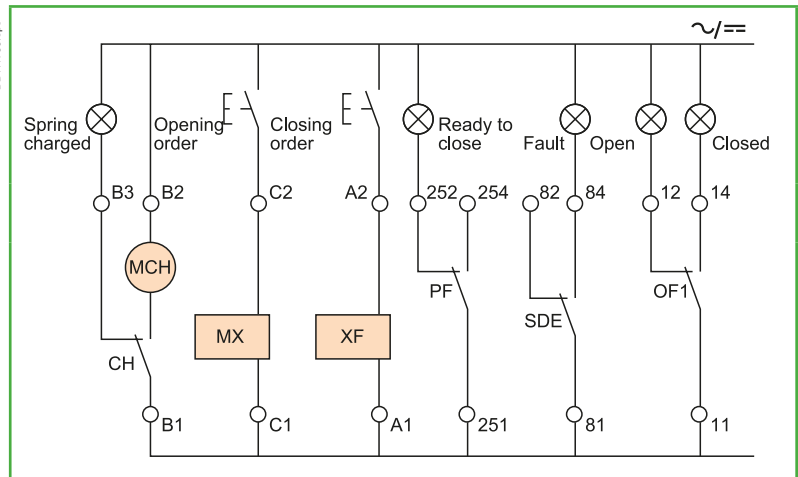
Optionally, other functions may be added:

- a “ready to close” contact PF
- an electrical closing pushbutton BPFE
- remote RES following a fault.

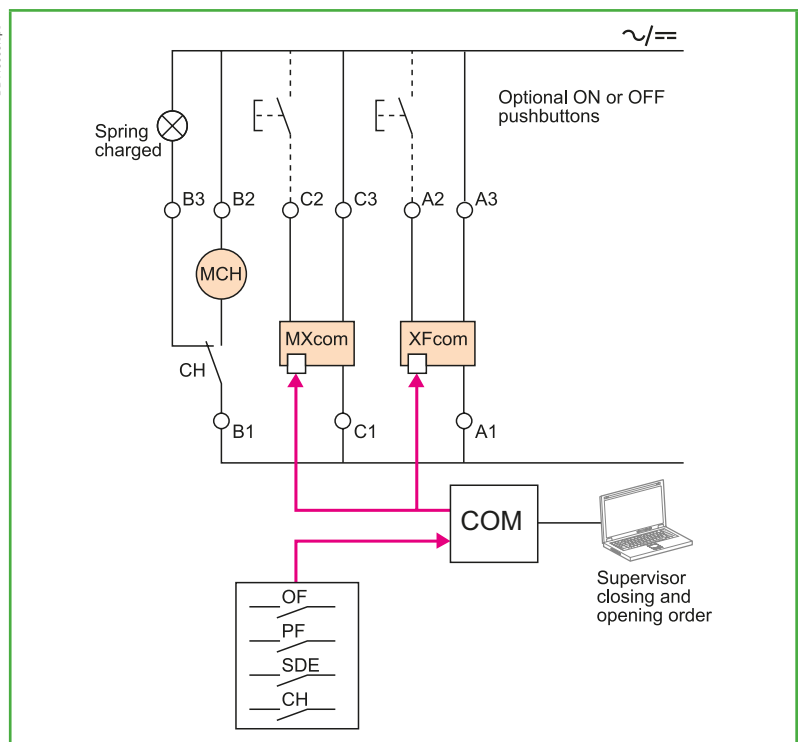
A remote-operation function is generally combined with:

- device ON / OFF indication OF
- “fault-trip” indication SDE.

### Wiring diagram of a point-to-point remote ON / OFF function



### Wiring diagram of a bus-type remote ON / OFF function



PB100797-23.eps



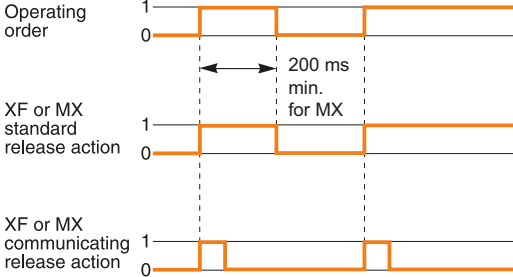
Electric motor MCH for Masterpact NT.

PB100808-32.eps



Electric motor MCH for Masterpact NW.

DB417155.eps



PB100809-16.eps



XF and MX voltage releases.

PB100810-16.eps



"Ready to close" contacts PF.

### Electric motor MCH

The electric motor automatically charges and recharges the spring mechanism when the circuit breaker is closed. Instantaneous reclosing of the breaker is thus possible following opening. The spring-mechanism charging handle is used only as a backup if auxiliary power is absent.

The electric motor MCH is equipped as standard with a limit switch contact CH that signals the "charged" position of the mechanism (springs charged).

#### Characteristics

Power supply	V AC 50/60 Hz	48/60 - 100/130 - 200/240 - 277 - 380/415 - 400/440 - 480
	V DC	24/30 - 48/60 - 100/125 - 200/250
Operating threshold	0.85 to 1.1 Un	
Consumption (VA or W)	180	
Motor overcurrent	2 to 3 In for 0.1 s	
Charging time	maximum 3 s for Masterpact NT	
	maximum 4 s for Masterpact NW	
Operating frequency	maximum 3 cycles per minute	
CH contact	10 A at 240 V	

### Voltage releases XF and MX

Their supply can be maintained or automatically disconnected.

#### Closing release XF

The XF release remotely closes the circuit breaker if the spring mechanism is charged.

#### Opening release MX

The MX release instantaneously opens the circuit breaker when energised, the minimum duration of the pulse operating order must be 200 ms. The MX release locks the circuit breaker in OFF position if the order is maintained (except for MX "communicating" releases).

*Note: whether the operating order is maintained or automatically disconnected (pulse-type), XF or MX "communicating" releases ("bus" solution with "COM" communication option) always have an impulse-type action (see diagram).*

#### Characteristics

	XF	MX
Power supply	V AC 50/60 Hz	24 - 48 - 100/130 - 200/250 - 277 - 380/480
	V DC	12 - 24/30 - 48/60 - 100/130 - 200/250
Operating threshold	0.85 to 1.1 Un	
Consumption (VA or W)	Hold: 4.5	Hold: 4.5
	Pick-up: 200 (200 ms)	Pick-up: 200 (200 ms)
Circuit breaker response time at Un	55 ms ±10 (Masterpact NT)	
	70 ms ±10 (NW ≤ 4000 A)	
	80 ms ±10 (NW > 4000 A)	

### "Ready to close" contact PF

The "ready to close" position of the circuit breaker is indicated by a mechanical indicator and a PF changeover contact. This signal indicates that all the following are valid:

- the circuit breaker is in the OFF position
- the spring mechanism is charged
- a maintained opening order is not present:
  - MX energised
  - fault trip
  - remote tripping second MX or MN
  - device not completely racked in
  - device locked in OFF position
  - device interlocked with a second device.

#### Characteristics

		NT/NW	
Maximum number		1	
Breaking capacity (A) p.f.: 0.3 AC12/DC12	Standard	V AC	240/380
			480
			690
	V DC	24/48	3
		125	0.3
		250	0.15
Low-level		Minimum load: 2 mA/15 V	
V AC	24/48	3	
		240	
		380	
	V DC	24/48	3
		125	0.3
		250	0.15

# Remote operation

## Remote ON / OFF

PB100798-56.eps



Electrical closing pushbutton BPFE.

A

### Electrical closing pushbutton BPFE

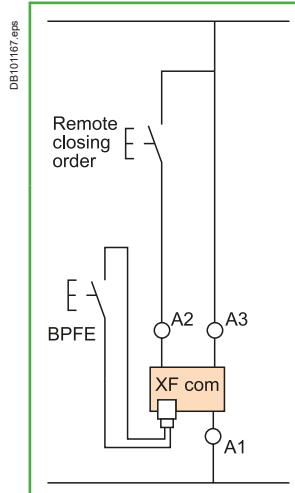
Located on the front panel, this pushbutton carries out electrical closing of the circuit breaker. It is generally associated with the transparent cover that protects access to the closing pushbutton.

Electrical closing via the BPFE pushbutton takes into account all the safety functions that are part of the control/monitoring system of the installation.

The BPFE connects to the closing release (XF com) in place of the COM module.

The COM module is incompatible with this option.

Different types of voltage exist and the XF electromagnet is compulsory if the BPFE option is selected.



### Remote reset after fault trip

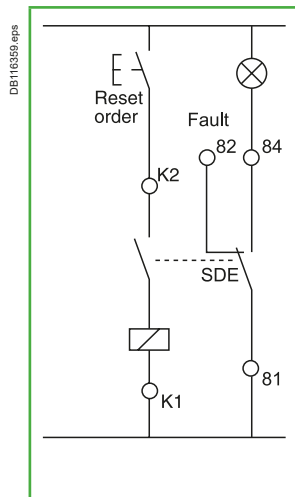
#### Electrical reset after fault trip RES

Following tripping, this function resets the "fault trip" indication contacts SDE and the mechanical indicator and enables circuit breaker closing.

Power supply: 110/130 V AC and 200/240 V AC.

The use of XF closing release is compulsory with this option.

The additional "Fault Trip" indication contact SDE2 is not compatible with RES.

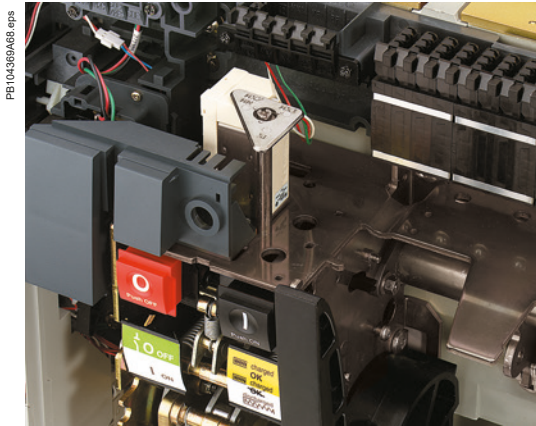


### Automatic reset after fault trip RAR

Following tripping, a reset of the mechanical indicator (reset button) is no longer required to enable circuit breaker closing. The mechanical (reset button) and electrical SDE indications remain in fault position until the reset button is pressed.

The use of XF closing release is compulsory with this option.

# Remote tripping



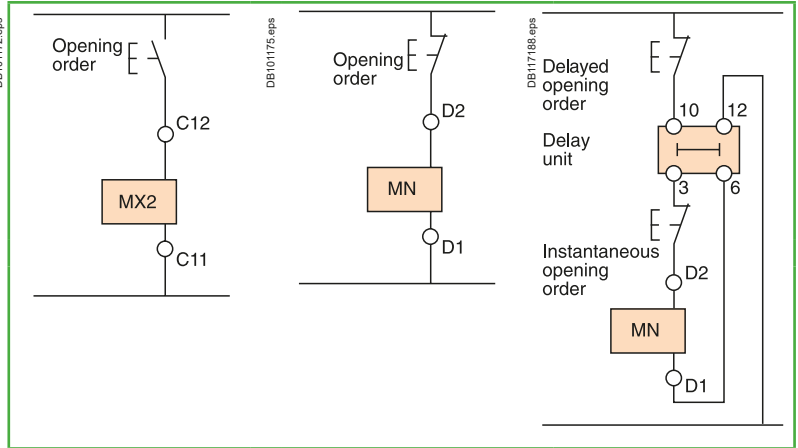
MX or MN voltage release.

This function opens the circuit breaker via an electrical order. It is made up of:

- a shunt release second MX
- or an undervoltage release MN
- or a delayed undervoltage release MNR: MN + delay unit.

These releases (2<sup>nd</sup> MX or MN) cannot be operated by the communication bus. The delay unit, installed outside the circuit breaker, may be disabled by an emergency OFF button to obtain instantaneous opening of the circuit breaker.

### Wiring diagram for the remote-tripping function



### Voltage releases second MX

When energised, the MX voltage release instantaneously opens the circuit breaker. A continuous supply of power to the second MX locks the circuit breaker in the OFF position.

#### Characteristics

Power supply	V AC 50/60Hz	24 - 48 - 100/130 - 200/250 - 277 - 380/480
	V DC	12 - 24/30 - 48/60 - 100/130 - 200/250
Operating threshold	0.7 to 1.1 Un	
Permanent locking function	0.85 to 1.1 Un	
Consumption (VA or W)	Pick-up: 200 (80 ms)	Hold: 4.5
Circuit breaker response time at Un	50 ms ±10	

### Instantaneous voltage releases MN

The MN release instantaneously opens the circuit breaker when its supply voltage drops to a value between 35 % and 70 % of its rated voltage. If there is no supply on the release, it is impossible to close the circuit breaker, either manually or electrically. Any attempt to close the circuit breaker has no effect on the main contacts. Circuit breaker closing is enabled again when the supply voltage of the release returns to 85 % of its rated value.

#### Characteristics

Power supply	V AC 50/60 Hz	24 - 48 - 100/130 - 200/250 - 380/480
	V DC	24/30 - 48/60 - 100/130 - 200/250
Operating threshold	Opening	0.35 to 0.7 Un
	Closing	0.85 Un
Consumption (VA or W)	Pick-up: 200 (200 ms)	Hold: 4.5
MN consumption with delay unit (VA or W)	Pick-up: 200 (200 ms)	Hold: 4.5
Circuit breaker response time at Un	40 ms ±5 for NT	
	90 ms ±5 for NW	

### MN delay units

To eliminate circuit breaker nuisance tripping during short voltage dips, operation of the MN release can be delayed. This function is achieved by adding an external delay unit in the MN voltage-release circuit. Two versions are available, adjustable and non-adjustable.

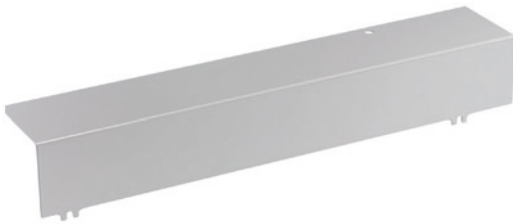
#### Characteristics

Power supply	Non-adjustable	100/130 - 200/250
	Adjustable	48/60 - 100/130 - 200/250 - 380/480
Operating threshold	Opening	0.35 to 0.7 Un
	Closing	0.85 Un
Delay unit consumption	Pick-up: 200 (200 ms)	Hold: 4.5
Circuit breaker response time at Un	Non-adjustable	0.25 s
	Adjustable	0.5 s - 1 s - 1.5 s - 3 s



A

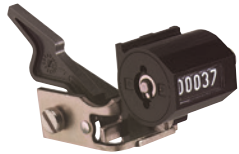
PE104740.eps



### Auxiliary terminal shield CB

Optional equipment mounted on the chassis, the shield prevents access to the terminal block of the electrical auxiliaries.

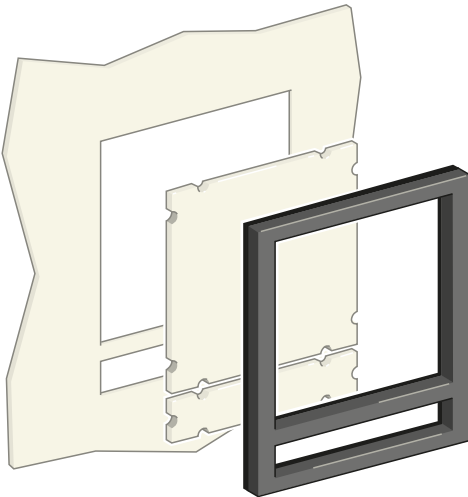
PE104382A32...eps



### Operation counter CDM

The operation counter sums the number of operating cycles and is visible on the front panel. It is compatible with manual and electrical control functions. This option is compulsory for all the source-changeover systems.

DB101173.eps



### Escutcheon CDP

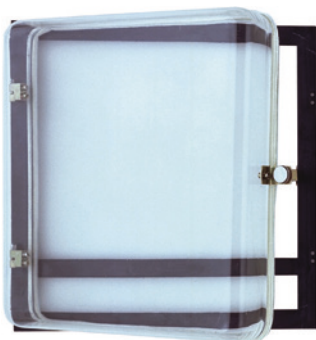
Optional equipment mounted on the door of the cubicle, the escutcheon increases the degree of protection to IP 40 (circuit breaker installed free standing: IP30). It is available in fixed and drawout versions.

### Blanking plate OP for escutcheon

Used with the escutcheon, this option closes off the door cut-out of a cubicle not yet equipped with a device. It may be used with the escutcheon for both fixed and drawout devices.

Escutcheon CDP with blanking plate.

PE100776-42.eps

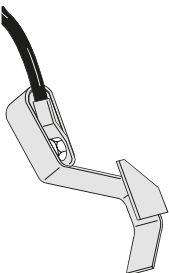


### Transparent cover CCP for escutcheon

Optional equipment mounted on the escutcheon, the cover is hinged and secured by a screw. It increases the degree of protection to IP54, IK10. It adapts to drawout devices.

Transparent cover CCP for escutcheon.

DB414776.eps



### Grounding kit KMT

This option allows the grounding of the breaker mechanism while the front cover is removed. The grounding is made via the chassis for the drawout version and via the fixation side plate for the fixed version.

Grounding kit KMT.



# Source-changeover systems

## Presentation

PB101013-50.eps



Some installations use two supply sources to counter the temporary loss of the main supply.

A source-changeover system is required to safely switch between the two sources. The replacement source can be a generator set or another network.

### Manual source-changeover system or MTSE: Manual Transfer Switching Equipment

The simplest way to switch the load.

It is controlled manually by an operator.

The time required to switch from the S1 source to S2 source is variable.

#### System

2 or 3 mechanically interlocked circuit breakers or switch-disconnectors.

#### Applications

Small commercial buildings and small and medium industrial activities where the need for continuity of service is significant but not a priority.



65587-117.eps



### Automatic source-changeover system or ATSE: Automatic Transfer Switching Equipment

A controller may be added to automatically control the operation of a changeover system. This may be achieved either by means of a dedicated ready to use controller (UC-BC) or by a traditional programmable logic controller (PLC).

These solutions ensure optimum energy management.

The time required to switch from the S1 source to S2 source is fixed.

#### System

2 or 3 circuit breakers or switch-disconnectors linked by an electrical interlocking system. A mechanical interlocking system protects also against incorrect manual operations, with an automatic control system (dedicated controllers).

#### Applications

Large infrastructures, industry, critical buildings & process where the continuity of service is a priority.

# Interlocking of devices

## Mechanical interlocking

A



Interlocking of two Masterpact NT or NW circuit breakers using connecting rods.

Schneider Electric offers source change-over systems based on Masterpact NT and NW devices.

They are made of up to 3 circuit breakers or switch-disconnectors linked by an electrical interlocking system that may have different configurations. Moreover, a mechanical interlocking system must be added to protect against electrical malfunctions or incorrect manual operations. In addition, a controller can be used for automatically control the source transfer.

The following pages present the different solutions for mechanical and electrical interlocking and associated controllers.

For implementing the mechanical interlocking 2 different possibilities are offered :

- interlocking with rods
- interlocking with cables.

### Interlocking of two Masterpact NT or NW devices using connecting rods

The two devices must be mounted one above the other (either 2 fixed or 2 drawout devices).

Combinations are possible between Masterpact NT and between Masterpact NW devices.

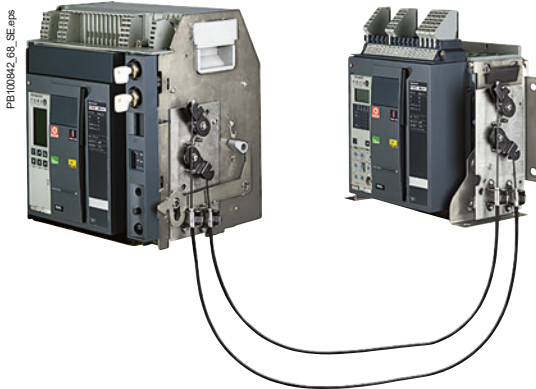
#### Installation

This function requires:

- an adaptation fixture on the right side of each circuit breaker or switch-disconnector
- a set of connecting rods with no-slip adjustments
- the use of a mechanical operation counter is mandatory.

The adaptation fixtures, connecting rods, circuit breakers and switch-disconnectors are supplied separately, ready for assembly by the customer.

The maximum vertical distance between the fixing planes is 900 mm.



Interlocking of two Masterpact circuit breakers using cable.

## Interlocking of two Masterpact NT/NW or up to three Masterpact NW devices using cables

For cable interlocking, the circuit breakers may be mounted one above the other or side-by-side.

The interlocked devices may be fixed or drawout, three-pole or four-pole, and may have different ratings and sizes.

### Interlocking between two Masterpact NT or NW

This function requires:

- an adaptation fixture on the right side of each device
- a set of cables without slip adjustments
- the use of a mechanical operation counter CDM is mandatory.

The maximum distance between the fixing planes (vertical or horizontal) is 2000 mm.

### Interlocking between three Masterpact NW

This function requires:

- a specific adaptation fixture installed on the right side of each device
- two sets of cables without slip adjustments
- the use of a mechanical operation counter CDM is mandatory.

The maximum distance between the fixing planes (vertical or horizontal) is 1000 mm.

### Installation

The adaptation fixtures, sets of cables and circuit breakers or switch-disconnectors are supplied separately, ready for assembly by the customer.

Installation conditions for cable interlocking systems:

- cable length: 2.5 m
- radius of curvature: 100 mm
- maximum number of curves: 3.

### Possible combinations of “Normal” and “Replacement” source circuit breakers

“Normal N”	“Replacement” R		
	NT06 to NT16	NW08 to NW40	NW40b to NW63
<b>NT06 to NT16</b>			
Ratings 250... 1600 A	■	■	■
<b>NW08 to NW40</b>			
Ratings 320... 4000 A	■	■	■
<b>NW40b to NW63</b>			
Ratings 4000... 6300 A	■	■	■

All combinations of two Masterpact NT and Masterpact NW devices are possible, whatever the rating or size of the devices.

### Possible combinations of three device

	NT06 to NT16	NW08 to NW40	NW40b to NW63
<b>NT06 to NT16</b>			
Ratings 250... 1600 A			
<b>NW08 to NW40</b>			
Ratings 320... 4000 A		■	■
<b>NW40b to NW63</b>			
Ratings 4000... 6300 A		■	■

Only Masterpact NW may be used for three-device combinations.

## Types of mechanical interlocking and combinations

### Choice criteria

In the applications where the continuity of service is critical <sup>(1)</sup> (data centers, airports, hospitals, marine, oil & gas, process industry, ...) the mechanical interlocking by rods and the drawout version devices are strongly recommended.

Mechanical interlocking by rods is preferred as less energy is consumed by friction, so it has less effect on the circuit breaker closing energy.

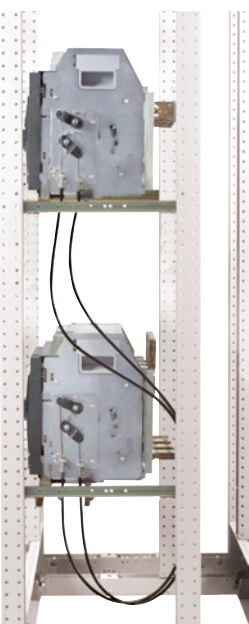
In terms of breaker mounting type, the drawout version is preferred as :

- it provides mechanical isolation of the circuit breaker from possible external stress on the terminals by having a flexible connection at the clusters level
- it allows simple and total access for periodic maintenance
- it allows quick replacement of the device if necessary.

When not possible, cable interlocking or fixed versions can be used, but the installation rules detailed in the 2 sections below must be strictly respected and mainly :

- the busbars or the cables used for the power connections must apply no stress on the circuit breakers terminals. Their weight must be supported by the switchboard frame.

Please refer to the “Switchboard integration - Installation rules – Power connection” section in this catalogue as well as to the Data Bulletin “Installation of Fixed Masterpact NW Circuit Breakers in Electrical Equipment – Class 0613” available on [www.schneider-electric.com](http://www.schneider-electric.com) for more details.



Interlocking of two Masterpact circuit breakers using cable.

(1) for more details please contact your local support.

**Note:** for cable length higher than 2,5m please consult us before ordering the circuit breakers for a customised solution.

See catalogue “Source changeover systems”, ref. LVPED211022EN.

# Electrical interlocking

## IVE unit

Electrical interlocking is used with a mechanical interlocking system.

Moreover, the relays controlling the closing order to the "S1" and "S2" circuit breakers must be mechanically and/or electrically interlocked to prevent them from giving simultaneous closing commands.

A

Electrical interlocking is carried out by an electrical control device.

For Masterpact, this function can be implemented in one of two ways:

- using the IVE unit
- by an electrician based on the diagrams in accordance with the chapter "Electric diagrams" of this catalogue.

### Characteristics of the IVE unit

- External connection terminal block:
  - inputs: circuit breaker control signals
  - outputs: status of the SDE contacts on the "S1" and "S2" source circuit breakers.
- 2 connectors for the two "S1" and "S2" source circuit breakers:
  - inputs:
    - status of the OF contacts on each circuit breaker (ON or OFF)
    - status of the SDE contacts on the "S1" and "S2" source circuit breakers
  - outputs: power supply for operating mechanisms.
- Control voltage:
  - 24 to 250 V DC
  - 48 to 415 V 50/60 Hz - 440 V 60 Hz.

The IVE unit control voltage must be same as that of the circuit breaker operating mechanisms.



IVE unit.

### Necessary equipment

For Masterpact NT and NW, each circuit breaker must be equipped with:

- a remote-operation system made up of:
  - MCH gear motor
  - MX or MN opening release
  - XF closing release
  - PF "ready to close" contact
  - CDM mechanical operation counter
- an available OF contact
- one to three CE connected-position contacts (carriage switches) on drawout circuit breakers (depending on the installation).

# Controller selection

By combining a remote-operated source-changeover system with an integrated BA or UA automatic controller, it is possible to automatically control source transfer according to user-selected sequences. These controllers can be used on source-changeover systems comprising 2 circuit breakers. For source-changeover systems comprising 3 circuit breakers, the automatic control diagram must be prepared by the installer as a complement to the diagrams provided in the “electrical diagrams” section of this catalogue.

DB403809.eps



BA controller.

DB403810.eps



UA controller.

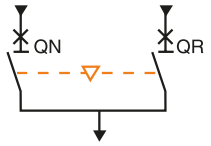
Controller		BA	UA					
Compatible circuit breakers		All Masterpact circuit breakers						
<b>4-position switch</b>								
Automatic operation		■	■					
Forced operation on “Normal” source		■	■					
Forced operation on “Replacement” source		■	■					
Stop (both “Normal” and “Replacement” sources off)		■	■					
<b>Automatic operation</b>								
Monitoring of the “Normal” source and automatic transfer		■	■					
Generator set startup control			■					
Delayed shutdown (adjustable) of generator set			■					
Load shedding and reconnection of non-priority circuits			■					
Transfer to the “Replacement” source if one of the phases of the “Normal” phase is absent			■					
<b>Test</b>								
By opening the P25M circuit breaker supplying the controller		■						
By pressing the test button on the front of the controller			■					
<b>Indications</b>								
Circuit breaker status indication on the front of the controller: on, off, fault trip		■	■					
Automatic mode indicating contact		■	■					
<b>Other functions</b>								
Selection of type of “Normal” source (single-phase or three-phase) <sup>(1)</sup>			■					
Voluntary transfer to “Replacement” source (e.g. energy management commands)		■	■					
During peak-tariff periods (energy management commands) forced operation on “Normal” source if “Replacement” source not operational			■					
Additional contact (not part of controller). Transfer to “Replacement” source only if contact is closed. (e.g. used to test the frequency of UR).		■	■					
Setting of maximum startup time for the replacement source			■					
<b>Options</b>								
Communication option								
<b>Power supply</b>								
Control voltages <sup>(2)</sup>		110 V	■	■				
		220 to 240 V 50/60 Hz	■	■				
		380 to 415 V 50/60 Hz and 440 V 60 Hz	■	■				
<b>Operating thresholds</b>								
Undervoltage		0.35 Un ≤ voltage ≤ 0.7 Un	■	■				
Phase failure		0.5 Un ≤ voltage ≤ 0.7 Un		■				
Voltage presence		voltage ≥ 0.85 Un	■	■				
<b>IP degree of protection (EN 60529) and IK degree of protection against external mechanical impacts (EN 50102)</b>								
Front		IP40	■	■				
Side		IP30	■	■				
Connectors		IP20	■	■				
Front		IK07	■	■				
<b>Characteristics of output contacts (dry, volt-free contacts)</b>								
Rated thermal current (A)		8						
Minimum load		10 mA at 12 V						
Output contacts:								
Position of the Auto/Stop switch		■	■					
Load shedding and reconnection order			■					
Generator set start order			■					
		<b>AC</b>	<b>DC</b>					
Utilisation category (IEC 947-5-1)		AC12	AC13	AC14	AC15	DC12	DC13	
Operational current (A)		24 V	8	7	5	5	8	2
		48 V	8	7	5	5	2	-
		110 V	8	6	4	4	0.6	-
		220/240 V	8	6	4	3	-	-
		250 V	-	-	-	-	0.4	-
		380/415 V	5	-	-	-	-	-
		440 V	4	-	-	-	-	-
		660/690 V	-	-	-	-	-	-

<sup>(1)</sup> For example, 220 V single-phase or 220 V three-phase.

<sup>(2)</sup> The controller is powered by the ACP control plate. The same voltage must be used for the ACP plate, the IVE unit and the circuit-breaker operating mechanisms. If this voltage is the same as the source voltage, then the “Normal” and “Replacement” sources can be used directly for the power supply. If not, an isolation transformer must be used.

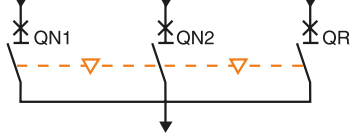
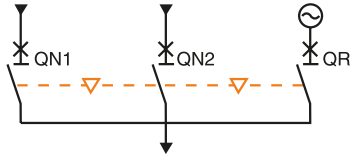
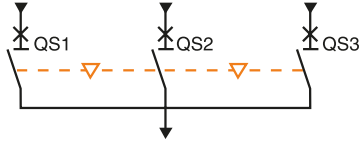
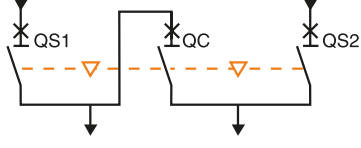
A

### Masterpact NT and NW

Types of mechanical interlocking	Possible combinations	Typical electrical diagrams	Diagram no.								
<b>2 devices</b> 	<table border="1"> <thead> <tr> <th>QN</th> <th>QR</th> </tr> </thead> <tbody> <tr> <td>0</td> <td>0</td> </tr> <tr> <td>1</td> <td>0</td> </tr> <tr> <td>0</td> <td>1</td> </tr> </tbody> </table>	QN	QR	0	0	1	0	0	1	<b>Masterpact NT and NW:</b> <ul style="list-style-type: none"> <li>■ electrical interlocking with lockout after fault:                             <ul style="list-style-type: none"> <li><input type="checkbox"/> permanent replacement source (with IVE)</li> <li><input type="checkbox"/> with EPO by MX (with IVE)</li> <li><input type="checkbox"/> with wEPO by MN (with IVE)</li> </ul> </li> <li>■ automatic control without lockout after fault:                             <ul style="list-style-type: none"> <li><input type="checkbox"/> permanent replacement source (with IVE)</li> <li><input type="checkbox"/> engine generator set (with IVE)</li> </ul> </li> <li>■ BA/UA controller (with IVE)</li> </ul>	<b>51201142</b> <b>51201143</b> <b>51201144</b>  <b>51156904</b> <b>51156905</b> <b>51156903</b>
QN	QR										
0	0										
1	0										
0	1										

A

### Masterpact NW only

Types of mechanical interlocking	Possible combinations	Typical electrical diagrams	Diagram no.																					
<b>3 devices: 2 "Normal" sources and 1 "Replacement" source</b> 	<table border="1"> <thead> <tr> <th>QN1</th> <th>QN2</th> <th>QR</th> </tr> </thead> <tbody> <tr> <td>0</td> <td>0</td> <td>0</td> </tr> <tr> <td>1</td> <td>1</td> <td>0</td> </tr> <tr> <td>0</td> <td>0</td> <td>1</td> </tr> </tbody> </table>	QN1	QN2	QR	0	0	0	1	1	0	0	0	1	<ul style="list-style-type: none"> <li>■ electrical interlocking:                             <ul style="list-style-type: none"> <li><input type="checkbox"/> without lockout after fault</li> <li><input type="checkbox"/> with lockout after fault</li> </ul> </li> </ul>	<b>51156906</b> <b>51156907</b>									
QN1	QN2	QR																						
0	0	0																						
1	1	0																						
0	0	1																						
<b>3 devices: 2 "Normal" sources and 1 "Replacement" source with source selection</b> 	<table border="1"> <thead> <tr> <th>QN1</th> <th>QN2</th> <th>QR</th> </tr> </thead> <tbody> <tr> <td>0</td> <td>0</td> <td>0</td> </tr> <tr> <td>1</td> <td>0</td> <td>0</td> </tr> <tr> <td>0</td> <td>0</td> <td>1</td> </tr> <tr> <td>1</td> <td>1</td> <td>0</td> </tr> <tr> <td>0</td> <td>1</td> <td>0</td> </tr> </tbody> </table>	QN1	QN2	QR	0	0	0	1	0	0	0	0	1	1	1	0	0	1	0	<ul style="list-style-type: none"> <li>■ automatic control with engine generator set:                             <ul style="list-style-type: none"> <li><input type="checkbox"/> without lockout after fault (with MN)</li> <li><input type="checkbox"/> with lockout after fault (with MN)</li> </ul> </li> </ul>	<b>51156908</b> <b>51156909</b>			
QN1	QN2	QR																						
0	0	0																						
1	0	0																						
0	0	1																						
1	1	0																						
0	1	0																						
<b>3 devices: 3 sources, only one device</b> 	<table border="1"> <thead> <tr> <th>QS1</th> <th>QS2</th> <th>QS3</th> </tr> </thead> <tbody> <tr> <td>0</td> <td>0</td> <td>0</td> </tr> <tr> <td>1</td> <td>0</td> <td>0</td> </tr> <tr> <td>0</td> <td>1</td> <td>0</td> </tr> <tr> <td>0</td> <td>0</td> <td>1</td> </tr> </tbody> </table>	QS1	QS2	QS3	0	0	0	1	0	0	0	1	0	0	0	1	<ul style="list-style-type: none"> <li>■ electrical interlocking:                             <ul style="list-style-type: none"> <li><input type="checkbox"/> without lockout after fault</li> <li><input type="checkbox"/> with lockout after fault</li> </ul> </li> </ul>	<b>51156910</b> <b>51156911</b>						
QS1	QS2	QS3																						
0	0	0																						
1	0	0																						
0	1	0																						
0	0	1																						
<b>3 devices: 2 sources + 1 coupling</b> 	<table border="1"> <thead> <tr> <th>QS1</th> <th>QC</th> <th>QS2</th> </tr> </thead> <tbody> <tr> <td>0</td> <td>0</td> <td>0</td> </tr> <tr> <td>1</td> <td>0</td> <td>1</td> </tr> <tr> <td>1</td> <td>1</td> <td>0</td> </tr> <tr> <td>0</td> <td>1</td> <td>1</td> </tr> <tr> <td>1</td> <td>0</td> <td>0</td> </tr> <tr> <td>0</td> <td>0</td> <td>1</td> </tr> </tbody> </table> <p><i>(1) possible by forcing operation</i></p>	QS1	QC	QS2	0	0	0	1	0	1	1	1	0	0	1	1	1	0	0	0	0	1	<ul style="list-style-type: none"> <li>■ electrical interlocking:                             <ul style="list-style-type: none"> <li><input type="checkbox"/> without lockout after fault</li> <li><input type="checkbox"/> with lockout after fault</li> </ul> </li> <li>■ automatic control with lockout after fault</li> </ul>	<b>51156912</b> <b>51156913</b> <b>51156914</b>
QS1	QC	QS2																						
0	0	0																						
1	0	1																						
1	1	0																						
0	1	1																						
1	0	0																						
0	0	1																						

"Lockout after fault" option. This option makes it necessary to manually reset the device following fault tripping.

# Masterpact NW with corrosion protection 800-4000 A

PB 108383AG0 eps



Masterpact NW circuit breakers with corrosion protection are designed for use in industrial environments with high concentrations of sulphur compounds. Examples include paper mills, oil refineries, steel works and water treatment plants, all of which produce large quantities of sulphur dioxide (SO<sub>2</sub>) or hydrogen sulphate (H<sub>2</sub>S). Under such conditions, silver-plated parts rapidly turn black due to the formation of silver sulphate (Ag<sub>2</sub>S) on the surface, an insulating material that can lead to abnormal temperature rise in electrical contacts. This phenomenon can have serious consequences on all equipment installed inside a switchboard.

Circuit breakers used in such environments generally require frequent maintenance and therefore a large number of replacement devices on the site. Furthermore, problems are often encountered even with intensive maintenance.

Masterpact NW circuit breakers with corrosion protection receive special surface treatment on all parts exposed to corrosion and critical with respect to electrical continuity. In this way, the availability of electrical power and operating safety are ensured without special maintenance for the following environmental condition classes as defined by standard IEC 721-3-3:

- 3C3 for H<sub>2</sub>S (concentrations from 2.1 to 7.1 x 10<sup>-6</sup>)
- 3C4 for SO<sub>2</sub> (concentrations from 4.8 to 14.8 x 10<sup>-6</sup>).

**The Masterpact NW range of power circuit breakers with corrosion protection offers the following features:**

- rated current from 800 A to 4000 A
- 3 and 4-pole models
- drawout circuit breaker
- operational voltage up to 690 V AC
- Ics breaking capacity of 100 kA at 220/415 V AC
- reverse feed possible
- stored-energy mechanism for instantaneous closing (source coupling).
- 3 types of RMS electronic protection
- adjustable long-time settings from 0.4 to 1 I<sub>n</sub>, with fine adjustment via local keypad or remote supervisor
- electronic functions dedicated to energy management and power-quality analysis.

## The Masterpact NW range complies with the main standards and certifications


- IEC 60947-1 and 60947-2
- IEC 68230 (damp heat) and IEC 68252 severity level 2 (salt mist)
- IEC 60068-2-42 and IEC 60068-2-43 for corrosive environments:
  - SO<sub>2</sub>: tested to IEC 60068-2-42 in a 3C4 environment as defined by IEC 60721-3-3
  - H<sub>2</sub>S: tested to IEC 60068-2-43 in a 3C3 environment as defined IEC 60721-3-3.

## A complete range of electrical accessories and auxiliaries

- Motor mechanism (MCH).
- Undervoltage release (MN, MNR).
- Shunt trip unit (MX).
- Closing release (XF).
- Auxiliary contacts (OF).
- Low-level indication contacts (SDE, PF, CD, CT, CE and EF).
- Electrical closing button (BPFE).
- Locking by padlocks and/or keylocks.
- Source-changeover systems for 2 or 3 devices.

## Maximum safety

The Masterpact NW range with corrosion protection offers the same safety features as the standard version:

- positive contact indication
- high impulse withstand voltage (12 kV)
- suitable for isolation in compliance with IEC 60947-2, as indicated by the disconnector symbol on the front face: 
- front face insulation class 2, allowing class 2 installations with breaker control from outside.

A

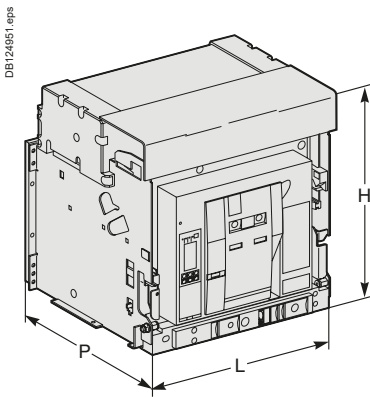
# Masterpact NW with corrosion protection 800-4000 A

A

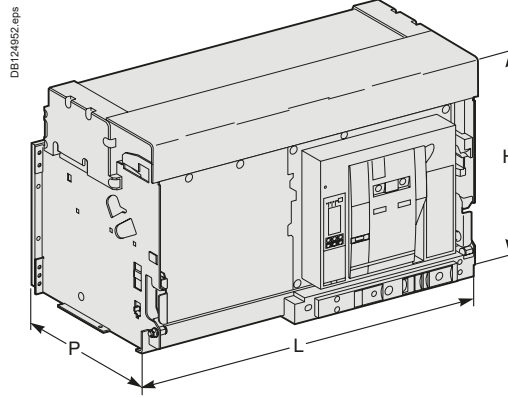
## Characteristics according to IEC 60 947-2

				NW08H2	NW10H2	NW12H2	NW16H2	NW20H2	NW25H2	NW32H2	NW40bH2	
Number of poles				3, 4								
Rated insulation voltage <b>Ui</b> (V)				1000								
Rated operational voltage <b>Ue</b> (V)				690								
Closing time (ms)				< 50								
Rated current <b>In</b> (A)	Vertical connection	40 °C	800	1000	1250	1600	2000	2500	3200	4000		
		45 °C	800	1000	1250	1600	2000	2500	3200	4000		
		50 °C	800	1000	1250	1600	2000	2500	3200	4000		
		55 °C	800	1000	1250	1550	1900	2500	3150	4000		
		60 °C	800	1000	1250	1500	1800	2500	3000	4000		
		Horizontal connection	40 °C	800	1000	1250	1600	2000	2500	-	4000	
	45 °C	800	1000	1250	1550	1900	2500	-	4000			
	50 °C	800	1000	1250	1500	1800	2500	-	4000			
	55 °C	800	1000	1250	1450	1700	2400	-	4000			
	60 °C	800	1000	1250	1400	1600	2300	-	3900			
	4 <sup>th</sup> pole rating				800	1000	1250	1600	2000	2500	3200	4000
	Rated ultimate breaking capacity	<b>Icu</b> (kA rms) CA 50/60 Hz	220/440 V	100	100	100	100	100	100	100	100	150
690 V			85	85	85	85	85	85	85	85	100	
Rated service breaking capacity		<b>Ics</b> = Icu x...	100 %	100 %	100 %	100 %	100 %	100 %	100 %	100 %	100 %	
Break time (ms)			Total maxi	25 to 30 with no intentional delay								

## Dimensions and connection



Masterpact NW08 to NW32 with corrosion protection.



Masterpact NW40b with corrosion protection.

Drawout device	L (mm)		H (mm)	P (mm)
	3P	4P		
800 to 3200 A	441	556	439	395
4000 A	786	1016	479	395

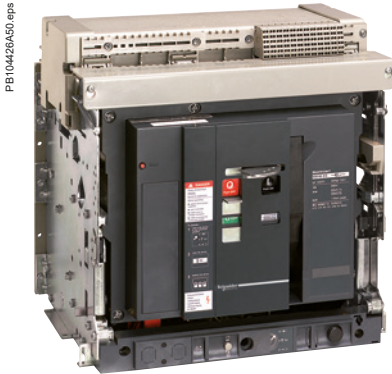
### Connections

- Power circuits:
  - vertical rear connections as standard
  - possibility of conversion to horizontal rear connections on-site by rotating the connectors, except for NW32, available with vertical rear connections only.
- Auxiliaries connected to terminal block on circuit breaker front face.



# Earthing switch Masterpact

The Masterpact Earthing Switch can be racked into any compatible Masterpact NW chassis in place of a Masterpact circuit breaker. It is used to interconnect and earth the phase and neutral conductors of an electrical installation to ensure the safety of personnel during servicing. It can be locked in earthed position.



## Main characteristics

Rated insulation voltage	1000 V
Rated operational voltage	690 V
Rated current	800 to 4000 A
Latching capacity	135 kA peak
Rated short-time withstand current	60 kA/1s 50 kA/3s
Compatibility	Compatible with drawout NW08 to NW40 circuit breakers, types N1/H1/NA/HA, 3-pole and 4-pole rear connected versions
Remote indication	12 ON/OFF indication contacts that can be used according to the chassis auxiliary wiring

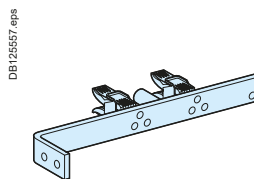
**The Earthing Switch is compatible with Masterpact NW08 to NW40 type N1, H1, NA and HA circuit breakers in both 3-pole and 4-pole versions. It has two parts:**

- a chassis earthing kit for installation on the Masterpact NW chassis. Two different versions are available for 3-pole and 4-pole chassis.
- the Earthing Switch itself, which is a specific Masterpact NW device that can be racked into any chassis equipped with an earthing kit, in place of the circuit breaker. Two versions are available (3-pole and 4-pole).

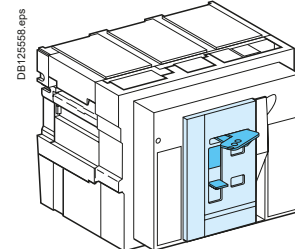
An earthing kit must be installed on the chassis of each circuit breaker protecting a circuit that may require earthing while work is being carried out. However, a single earthing switch is often sufficient for an entire installation if only one circuit is to be serviced at any given time.

The standard Earthing Switch comes with the short-circuit bar installed across the bottom (downstream) connections for earthing of the upstream portion of the circuit. The user can easily move the short-circuit bar to the top connections if the downstream portion of the circuit needs to be earthed.

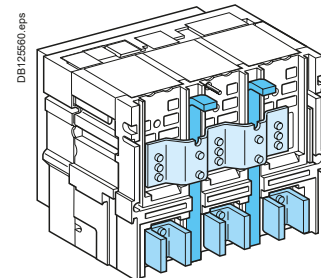
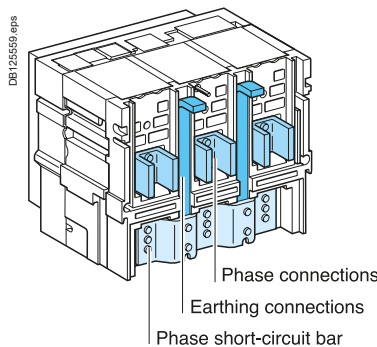
## Earthing kit (for chassis)



## Earthing switch (front view)



## Earthing switch (rear view)



With short-circuit bar on the bottom connections. With short-circuit bar on the top connections.

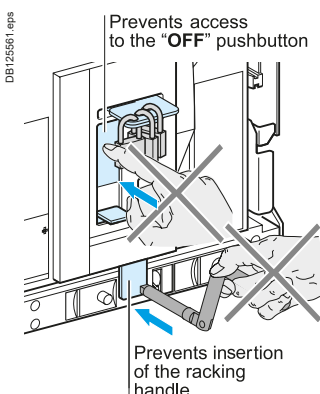
## Locking in earthed position by 3 padlocks

The standard Earthing Switch can be locked in earthed position by one to three padlocks as long as the following conditions are satisfied:

- the Earthing Switch must be in "connected" position in a chassis equipped with an earthing kit
  - the Earthing Switch must be in "ON" position.
- Under these conditions, the installation is earthed.

**When the Earthing Switch is locked in earthed position:**

- it cannot be moved to "disconnected" position (a shutter prevents insertion of the racking handle)
- it cannot be turned "OFF" (a shutter prevents access to the "OFF" pushbutton).



# Earthing switch Masterpact

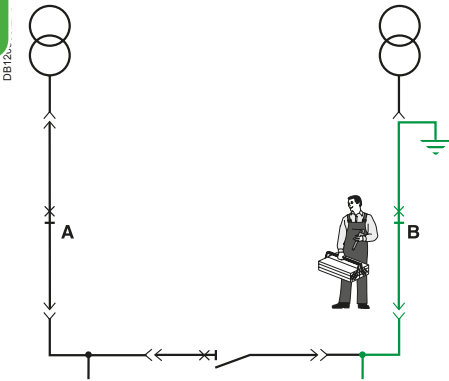
## Typical applications

The earthing switch is used to protect maintenance personnel working on an installation against the risk of accidental connection of a parallel source or energisation by reverse power. Protection is provided by earthing the part of the installation that is to be worked on.

### Application n°1

#### Earthing of one section of a coupled busbar arrangement

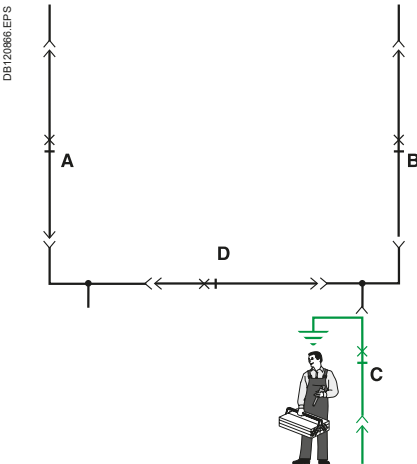
A



When working on section **B**, the bus coupler is normally open. To protect personnel in the event of accidental closing of this device, an earthing switch with the upstream terminals earthed is installed in place of the circuit breaker at **B**. In this way section **B** will remain at earth potential under all circumstances and the personnel can work in complete safety.

### Application n°2

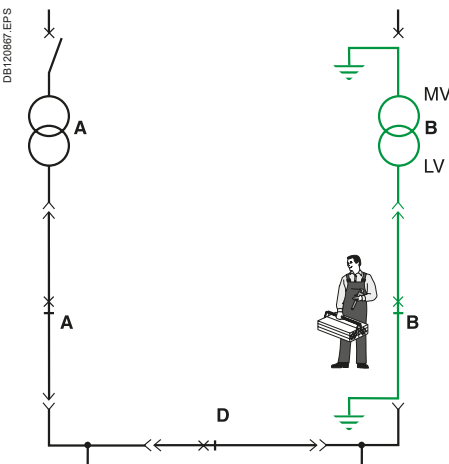
#### Earthing an outgoer



When working on outgoer **C**, installation of an earthing switch with the upstream terminals earthed (in place of the circuit breaker at **C**) ensures complete safety even if all the other devices on the installation are closed.

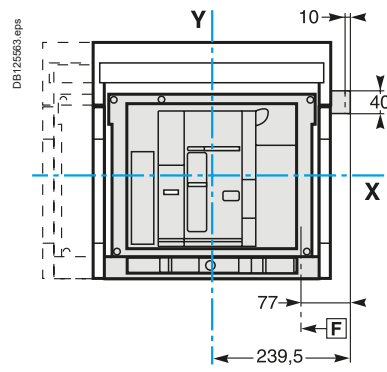
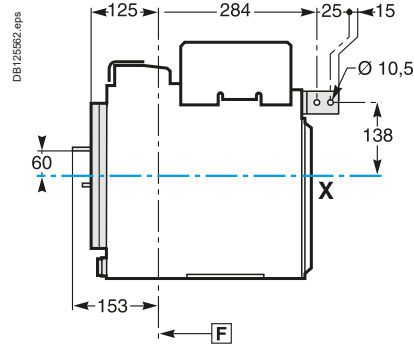
### Application n°3

#### Earthing of an MV/LV transformer



When working on an MV/LV transformer, upstream earthing is carried out by means of the usual medium voltage and high voltage procedures. Installation of an earthing switch with the downstream terminals earthed (in place of the circuit breaker at **B**) maintains the part of the installation between the upstream MV circuit breaker and the downstream LV circuit breaker at earth potential. In this way, the personnel can work in complete safety even if the rest of the installation is energised.

### Dimensions and connection

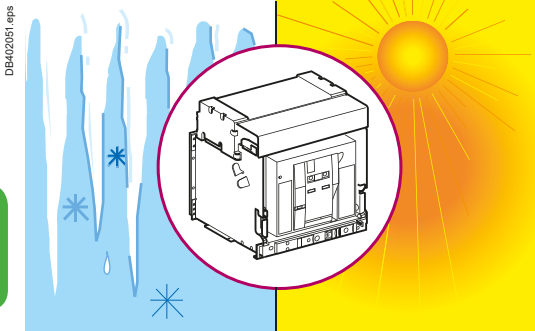


# Installation recommendations

<i>Presentation</i>	2
<i>Functions and characteristics</i>	A-1
<b>Operating conditions</b>	<b>B-2</b>
<b>Installation in switchboard</b>	<b>B-4</b>
<b>Door interlock catch</b>	<b>B-6</b>
<b>Power connection</b>	<b>B-8</b>
<b>Recommended busbars drilling</b>	
Masterpact NT06 to NT16	B-10
Masterpact NW08 to NW63	B-11
<b>Busbar sizing</b>	<b>B-12</b>
<b>Temperature derating</b>	
<b>Power dissipation and input / output resistance</b>	<b>B-14</b>
<b>Derating in switchboards</b>	<b>B-15</b>
<b>Substitution kit</b>	
Fixed / drawout devices 800 to 3200 A	B-22
<b>Control wiring</b>	<b>B-23</b>
<b>Masterpact M Retrofit</b>	<b>B-24</b>
<i>Dimensions and connections</i>	C-1
<i>Electrical diagrams</i>	D-1
<i>Additional characteristics</i>	E-1
<i>Catalogue numbers and order form</i>	F-1

B

Masterpact circuit breakers have been tested for operation in industrial atmospheres. It is recommended that the equipment be cooled or heated to the proper operating temperature and kept free of excessive vibration and dust.



### Ambient temperature

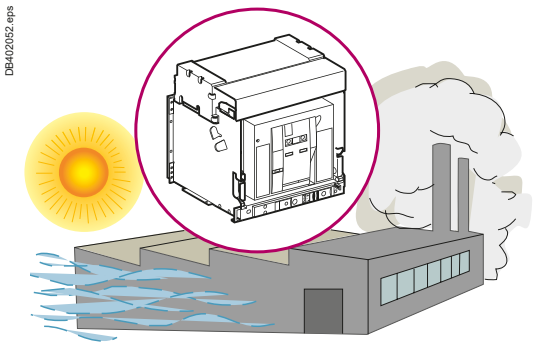
Masterpact devices can operate under the following temperature conditions:

- the electrical and mechanical characteristics are stipulated for an ambient temperature of -25 °C to +70 °C
- circuit breaker closing is guaranteed down to -35 °C by manual operation (push button).

Storage conditions are as follows:

- -40 to +85 °C for a Masterpact device without its control unit
- -25 °C to +85 °C for the control unit.

B



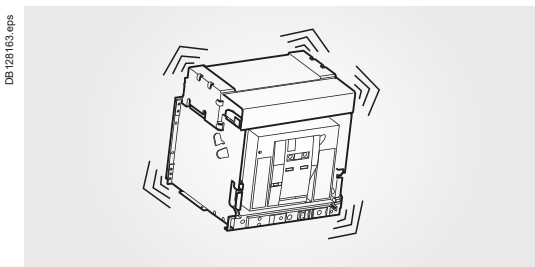
### Extreme atmospheric conditions

Masterpact devices have successfully passed the tests defined by the following standards for extreme atmospheric conditions:

- IEC 60068-2-1: dry cold at -40 °C
- IEC 60068-2-2: dry heat at +85 °C
- IEC 60068-2-30: damp heat (temperature +55 °C, relative humidity 95 %)
- IEC 60068-2-52 level 2: salt mist.

Masterpact devices can operate in the industrial environments defined by standard IEC 60947 (pollution degree up to 4).

It is nonetheless advised to check that the devices are installed in suitably cooled switchboards without excessive dust.



### Vibrations

Masterpact devices have successfully passed testing in compliance with IEC 60068-2-6 for the following vibration levels:

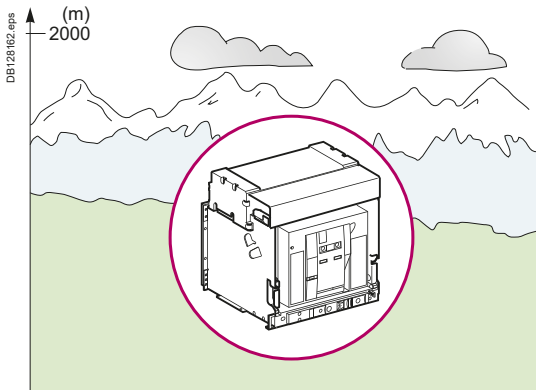
- 2 to 13.2 Hz: amplitude  $\pm 1$  mm
- 13.2 to 100 Hz: constant acceleration 0.7 g.

Vibration testing to these levels is required by merchant marine inspection organisations (Veritas, Lloyd's, etc).

Some applications have vibration profiles outside of this standard and require special attention during application design, installation, and use. Excessive vibration may cause unexpected tripping, damage to connections or to other mechanical parts. Please refer to the Masterpact maintenance guide (causes of accelerated ageing / operating conditions / vibrations) for additional information.

Examples of applications with high vibration profiles could include:

- wind turbines
- power frequency converters that are installed in the same switchboard or close proximity to the Masterpact circuit breaker
- emergency generators
- high vibration marine applications such as thrusters, anchor positioning systems, etc.



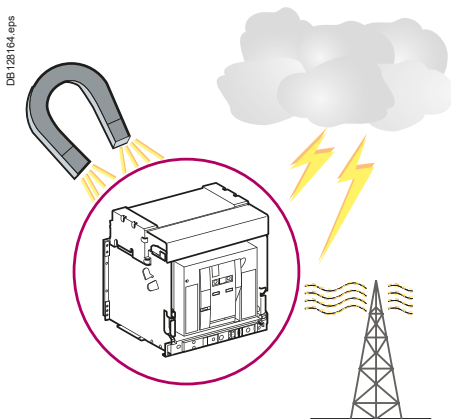
### Altitude

At altitudes higher than 2000 metres, the modifications in the ambient air (electrical resistance, cooling capacity) lower the following characteristics as follows:

Altitude (m)	2000	3000	4000	5000
Impulse withstand voltage $U_{imp}$ (kV)	12	11	10	8
Rated insulation voltage ( $U_i$ )	1000	900	780	700
Maximum rated operational voltage 50/60 Hz $U_e$ (V)	NT, NW except H10	690	630	560
	NW H10	1000	795	700
Rated current 40 °C	$1 \times I_n$	$0.99 \times I_n$	$0.96 \times I_n$	$0.94 \times I_n$

**Note:** intermediate values may be obtained by interpolation.

B



### Electromagnetic disturbances

Masterpact devices are protected against:

- overvoltages caused by devices that generate electromagnetic disturbances
- overvoltages caused by atmospheric disturbances or by a distribution-system outage (e.g. failure of a lighting system)
- devices emitting radio waves (radios, walkie-talkies, radar, etc.)
- electrostatic discharges produced by users.

Masterpact devices have successfully passed the electromagnetic-compatibility tests (EMC) defined by the following international standards:

- IEC 60947-2, appendix F
- IEC 60947-2, appendix B (trip units with earth-leakage function).

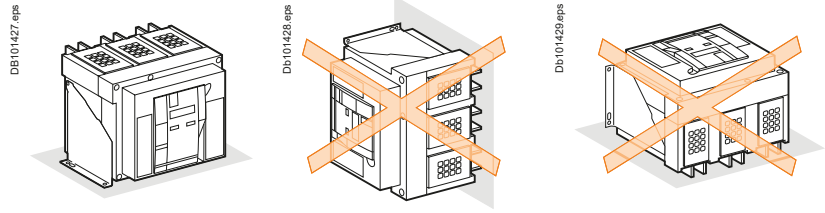
The above tests guarantee that:

- no nuisance tripping occurs
- tripping times are respected.

# Installation in switchboard

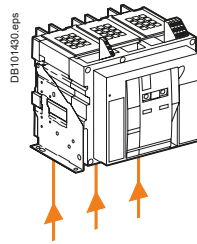
B

## Possible positions



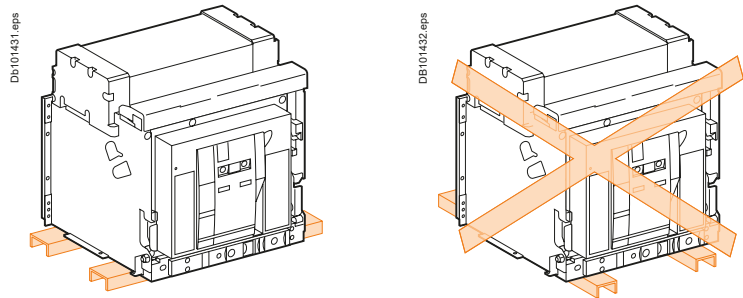
## Power supply

Masterpact devices can be supplied either from the top or from the bottom without reduction in performance, in order to facilitate connection when installed in a switchboard.

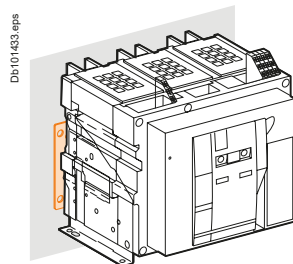


## Mounting the circuit breaker

It is important to distribute the weight of the device uniformly over a rigid mounting surface such as rails or a base plate. This mounting plane should be perfectly flat (tolerance on support flatness: 2 mm). This eliminates any risk of deformation which could interfere with correct operation of the circuit breaker. Masterpact devices can also be mounted on a vertical plane using the special brackets.



Mounting on rails.

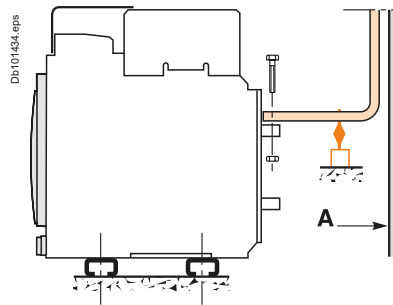


Mounting with vertical brackets.

### Partitions

Sufficient openings must be provided in partitions to ensure good air circulation around the circuit breaker; Any partition between upstream and downstream connections of the device must be made of non-magnetic material.

For high currents, of 2500 A and upwards, the metal supports or barriers in the immediate vicinity of a conductor must be made of non-magnetic material **A**. Metal barriers through which a conductor passes must not form a magnetic loop.

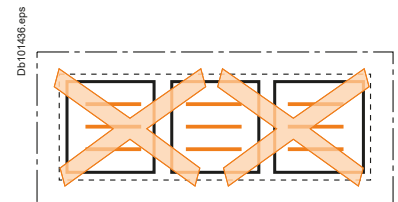
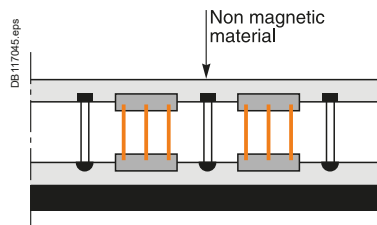


A : non magnetic material.



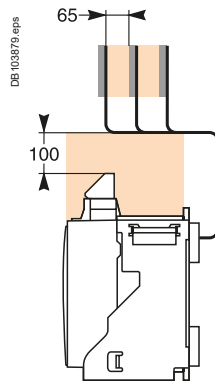
### Busbars (NT, NW)

The mechanical connection must exclude the possibility of formation of a magnetic loop around a conductor.



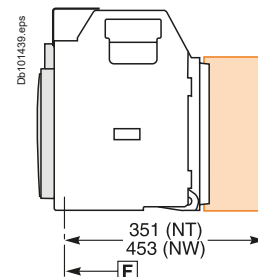
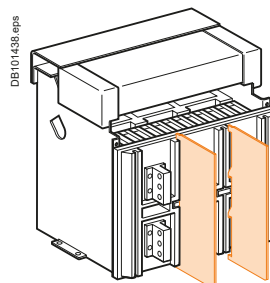
### Busbars (NT)

For live busbars installed immediately above the circuit breaker (respecting the 100 mm safety clearance), the distance between bars must be 65 mm minimum. In a 1000 V system, the bars must be insulated.



### Interphase barrier

If the insulation distance between phases is not sufficient ( $\leq 14$  mm), it is advised to install phase barriers (taking into account the safety clearances). Mandatory for a Masterpact NT > 500 V.



B



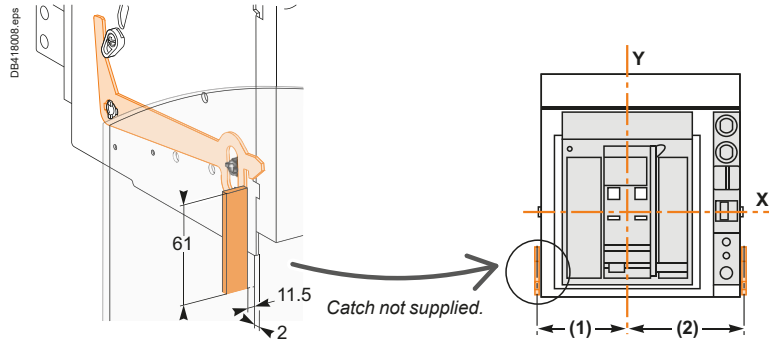
# Door interlock catch

## Door interlock VPEC

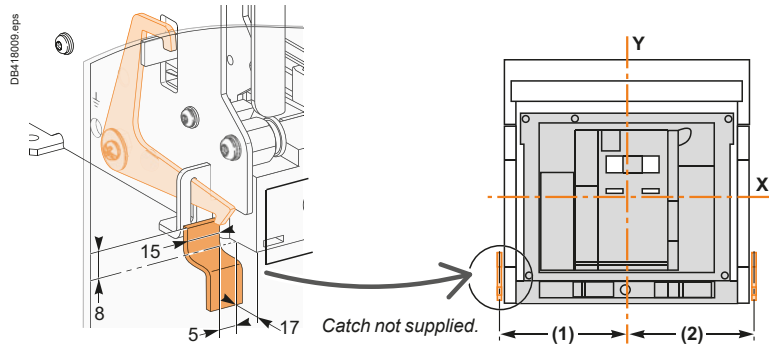
Mounted on the right or left-hand side of the chassis, this device inhibits opening of the cubicle door when the circuit breaker is in “connected” or “test” position. If the breaker is put in the “disconnected” position with the door open, the door may be closed without having to disconnect the circuit breaker.

### Dimensions (mm)

Type	(1)	(2)
NT08-16 (3P)	135	168
NT08-16 (4P)	205	168
NW08-40 (3P)	215	215
NW08-40 (4P)	330	215
NW40b-63 (3P)	660	215
NW40b-63 (4P)	775	215



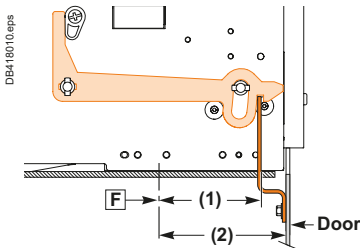
NT06-16.



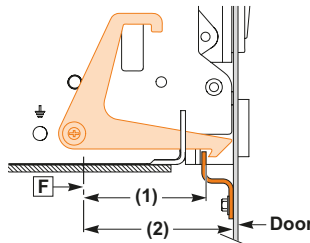
NT08-63.

## Breaker in “connected” or “test” position

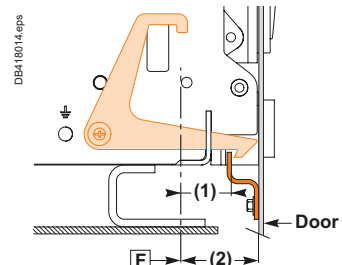
Door cannot be opened



NT06-16.



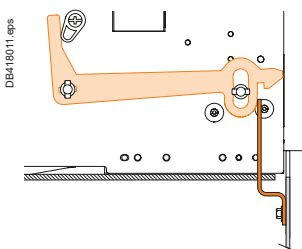
NW08-40.



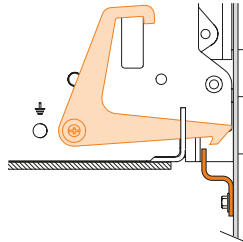
NW40b-63.

## Breaker in “disconnected” position

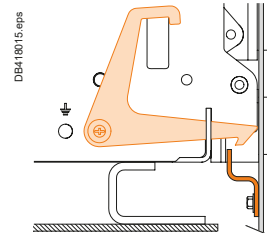
Door can be opened



NT06-16.



NW08-40.



NW40b-63.

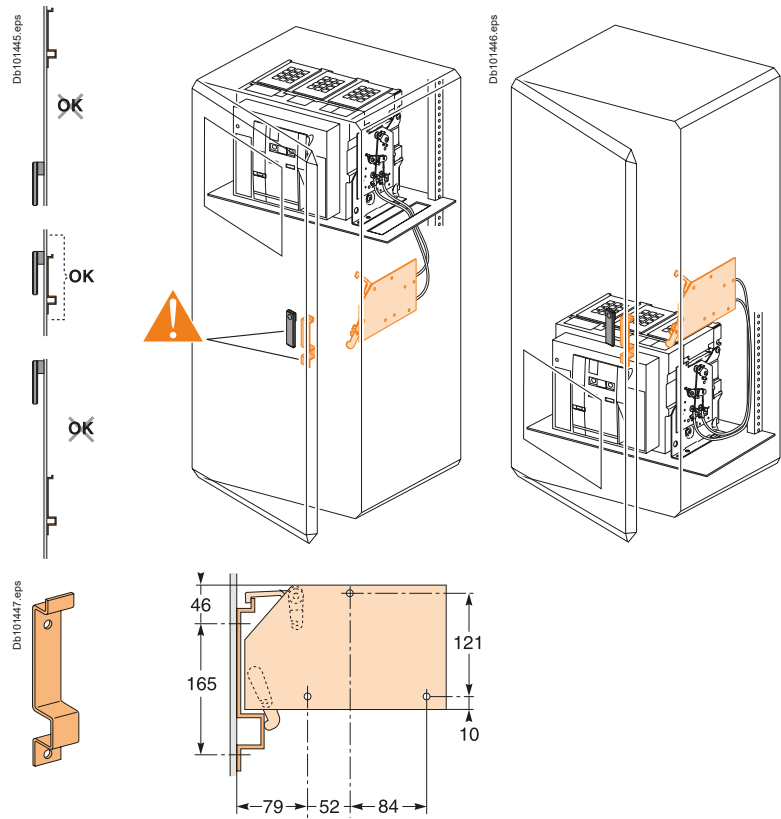
### Dimensions (mm)

Type	(1)	(2)
NT	5	23
NW08-40	87	103
NW40b-63	37	53

### Cable-type door interlock IPA

This option prevents door opening when the circuit breaker is closed and prevents circuit breaker closing when the door is open.

For this, a special plate associated with a lock and a cable is mounted on the right side of the circuit breaker. With this interlock installed, the source changeover function cannot be implemented.



**Note:** the door interlock can either be mounted on the right side or the left side of the breaker.

**F** : datum.

# Power connection

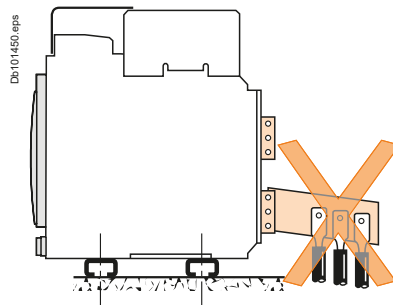
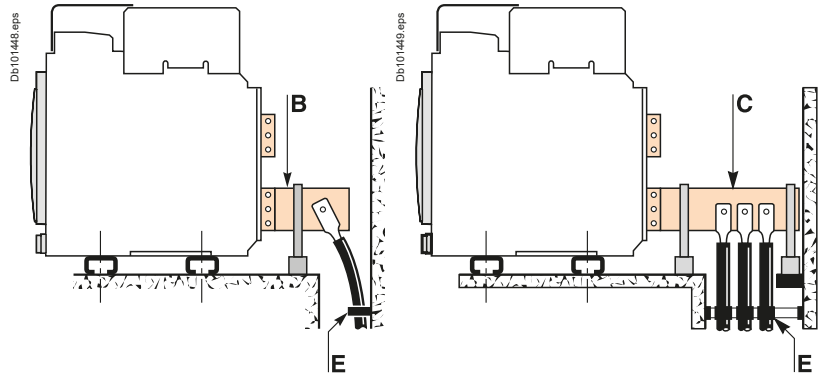
## Cables connections

If cables are used for the power connections, make sure that they do not apply excessive mechanical forces to the circuit breaker terminals.

For this, make the connections as follows:

- extend the circuit breaker terminals using short bars designed and installed according to the recommendations for bar-type power connections:
  - for a single cable, use solution **B** opposite
  - for multiple cables, use solution **C** opposite
- in all cases, follow the general rules for connections to busbars:
  - position the cable lugs before inserting the bolts
  - the cables should firmly secured to the framework **E**.

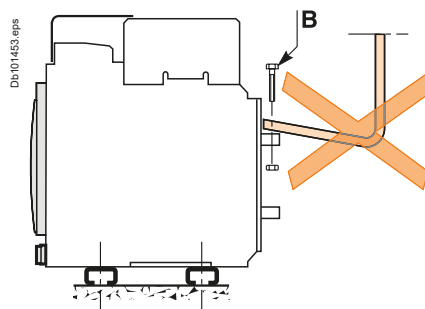
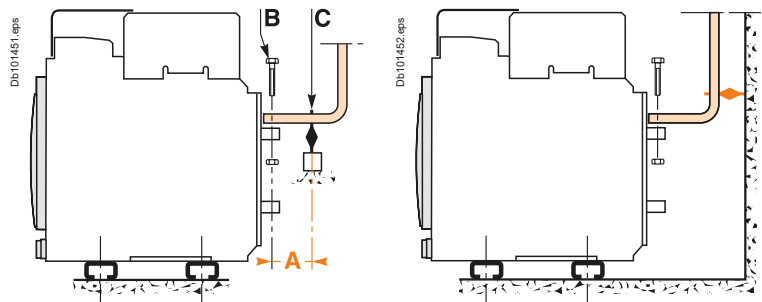
B



## Busbars connections

The busbars should be suitably adjusted to ensure that the connection points are positioned on the terminals before the bolts are inserted **B**.

The connections are held by the support which is solidly fixed to the framework of the switchboard, such that the circuit breaker terminals do not have to support its weight **C** (this support should be placed close to the terminals).

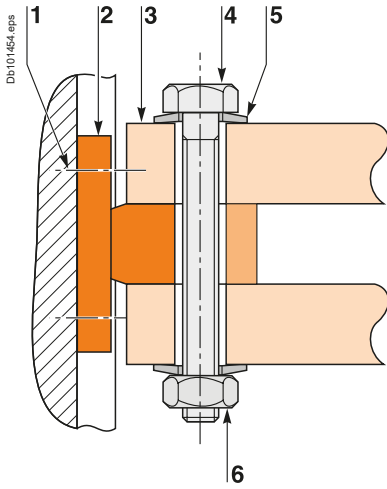


## Electrodynamic stresses

The first busbar support or spacer shall be situated within a maximum distance from the connection point of the breaker (see table below). This distance must be respected so that the connection can withstand the electrodynamic stresses between phases in the event of a short circuit.

**Maximum distance A between busbar to circuit breaker connection and the first busbar support or spacer with respect to the value of the prospective short-circuit current.**

Isc (kA)	30	50	65	80	100	150
Distance A (mm)	350	300	250	150	150	150



- 1 Terminal screw factory-tightened to 16 Nm (NW), 13 Nm (NT).
- 2 Breaker terminal.
- 3 Busbar.
- 4 Bolt.
- 5 Washer.
- 6 Nut.

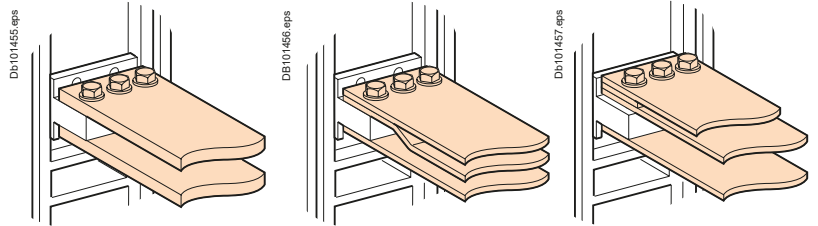
### Clamping

Correct clamping of busbars depends amongst other things, on the tightening torques used for the nuts and bolts. Over-tightening may have the same consequences as under-tightening.

For connecting busbars (Cu ETP-NFA51-100) to the circuit breaker, the tightening torques to be used are shown in the table below.

These values are for use with copper busbars and steel nuts and bolts, class 8.8. The same torques can be used with AGS-T52 quality aluminium bars (French standard NFA 02-104 or American National Standard H-35-1).

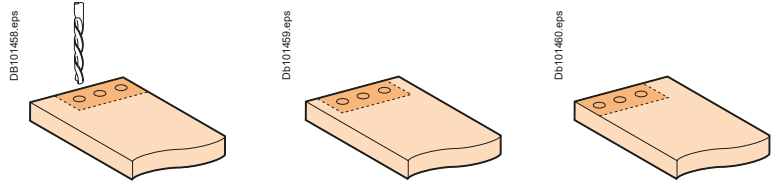
### Examples



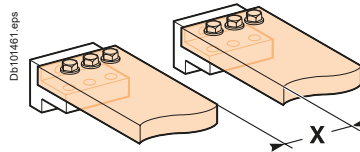
Tightening torques			
Ø (mm) Nominal	Ø (mm) Drilling	Tightening torques (Nm) with grower or flat washers	Tightening torques (Nm) with contact or corrugatec washers
10	11	37.5	50

### Busbar drilling

#### Examples



### Isolation distance

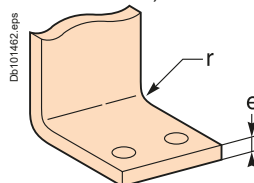


### Dimensions (mm)

Ui	X min
600 V	8 mm
1000 V	14 mm

### Busbar bending

When bending busbars maintain the radius indicated below (a smaller radius would cause cracks).



### Dimensions (mm)

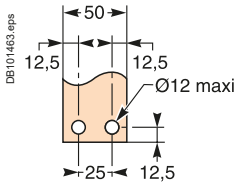
e	Radius of curvature r	
	Min	Recommended
5	5	7.5
10	15	18 to 20



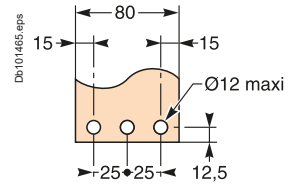
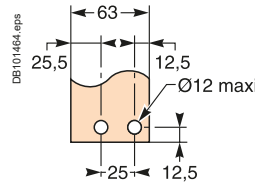
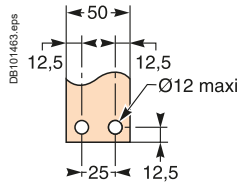
# Recommended busbars drilling

## Masterpact NT06 to NT16

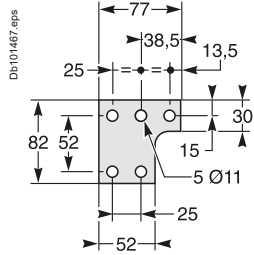
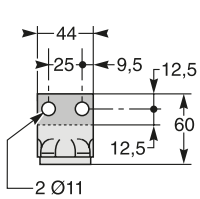
### Rear connection



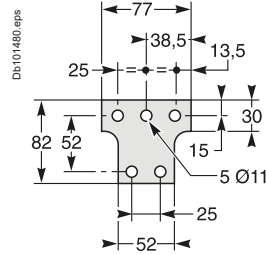
### Rear connection with spreaders



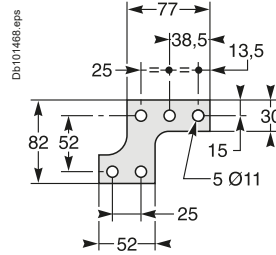
### Middle left or middle right spreader for 4P



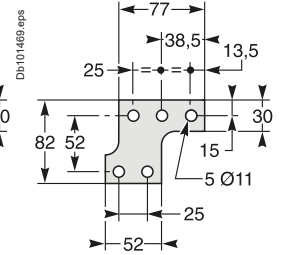
### Middle spreader for 3P



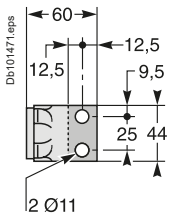
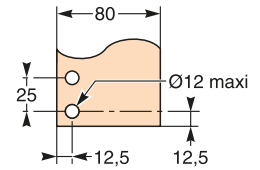
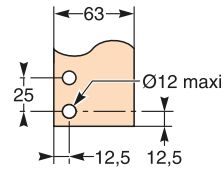
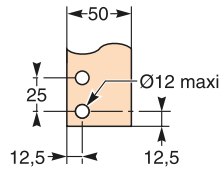
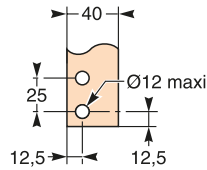
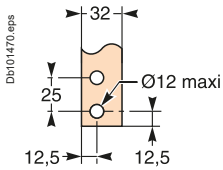
### Left or right spreader for 4P



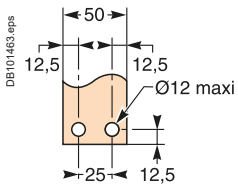
### Left or right spreader for 3P



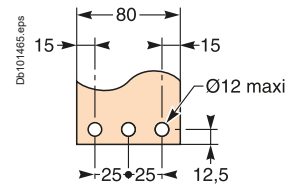
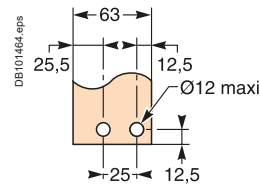
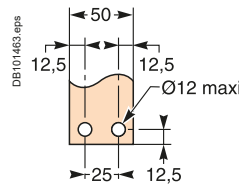
### Vertical rear connection



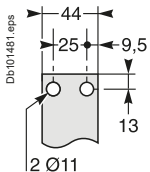
### Front connection



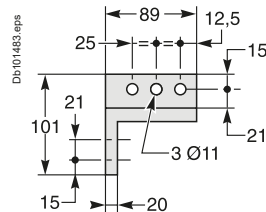
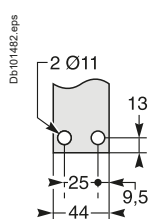
### Front connection via vertical connection adapters



### Top connection

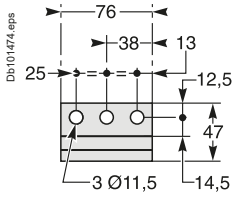
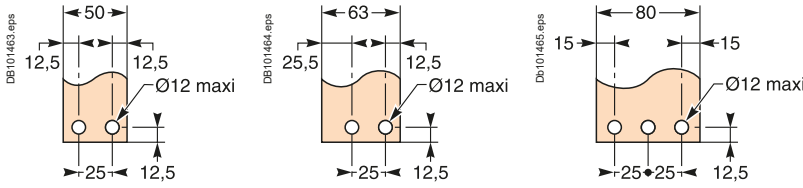


### Bottom connection

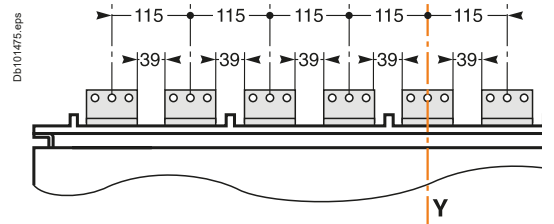
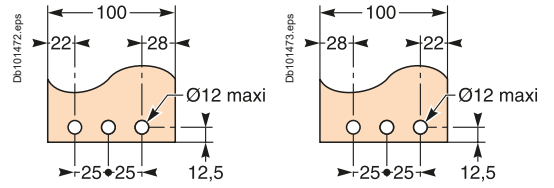


# Masterpact NW08 to NW63

## Horizontal rear connection NW08 to NW32

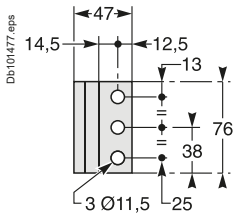
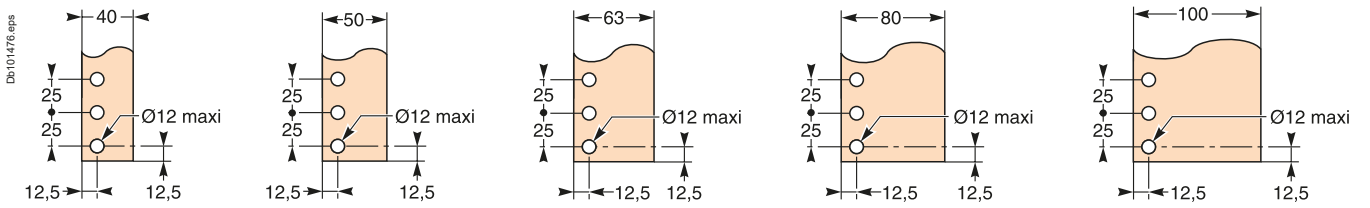


## NW40b to NW50

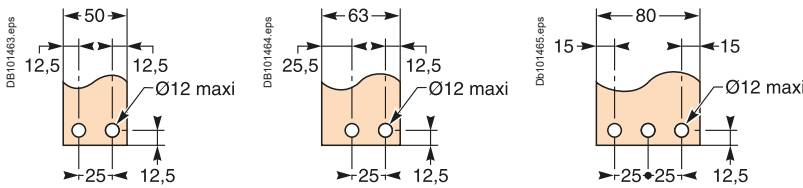


B

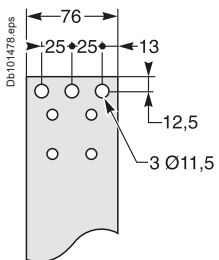
## Vertical rear connection NW08 to NW32, NW40b to NW50



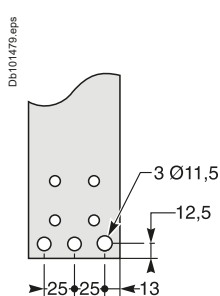
## Front connection NW08 to NW32



### Top connection



### Bottom connection



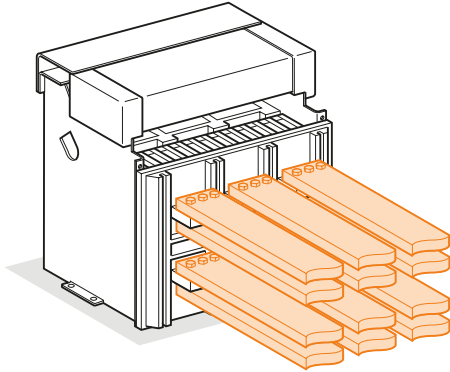
# Busbar sizing

**Basis of tables:**

- maximum permissible busbars temperature: 100 °C
- Ti: temperature around the circuit breaker and its connection
- busbar material is unpainted copper.

## Front or rear horizontal connection

DE101484.eps



B

Masterpact	Maximum service current	Ti : 40 °C		Ti : 50 °C		Ti : 60 °C	
		No. of 5 mm thick bars	No. of 10 mm thick bars	No. of 5 mm thick bars	No. of 10 mm thick bars	No. of 5 mm thick bars	No. of 10 mm thick bars
NT06	400	2b.30 x 5	1b.30 x 10	2b.30 x 5	1b.30 x 10	2b.30 x 5	1b.30 x 10
NT06	630	2b.40 x 5	1b.40 x 10	2b.40 x 5	1b.40 x 10	2b.40 x 5	1b.40 x 10
NT08 or NW08	800	2b.50 x 5	1b.50 x 10	2b.50 x 5	1b.50 x 10	2b.50 x 5	1b.63 x 10
NT10 or NW10	1000	3b.50 x 5	1b.63 x 10	3b.50 x 5	2b.50 x 10	3b.63 x 5	2b.50 x 10
NT12 or NW12	1250	3b.50 x 5	2b.40 x 10	3b.50 x 5	2b.50 x 10	3b.63 x 5	2b.50 x 10
		2b.80 x 5	2b.40 x 10	2b.80 x 5			
NT16 or NW16	1400	3b.63 x 5	2b.40 x 10	3b.63 x 5	2b.50 x 10	3b.80 x 5	2b.63 x 10
NT16 or NW16	1600	3b.80 x 5	2b.63 x 10	3b.80 x 5	2b.63 x 10	3b.80 x 5	3b.50 x 10
		NW20	1800	3b.80 x 5	2b.63 x 10	3b.80 x 5	2b.63 x 10
NW20	2000	3b.100 x 5	2b.80 x 10	3b.100 x 5	2b.80 x 10	3b.100 x 5	3b.63 x 10
NW25	2200	4b.100 x 5	2b.80 x 10	4b.100 x 5	2b.80 x 10	4b.100 x 5	2b.100 x 10
NW25	2500	4b.100 x 5	2b.100 x 10	4b.100 x 5	2b.100 x 10	4b.100 x 5	3b.80 x 10
NW32	2800	4b.100 x 5	3b.80 x 10	4b.100 x 5	3b.80 x 10	5b.100 x 5	3b.100 x 10
		3000	5b.100 x 5	3b.80 x 10	6b.100 x 5	3b.100 x 10	8b.100 x 5
NW32	3200	6b.100 x 5	3b.100 x 10	8b.100 x 5	3b.100 x 10		4b.100 x 10
		NW40	3800		4b.100 x 10		5b.100 x 10
NW40	4000		5b.100 x 10		5b.100 x 10		6b.100 x 10
NW50	4500		6b.100 x 10		6b.100 x 10		7b.100 x 10
NW50	5000		7b.100 x 10		7b.100 x 10		

With Masterpact NT, it is recommended to use 50 mm wideness bars (see "Recommended busbars drilling").

### Example

**Conditions:**

- drawout version
- horizontal busbars
- Ti: 50 °C
- service current: 1800 A.

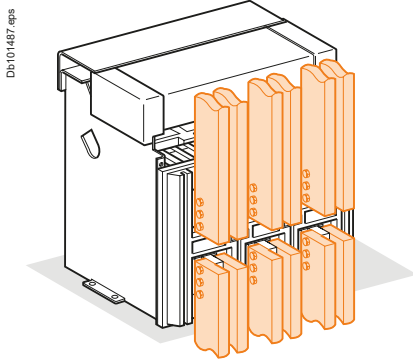
**Solution:**

For Ti = 50 °C, use an NW20 which can be connected with three 80 x 5 mm bars or two 63 x 10 mm bars.

*Note: the values indicated in these tables have been extrapolated from test data and theoretical calculations. These tables are only intended as a guide and cannot replace industrial experience or a temperature rise test.*

**Basis of tables:**

- maximum permissible busbars temperature: 100 °C
- Ti: temperature around the circuit breaker and its connection
- busbar material is unpainted copper.

**Rear vertical connection**

D:\101487.eps

B

Masterpact	Maximum service current	Ti : 40 °C		Ti : 50 °C		Ti : 60 °C	
		No. of 5 mm thick bars	No. of 10 mm thick bars	No. of 5 mm thick bars	No. of 10 mm thick bars	No. of 5 mm thick bars	No. of 10 mm thick bars
NT06	400	2b.30 x 5	1b.30 x 10	2b.30 x 5	1b.30 x 10	2b.30 x 5	1b.30 x 10
NT06	630	2b.40 x 5	1b.40 x 10	2b.40 x 5	1b.40 x 10	2b.40 x 5	1b.40 x 10
NT08 or NW08	800	2b.50 x 5	1b.50 x 10	2b.50 x 5	1b.50 x 10	2b.50 x 5	1b.50 x 10
NT10 or NW10	1000	2b.50 x 5	1b.50 x 10	2b.50 x 5	1b.50 x 10	2b.63 x 5	1b.63 x 10
NT12 or NW12	1250	2b.63 x 5	1b.63 x 10	3b.50 x 5	2b.40 x 10	3b.50 x 5	2b.40 x 10
NT16 or NW16	1400	2b.80 x 5	1b.80 x 10	2b.80 x 5	2b.50 x 10	3b.63 x 5	2b.50 x 10
NT16 or NW16	1600	3b.63 x 5	2b.50 x 10	3b.63 x 5	2b.50 x 10	3b.80 x 5	2b.63 x 10
NW20	1800	2b.100 x 5	1b.80 x 10	2b.100 x 5	2b.50 x 10	3b.80 x 5	2b.63 x 10
NW20	2000	3b.100 x 5	2b.63 x 10	3b.100 x 5	2b.63 x 10	3b.100 x 5	2b.80 x 10
NW25	2200	3b.100 x 5	2b.63 x 10	3b.100 x 5	2b.63 x 10	3b.100 x 5	2b.80 x 10
NW25	2500	4b.100 x 5	2b.80 x 10	4b.100 x 5	2b.80 x 10	4b.100 x 5	3b.80 x 10
NW32	2800	4b.100 x 5	2b.100 x 10	4b.100 x 5	2b.100 x 10	4b.100 x 5	3b.80 x 10
NW32	3000	5b.100 x 5	3b.80 x 10	6b.100 x 5	3b.100 x 10	5b.100 x 5	4b.80 x 10
NW32	3200	6b.100 x 5	3b.100 x 10	6b.100 x 5	3b.100 x 10		4b.100 x 10
NW40	3800		4b.100 x 10		4b.100 x 10		4b.100 x 10
NW40	4000		4b.100 x 10		4b.100 x 10		4b.100 x 10
NW50	4500		5b.100 x 10		5b.100 x 10		6b.100 x 10
NW50	5000		5b.100 x 10		6b.100 x 10		7b.100 x 10
NW63	5700		7b.100 x 10		7b.100 x 10		8b.100 x 10
NW63	6300		8b.100 x 10		8b.100 x 10		

**Example****Conditions:**

- drawout version
- vertical connections
- Ti: 40 °C
- service current: 1100 A.

**Solution :**

For Ti = 40 °C use an NT12 or NW12 which can be connected with two 63 x 5 mm bars or with one 63 x 10 mm bar.

*Note: the values indicated in these tables have been extrapolated from test data and theoretical calculations. These tables are only intended as a guide and cannot replace industrial experience or a temperature rise test.*



# Temperature derating

## Power dissipation and input / output resistance

### Temperature derating

The table below indicates the maximum current rating, for each connection type, as a function of  $T_i$  around the circuit breaker and the busbars.  
 Circuit breakers with mixed connections have the same derating as horizontally connected breakers.  
 For  $T_i$  greater than 60 °C, consult us.  
 $T_i$ : temperature around the circuit breaker and its connection.

B

Version	Drawout														
	Connection	Front or rear horizontal							Rear vertical						
		Temp. $T_i$	40	45	50	55	60	65	70	40	45	50	55	60	65
NT06 H1/H2/L1		630							630						
NT08 H1/H2/L1		800							800						
NT10 H1/H2/L1		1000							1000						
NT12 H1/H2		1250							1250						
NT16 H1/H2		1600	1560	1520	1480	1440	1400	1360	1600			1560	1520	1480	1440
NW08 N/H/L		800							800						
NW10 N/H/L		1000							1000						
NW12 N/H/L		1250							1250						
NW16 N/H/L		1600							1600						
NW20 H1/H2/H3		2000							2000						
NW20 L1		2000							2000						
NW25 H1/H2/H3		2500							2500						
NW32 H1/H2/H3		3200							3200						
NW40 H1/H2/H3		4000	3900	3800	3700	3600	3500	3400	4000			3900	3800	3700	3600
NW40b H1/H2		4000							4000						
NW50 H1/H2		5000							5000						
NW63 H1/H2		-							6300						

Version	Fixed													
	Connection	Front or rear horizontal							Rear vertical					
		Temp. $T_i$	40	45	50	55	60	65	70	40	45	50	55	60
NT06 H1/H2/L1		630							630					
NT08 H1/H2/L1		800							800					
NT10 H1/H2/L1		1000							1000					
NT12 H1/H2		1250							1250					
NT16 H1/H2		1600							1600					
NW08 N/H/L		800							800					
NW10 N/H/L		1000							1000					
NW12 N/H/L		1250							1250					
NW16 N/H/L		1600							1600					
NW20 H1/H2/H3		2000							2000					
NW20 L1		-							-					
NW25 H1/H2/H3		2500							2500					
NW32 H1/H2/H3		3200							3200					
NW40 H1/H2/H3		4000		3900	3800	3700	3600		4000			3900	3800	
NW40b H1/H2		4000							4000					
NW50 H1/H2		5000							5000					
NW63 H1/H2		-							6300					

### Power dissipation

Total power dissipation is the value measured at  $I_n$ , 50/60 Hz, for a 3 pole or 4 pole breaker, warm steady state temperature as per IEC 60947.

Version	Drawout	Fixed
	Power dissipation (Watts)	Power dissipation (Watts)
NT06 H1/H2/L1	55/115 (H1/L1)	30/45
NT08 H1/H2/L1	90/140 (H1/L1)	50/80
NT10 H1/H2/L1	150/230 (H1/L1)	80/110
NT12 H1/H2	250	130
NT16 H1/H2	460	220
NW08 N1	137	62
NW08 H/L	100	42
NW10 N1	220	100
NW10 H/L	150	70
NW12 N1	330	150
NW12 H/L	230	100
NW16 N1	480	220
NW16 H/L	390	170
NW20 H/L	470	250
NW25 H1/H2/H3	600	260
NW32 H1/H2/H3	670	420
NW40 H1/H2/H3	900	650
NW40b H1/H2	550	390
NW50 H1/H2	950	660
NW63 H1/H2	1200	1050

# Derating in switchboards

## Factors affecting switchboard design

### The temperature around the circuit breaker and its connections:

This is used to define the type of circuit breaker to be used and its connection arrangement.

### Vents at the top and bottom of the cubicles:

Vents considerably reduce the temperature inside the switchboard, but must be designed so as to respect the degree of protection provided by the enclosure. For weatherproof heavy-duty cubicles, a forced ventilation system may be required.

### The heat dissipated by the devices installed in the switchboard:

This is the heat dissipated by the circuit breakers under normal conditions (service current).

### The size of the enclosure:

This determines the volume for cooling calculations.

### Switchboard installation mode:

Free-standing, against a wall, etc.

### Horizontal partitions:

Partitions can obstruct air circulation within the enclosure.

## Basis of tables

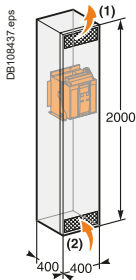
- switchboard dimensions
- number of circuit breakers installed
- type of breaker connections
- drawout versions
- ambient temperature outside of the switchboard:  $T_a$  (IEC 60439-1).



## Masterpact NT06-16 H1/H2/L1 (switchboard 2000 x 400 x 400) - area of outlet vents: 150 cm<sup>2</sup>

Type	NT06 H1/H2/L1		NT08 H1/H2/L1		NT10 H1/H2/L1		NT12 H1/H2		NT16 H1/H2	
Switchboard composition										
Connection type	≡		≡		≡		≡		≡	
Busbar dimensions (mm)	2b. 40 x 5		2b. 50 x 5		3b. 63 x 5		3b. 63 x 5 3b. 50 x 5		3b. 80 x 5 3b. 63 x 5	

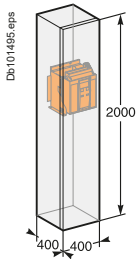
Ventilated switchboard (→ IP31)		4		H1/L1		H1/L1		3b. 50 x 5		3b. 63 x 5	
$T_a = 35^\circ\text{C}$	3	630	630	800	800	1000/1000	1000/1000	1250	1250	1400	1520
	2										
	1										
$T_a = 45^\circ\text{C}$	3	630	630	800	800	1000/950	1000/1000	1250	1250	1330	1440
	2										
	1										
$T_a = 55^\circ\text{C}$	3	630	630	800	800	1000/890	1000/960	1200	1250	1250	1340
	2										
	1										



(1) Area of outlet vents: 150 cm<sup>2</sup>.

(2) Area of inlet vents: 150 cm<sup>2</sup>.

Non ventilated switchboard (→ IP54)		4		4		4		4		4	
$T_a = 35^\circ\text{C}$	3	630	630	800	800	1000/960	1000/1000	1250	1250	1330	1400
	2										
	1										
$T_a = 45^\circ\text{C}$	3	630	630	800	800	1000/910	1000/980	1220	1250	1260	1330
	2										
	1										
$T_a = 55^\circ\text{C}$	3	630	630	800	800	1000/860	1000/930	1150	1230	1200	1260
	2										
	1										



**Note:** the values indicated in these tables have been extrapolated from test data and theoretical calculations. These tables are only intended as a guide and cannot replace industrial experience or a temperature rise test.

The values indicated for the cross-sectional area of the vents should be considered as general indications only given that the thermal performance of a switchboard with natural ventilation depends on many parameters, e.g. shape, porosity and location of vents and air flow within the switchboard.

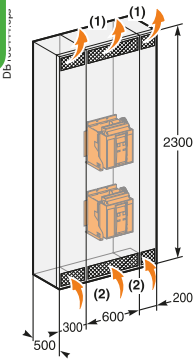
# Derating in switchboards

## Masterpact NT06-08 H1/H2/L1 (switchboard 2300 x 1100 x 500) - area of outlet vents: 300 cm<sup>2</sup>

Type	NT06 H1/H2/L1						NT08 H1/H2/L1				
Switchboard composition											
Connection type											
Busbar dimensions (mm)	2b. 40 x 5						2b. 50 x 5				

B

### Ventilated switchboard (→ IP31)

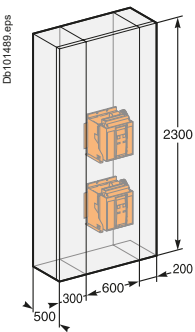


$T_a = 35\text{ °C}$	5	630				630	800					
	4	630				630	630	800				
	3	630				630	630	630	800			
	2	630	630	630	630	630	630	800	800	800	800	
	1	630										
$T_a = 45\text{ °C}$	5	630				630	800					
	4	630				630	630	800				
	3	630				630	630	630	800			
	2	630	630	630	630	630	630	800	800	800	800	
	1	630										
$T_a = 55\text{ °C}$	5	630				630	800					
	4	630				630	630	800				
	3	630				630	630	630	800			
	2	630	630	630	630	630	630	800	800	800	800	
	1	630										

(1) Area of outlet vents: 300 cm<sup>2</sup>.

(2) Area of inlet vents: 300 cm<sup>2</sup>.

### Non ventilated switchboard (→ IP54)

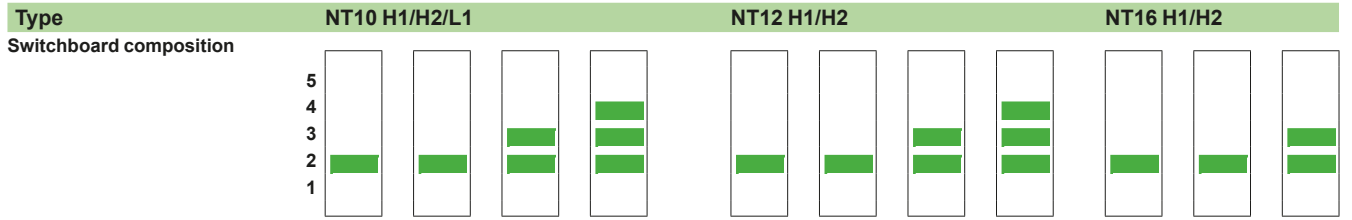


$T_a = 35\text{ °C}$	5	630				630	800					
	4	630				630	800					
	3	630				630	630	800				
	2	630	630	630	630	630	630	800	800	800	800	
	1	630										
$T_a = 45\text{ °C}$	5	630				630	800					
	4	630				630	630	800				
	3	630				630	630	630	800			
	2	630	630	630	630	630	630	800	800	800	800	
	1	630										
$T_a = 55\text{ °C}$	5	630				630	800					
	4	630				630	630	800				
	3	630				630	630	630	800			
	2	630	630	630	630	630	630	800	800	800	800	
	1	630										

**Note:** the values indicated in these tables have been extrapolated from test data and theoretical calculations. These tables are only intended as a guide and cannot replace industrial experience or a temperature rise test.

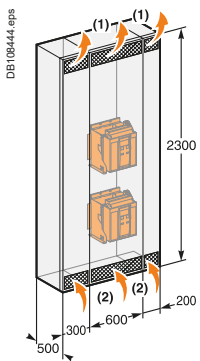
The values indicated for the cross-sectional area of the vents should be considered as general indications only given that the thermal performance of a switchboard with natural ventilation depends on many parameters, e.g. shape, porosity and location of vents and air flow within the switchboard.

**Masterpact NT10-16 H1/H2/L1 (switchboard 2300 x 1100 x 500) - area of outlet vents: 300 cm<sup>2</sup>**



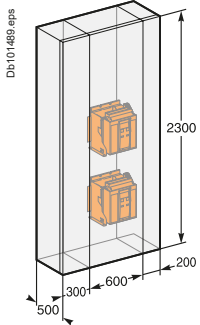
Busbar dimensions (mm)	3b. 63 x 5				3b. 63 x 5				3b. 80 x 5			
	2b. 63 x 5				3b. 50 x 5				3b. 63 x 5			

Ventilated switchboard (→ IP31)	5 H1/L1	H1/L1	H1/L1	H1/L1								
$T_a = 35\text{ °C}$	4					1000/1000				1250		
	3					1000/1000				1250		1500
	2	1000/1000	1000/1000	1000/1000	1000/1000	1250	1250	1250	1250	1460	1600	1550
	1											
	5											
$T_a = 45\text{ °C}$	4					1000/1000				1250		
	3					1000/1000				1250		1420
	2	1000/960	1000/1000	1000/1000	1000/1000	1250	1250	1250	1250	1400	1500	1480
	1											
	5											
$T_a = 55\text{ °C}$	4					1000/920				1250		
	3					1000/950				1250		1330
	2	1000/900	1000/1000	1000/970	1000/950	1250	1250	1250	1250	1300	1400	1370
	1											
	5											



(1) Area of outlet vents: 300 cm<sup>2</sup>.  
 (2) Area of inlet vents: 300 cm<sup>2</sup>.

Non ventilated switchboard (→ IP54)	5											
$T_a = 35\text{ °C}$	4					1000/950				1250		
	3					1000/1000				1250		1370
	2	1000/1000	1000/1000	1000/1000	1000/970	1250	1250	1250	1250	1400	1500	1400
$T_a = 45\text{ °C}$	4					1000/900				1180		
	3					1000/950				1250		1300
	2	1000/950	1000/1000	1000/960	1000/930	1250	1250	1250	1220	1350	1430	1320
$T_a = 55\text{ °C}$	4					1000/850				1120		
	3					1000/900				1200		1210
	2	1000/880	1000/970	1000/910	1000/870	1210	1250	1210	1150	1250	1350	1250



**Note:** the values indicated in these tables have been extrapolated from test data and theoretical calculations. These tables are only intended as a guide and cannot replace industrial experience or a temperature rise test.  
 The values indicated for the cross-sectional area of the vents should be considered as general indications only given that the thermal performance of a switchboard with natural ventilation depends on many parameters, e.g. shape, porosity and location of vents and air flow within the switchboard.

# Derating in switchboards

## Masterpact NW08-10 N/H/L (switchboard 2300 x 800 x 900) - area of outlet vents: 350 cm<sup>2</sup>

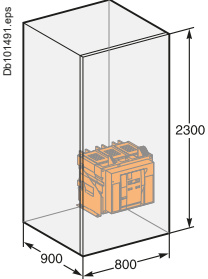
Type	NW08 N/H/L					NW10 N/H/L			
Switchboard composition									
Connection type									
Busbar dimensions (mm)	2b. 50 x 5					3b. 63 x 5			

B

Ventilated switchboard (→ IP31)											
$T_a = 35\text{ °C}$	4						800				
	3						800 800				
	2						800 800 800				
	1	800	800	800	800	800	1000 1000 1000 1000				
$T_a = 45\text{ °C}$	4						800				
	3						800 800				
	2						800 800 800				
	1	800	800	800	800	800	1000 1000 1000 1000				
$T_a = 55\text{ °C}$	4						800				
	3						800 800				
	2						800 800 800				
	1	800	800	800	800	800	1000 1000 1000 1000				

(1) Area of outlet vents: 350 cm<sup>2</sup>.  
 (2) Area of inlet vents: 350 cm<sup>2</sup>.

Non ventilated switchboard (→ IP54)											
$T_a = 35\text{ °C}$	4						800				
	3						800 800				
	2						800 800 800				
	1	800	800	800	800	800	1000 1000 1000 1000				
$T_a = 45\text{ °C}$	4						800				
	3						800 800				
	2						800 800 800				
	1	800	800	800	800	800	1000 1000 1000 1000				
$T_a = 55\text{ °C}$	4						800				
	3						800 800				
	2						800 800 800				
	1	800	800	800	800	800	1000 1000 1000 1000				

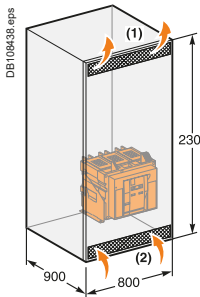


**Note:** the values indicated in these tables have been extrapolated from test data and theoretical calculations. These tables are only intended as a guide and cannot replace industrial experience or a temperature rise test.  
 The values indicated for the cross-sectional area of the vents should be considered as general indications only given that the thermal performance of a switchboard with natural ventilation depends on many parameters, e.g. shape, porosity and location of vents and air flow within the switchboard.

**Masterpact NW12-16 N/H/L (switchboard 2300 x 800 x 900) - area of outlet vents: 350 cm<sup>2</sup>**

Type	NW12 N1	NW12 H/L	NW16 N1	NW16 H/L
Switchboard composition				
Connection type				
Busbar dimensions (mm)	3b. 63 x 5 3b. 50 x 5	3b. 63 x 5 3b. 50 x 5	3b. 80 x 5 3b. 63 x 5	3b. 80 x 5 3b. 63 x 5

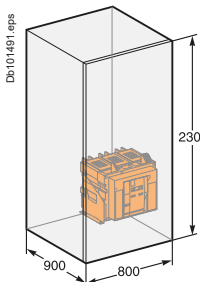
**Ventilated switchboard (→ IP31)**



Temperature (T <sub>a</sub> )	4	3	2	1	4	3	2	1	4	3	2	1
T <sub>a</sub> = 35 °C		1250	1250	1250	1250	1250	1250	1250	1250	1250	1250	1250
T <sub>a</sub> = 45 °C		1250	1250	1250	1250	1250	1250	1250	1250	1250	1250	1250
T <sub>a</sub> = 55 °C		1250	1250	1250	1250	1250	1250	1250	1250	1250	1250	1250

- (1) Area of outlet vents: 350 cm<sup>2</sup>.
- (2) Area of inlet vents: 350 cm<sup>2</sup>.

**Non ventilated switchboard (→ IP54)**



Temperature (T <sub>a</sub> )	4	3	2	1	4	3	2	1	4	3	2	1
T <sub>a</sub> = 35 °C		1240	1250	1250	1250	1250	1250	1250	1250	1250	1250	1250
T <sub>a</sub> = 45 °C		1170	1210	1210	1250	1250	1250	1250	1250	1250	1250	1250
T <sub>a</sub> = 55 °C		1100	1140	1170	1250	1250	1250	1250	1250	1250	1250	1250

**Note:** the values indicated in these tables have been extrapolated from test data and theoretical calculations. These tables are only intended as a guide and cannot replace industrial experience or a temperature rise test.  
The values indicated for the cross-sectional area of the vents should be considered as general indications only given that the thermal performance of a switchboard with natural ventilation depends on many parameters, e.g. shape, porosity and location of vents and air flow within the switchboard.



# Derating in switchboards

## Masterpact NW20-40 N/H/L (switchboard 2300 x 800 x 900) - area of outlet vents: 350 cm<sup>2</sup>

Type	NW20 H1/H2/H3	NW20 L1	NW25 H1/2/3	NW32 H1/2/3	NW40 H1/2/3
Switchboard composition					
Connection type					
Busbar dimensions (mm)	3b. 100 x 5	3b. 100 x 5	4b. 100 x 5	3b. 100 x 10	4b. 100 x 10

Ventilated switchboard (→ IP31)		4		3		2		1									
	$T_a = 35\text{ °C}$	2000		1830		2375		2500		3040		3200		3320		3700	
		2000		2000		2000		2000		2000		2000		2000		2000	
		2000		2000		2000		2000		2000		2000		2000		2000	
$T_a = 45\text{ °C}$	2000		1750		2250		2380		2880		3100		3160		3500		
	2000		1810		1960		1920		2100		2250		2690		2900		
	2000		1700		1850		1800		2100		2250		2690		2900		
$T_a = 55\text{ °C}$	2000		1640		2100		2250		2690		2900		2960		3280		
	2000		1700		1850		1800		2100		2250		2690		2900		
	2000		1700		1850		1800		2100		2250		2690		2900		

(1) Area of outlet vents: 350 cm<sup>2</sup>.  
 (2) Area of inlet vents: 350 cm<sup>2</sup>.

Non ventilated switchboard (→ IP54)		4		3		2		1										
	$T_a = 35\text{ °C}$	2000		1750		2125		2275		2650		2850		3040		3320		
		2000		1900		2000		2150		2550		2700		2880		3120		
		2000		1900		1680		1810		2000		2150		2550		2700		
$T_a = 45\text{ °C}$	1900		1660		1900		2000		2150		2550		2700		2880		3120	
	1900		1780		1550		1900		2020		2370		2530		2720		2960	
	1900		1780		1550		1900		2020		2370		2530		2720		2960	
$T_a = 55\text{ °C}$	1800		1550		1900		2020		2370		2530		2720		2960			
	1800		1550		1900		2020		2370		2530		2720		2960			
	1800		1550		1900		2020		2370		2530		2720		2960			

**Note:** the values indicated in these tables have been extrapolated from test data and theoretical calculations. These tables are only intended as a guide and cannot replace industrial experience or a temperature rise test.

The values indicated for the cross-sectional area of the vents should be considered as general indications only given that the thermal performance of a switchboard with natural ventilation depends on many parameters, e.g. shape, porosity and location of vents and air flow within the switchboard.

**Masterpact NW40b-63 H1/H2 (switchboard 2300 x 1400 x 1500) - area of outlet vents: 500 cm<sup>2</sup>**

Type	NW40b H1/H2	NW50 H1/H2	NW63 H1/H2				
<b>Switchboard composition</b>							
<b>Connection type</b>							
<b>Busbar dimensions (mm)</b>	5b. 100 x 10	7b. 100 x 10	8b. 100 x 10				
<b>Ventilated switchboard (→ IP31)</b>							
	4	3	2	1			
$T_a = 35\text{ °C}$	2	4000	4000	4700	5000	5850	
	3						
	4						
$T_a = 45\text{ °C}$	2	4000	4000	4450	4850	5670	
	3						
	4						
$T_a = 55\text{ °C}$	2	4000	4000	4200	4600	5350	
	3						
	4						
	1						
<b>Non ventilated switchboard (→ IP54)</b>							
	4	3	2	1			
$T_a = 35\text{ °C}$	2	4000	4000	4350	4650	5290	
	3						
	4						
$T_a = 45\text{ °C}$	2	4000	4000	4100	4400	5040	
	3						
	4						
$T_a = 55\text{ °C}$	2	3840	3840	3850	4150	4730	
	3						
	4						
	1						

(1) Area of outlet vents: 500 cm<sup>2</sup>.  
 (2) Area of inlet vents: 500 cm<sup>2</sup>.

**Note:** the values indicated in these tables have been extrapolated from test data and theoretical calculations. These tables are only intended as a guide and cannot replace industrial experience or a temperature rise test.  
 The values indicated for the cross-sectional area of the vents should be considered as general indications only given that the thermal performance of a switchboard with natural ventilation depends on many parameters, e.g. shape, porosity and location of vents and air flow within the switchboard.





# Substitution kit

## Fixed / drawout devices 800 to 3200 A

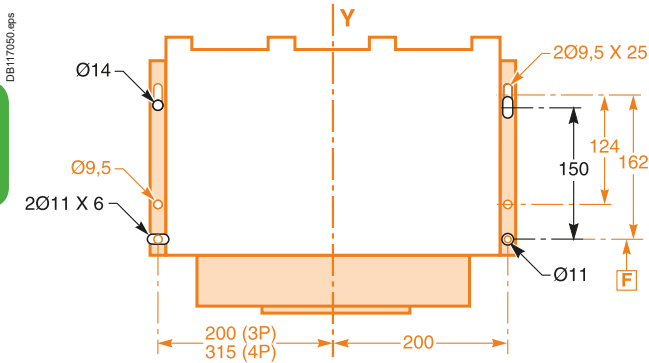
It is possible to replace a **Masterpact (M08 to M32)** with a new **Masterpact (NW08 to NW32)** with the same power rating.

Substitution is possible for the following types of circuit breakers:

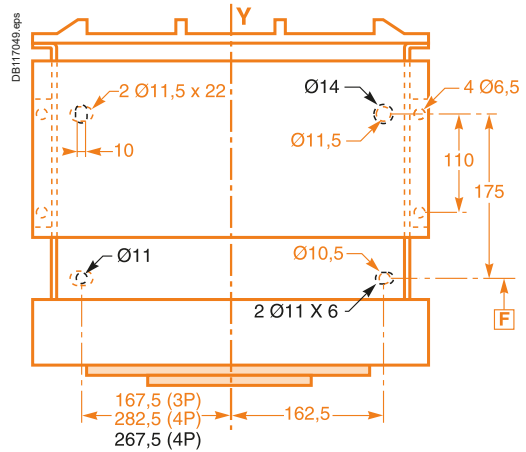
- N1, H1, H2 for both fixed and drawout versions
- L1 for drawout versions up to 2000 A.

### Mounting diagram

#### Fixed version



#### Drawout version



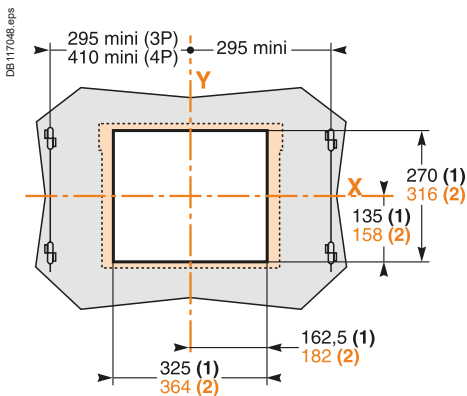
— : Masterpact NW  
 — : Masterpact M

Fixing points are identical for Masterpact (M08 to M32) and Masterpact (NW08 to NW32), except for the four-pole chassis.

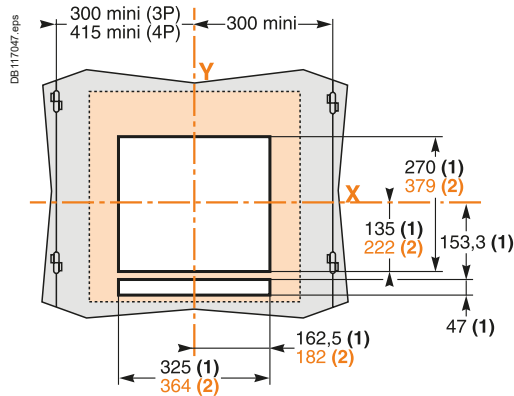
### Door cut-out

- Without an escutcheon, the cut-out is identical (270 x 325 mm).
- With the former escutcheon, the cut-out is identical (270 x 325 mm).
- With the new escutcheon, the cut-out is different.

#### Fixed version



#### Drawout version



### Power connection

Select a set of retrofit connectors to replace the standard connectors and avoid any modifications to the busbars (see the retrofit section in "orders and quotations").

**Note:**

- (1) Without escutcheon.
- (2) With escutcheon.

References X and Y represent the symmetry planes for three-pole devices.

# Control wiring

## Wiring of voltage releases

During pick-up, the power consumed is approximately 150 to 200 VA. For low control voltages (12, 24, 48 V), maximum cable lengths are imposed by the voltage and the cross-sectional area of cables.

### Recommended maximum cable lengths (meter).

		12 V		24 V		48 V	
		2.5 mm <sup>2</sup>	1.5 mm <sup>2</sup>	2.5 mm <sup>2</sup>	1.5 mm <sup>2</sup>	2.5 mm <sup>2</sup>	1.5 mm <sup>2</sup>
MN	U source 100 %	–	–	58	35	280	165
	U source 85 %	–	–	16	10	75	45
MX-XF	U source 100 %	21	12	115	70	550	330
	U source 85 %	10	6	75	44	350	210

*Note: the indicated length is that of each of the two wires.*

## 24 V DC power-supply module

### External 24 V DC power-supply module for Micrologic (F1-, F2+)

- It is recommended to use the AD power supply due to its low stray primary-secondary capacitance. Good operation of the Micrologic Trip Unit in noisy environment is not guaranteed with other power supplies.
- The dedicated AD power supplies shall be used only for the Micrologic trip units. If the COM option is used, a second dedicated power supply shall be used.
- M2C and M6C modules can be supplied by Micrologic external AD power supply.
- The consumption of a Micrologic Trip Unit is approximately 100mA.
- The consumption of M2C and M6C modules is approximately 100mA.
- A number of 5 devices (Micrologic control units with M2C or M6C) can be connected to the same AD power supply. Add other AD power supply for more than 5 devices.
- For Micrologics control units alone, a number of 10 devices can be connected to the same AD power supply. Add other AD power supply for more than 10 Micrologics.
- If the installation is shared between several panels, one AD power supply shall be added for each panel.
- AD power supply dedicated to Micrologics trip units shall not be connected to earth. (F1-, F2+).

### External 24 V DC power supply for Communication bus

- A dedicated 24 V DC power supply shall be used for the communication devices.
- Do not connect the positive terminal (E1) to earth.
- The negative terminal (E2) can be connected to earth.
- A number of communication modules (BCM, IFE, IFM, I/O, FDM...) can be connected to the same 24 V DC power supply. Refer below the devices consumption table to avoid exceeding the maximum current delivered by the 24 V DC power supply.

### ULP module consumption

The table below lists the ULP module consumption.

Module	Typical Consumption (24 V DC at 20 °C / 68 °F)	Maximum Consumption (19.2 V DC at 60 °C / 140 °F)
BCM ULP for Masterpact and Compact NS	40 mA	65 mA
Micrologic 5 or 6 trip unit for Compact NSX circuit breakers	30 mA	55 mA
BSCM for Compact NSX circuit breakers	9 mA	15 mA
2-wire RS 485 isolated repeater	15 mA	19 mA
FDM121 display for LV circuit breaker	21 mA	30 mA
IFM Modbus-SL interface for LV circuit breaker	21 mA	30 mA
IFE Ethernet interface for LV circuit breaker	120 mA	3 A (with gateway)
I/O input/output interface module for LV circuit breaker	165 mA	420 mA
Maintenance module	0 mA (the maintenance module has its own power supply)	0 mA (the maintenance module has its own power supply)

### Installation recommendation

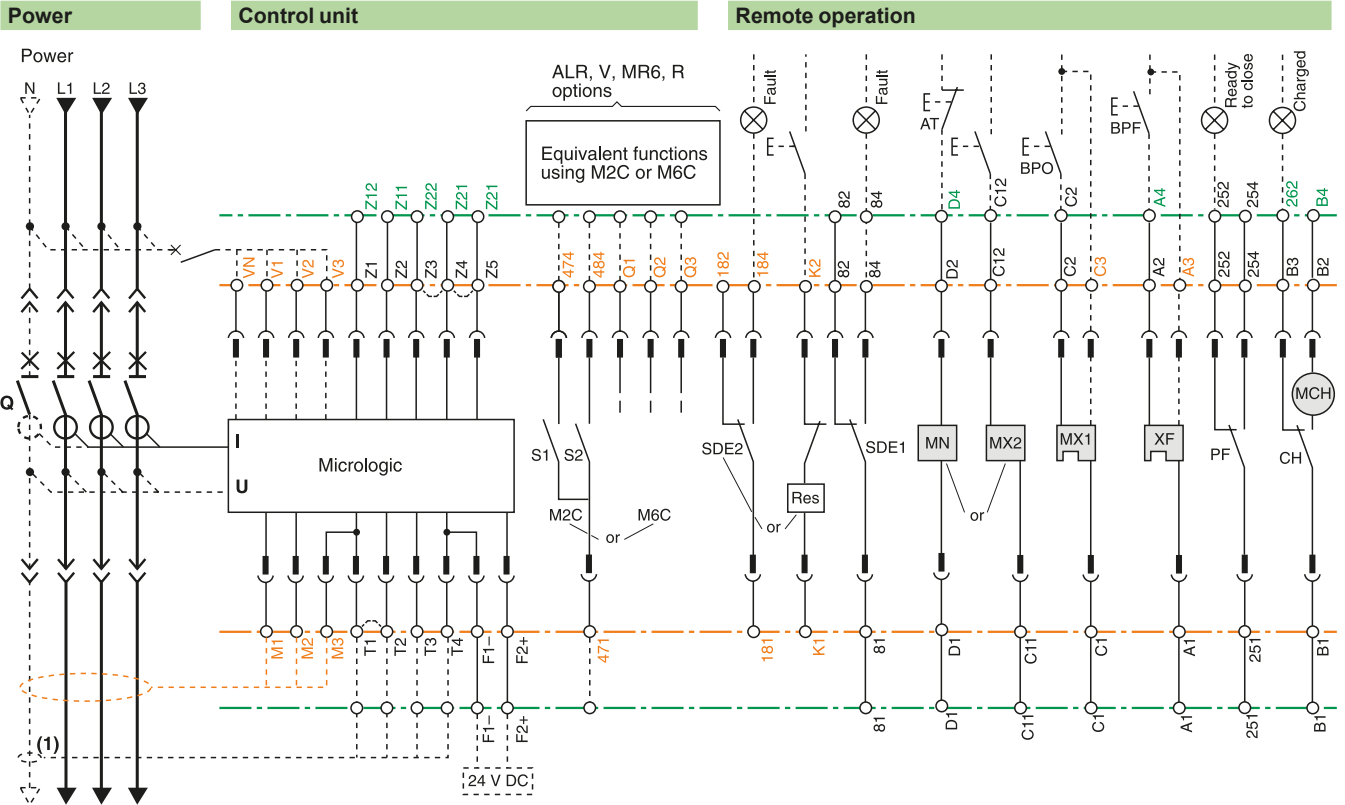
- The 24 V DC wires (output of the 24 V DC power supply) shall be twist together.
- The 24 V DC wires (output of the 24 V DC power supply) must cross all power cables perpendicularly.
- The technical characteristics of the external 24 V DC power-supply module for Micrologic control units are indicated on [page A-28](#).

*Note: wiring of ZSI: it is recommended to use twisted shielded cable. The shield must be connected to earth at both ends.*

B

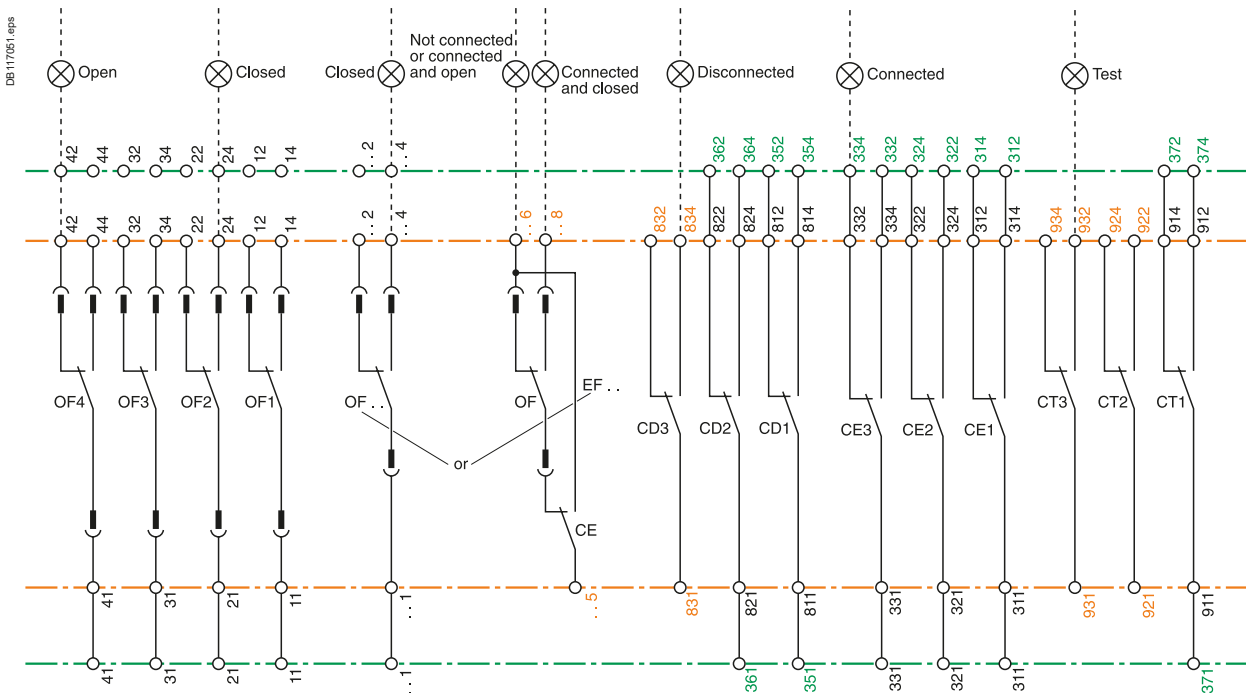
### Masterpact M Retrofitting: electrical diagrams

Correspondences between Masterpact NW and Masterpact M terminal blocks.



### Indication contacts

### Chassis contacts



Identical to Masterpact M.

Different than Masterpact M.

New or additional functions.

(1) The current transformer for the external neutral must be replaced.

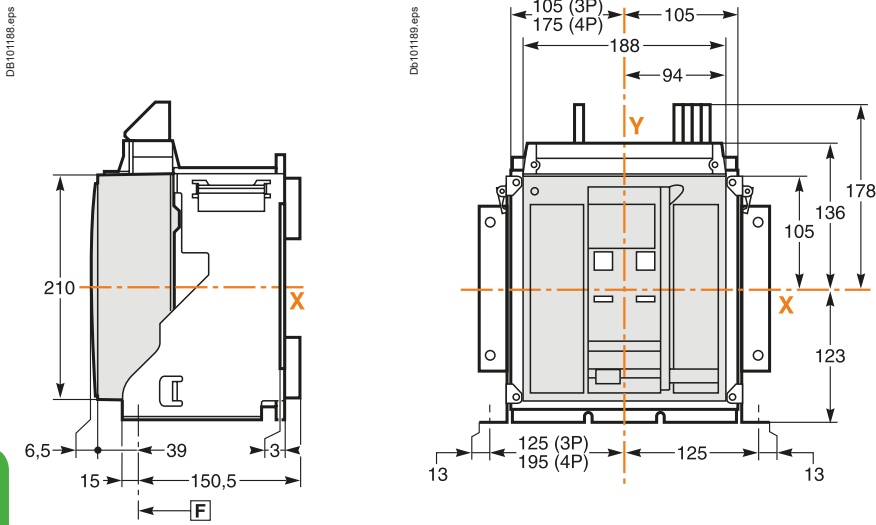
# Dimensions and connections

<i>Presentation</i>	2
<i>Functions and characteristics</i>	A-1
<i>Installation recommendations</i>	B-1
<b>NT06 to NT16 circuit breakers</b>	
Fixed 3/4-poles device	C-2
Drawout 3/4-poles device	C-6
<b>NW08 to NW32 circuit breakers</b>	
Fixed 3/4-poles device	C-10
Drawout 3/4-poles device	C-12
<b>NW40 circuit breakers</b>	
Fixed 3/4-poles device	C-14
Drawout 3/4-poles device	C-16
<b>NW40b to NW63 circuit breakers</b>	
Fixed 3/4-poles device	C-18
Drawout 3/4-poles device	C-20
<b>NT/NW accessories</b>	<b>C-22</b>
<b>NT/NW external modules</b>	<b>C-24</b>
<b>FDM121 switchboard display</b>	<b>C-29</b>
<b>FDM128 switchboard display</b>	<b>C-30</b>
<i>Electrical diagrams</i>	D-1
<i>Additional characteristics</i>	E-1
<i>Catalogue numbers and order form</i>	F-1

# NT06 to NT16 circuit breakers

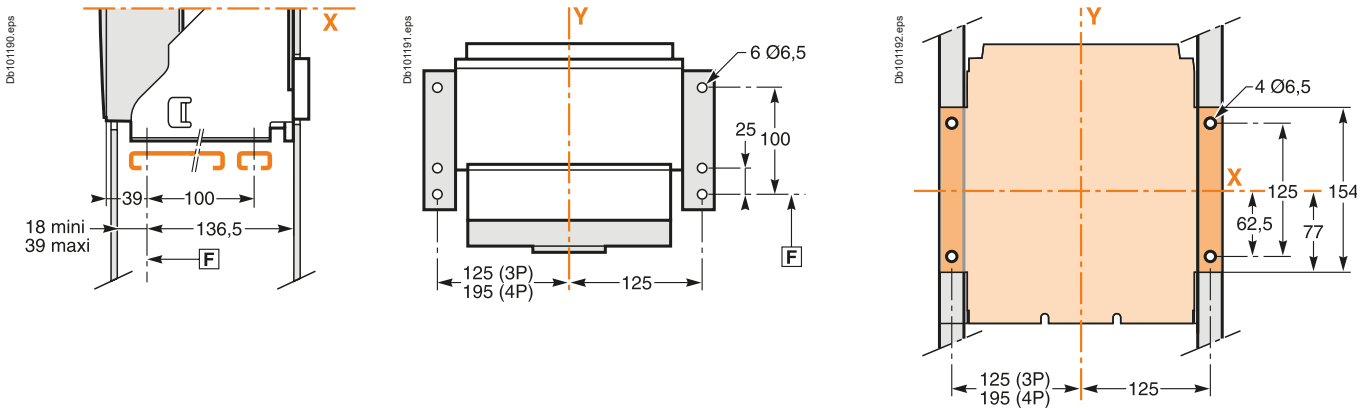
## Fixed 3/4-poles device

### Dimensions



### Bottom mounting (on base plate or rails)

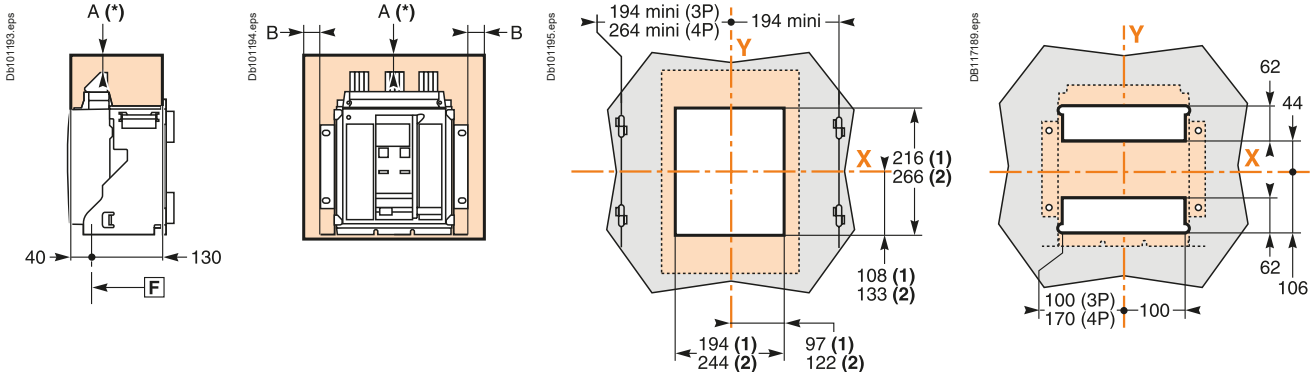
### Rear mounting detail (on upright or backplate)



### Safety clearances

### Door cutout

### Rear panel cutout



For voltages < 690 V

	Parts		
	Insulated	Metal	Energised
A	0	0	100
B	0	0	60

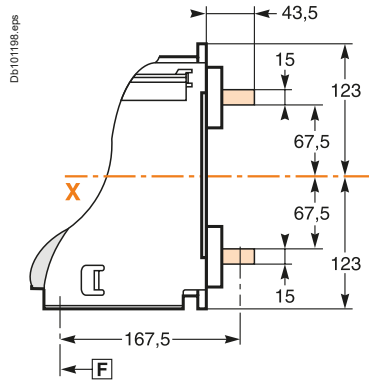
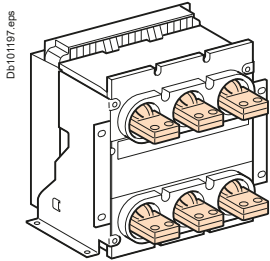
**F**: datum.

(1) Without escutcheon.  
(2) With escutcheon.

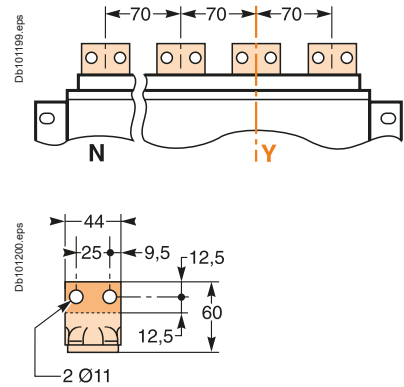
**Note:** X and Y are the symmetry planes for a 3-pole device.  
A(\*) An overhead clearance of 50 mm is required to remove the arc chutes.  
An overhead clearance of 20 mm is required to remove the terminal block.

## Connections

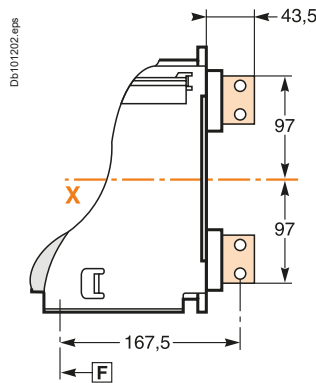
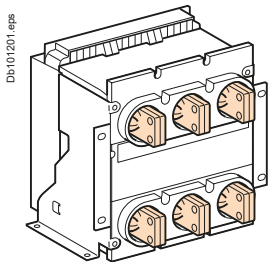
### Horizontal rear connection



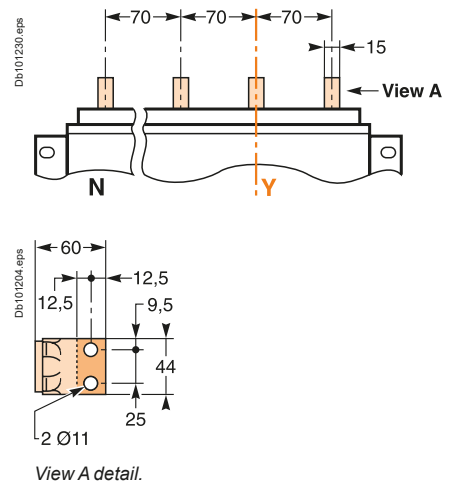
### Detail



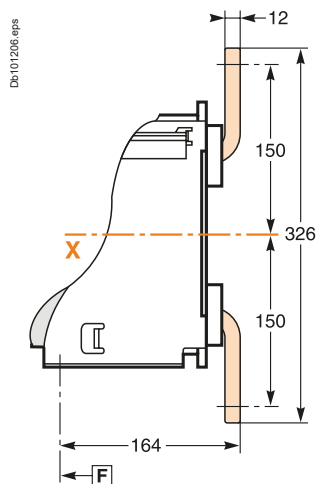
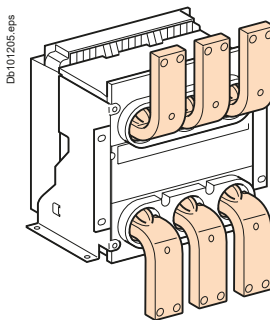
### Vertical rear connection



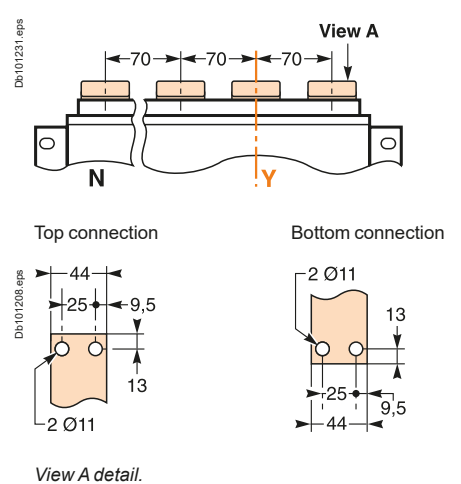
### Detail



### Front connection



### Detail



**Note:** recommended connection screws: **M10** class 8.8.  
Tightening torque: **50 Nm** with contact washer.

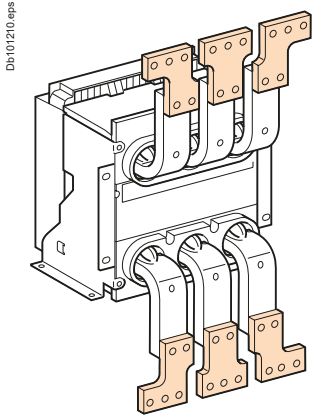


# NT06 to NT16 circuit breakers

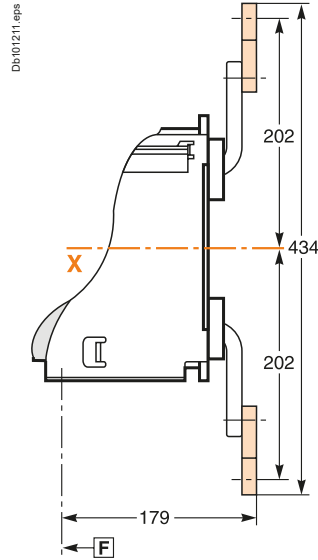
## Fixed 3/4-poles device

### Connections

#### Front connection with spreaders

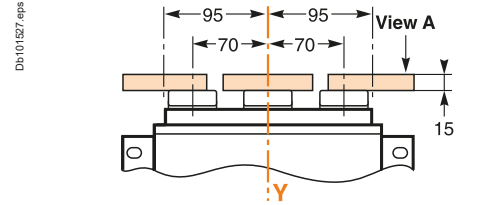


Db101210.eps

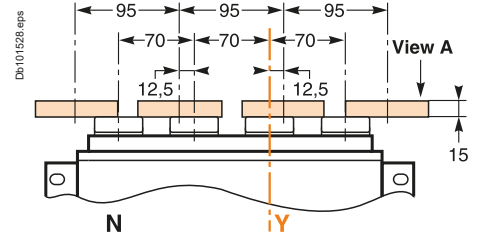


Db101211.eps

#### Detail

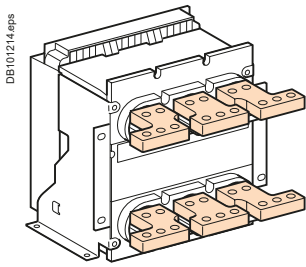


Db101527.eps

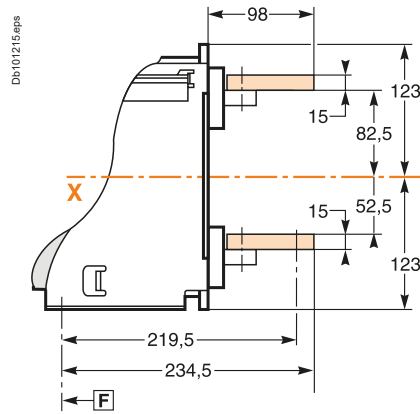


Db101528.eps

#### Rear connection with spreaders

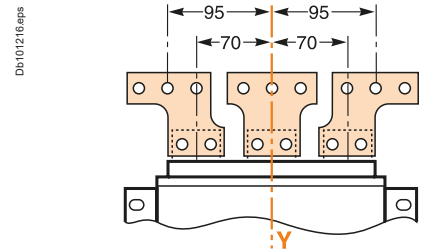


Db101214.eps

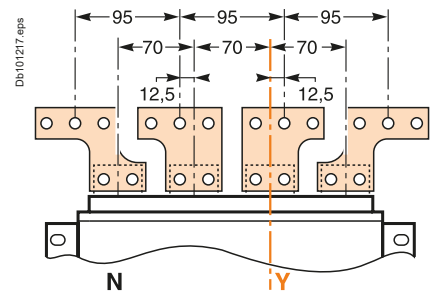


Db101215.eps

#### Detail



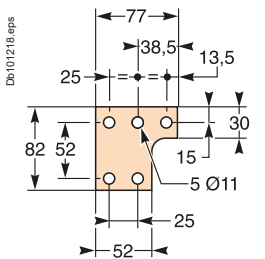
Db101216.eps



Db101217.eps

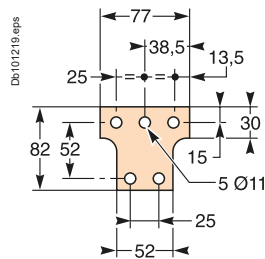
#### Spreader detail

Middle left or middle right spreader for 4P.



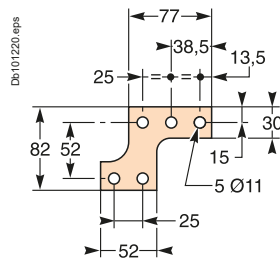
Db101218.eps

Middle spreader for 3P.



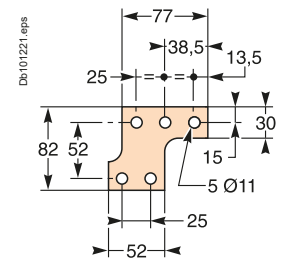
Db101219.eps

Left or right spreader for 4P.



Db101220.eps

Left or right spreader for 3P.



Db101221.eps

View A detail.

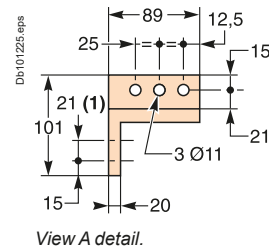
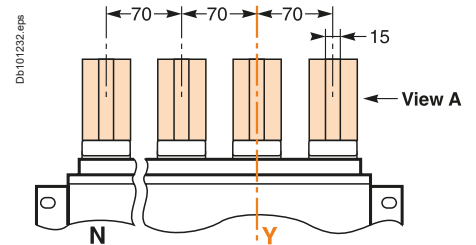
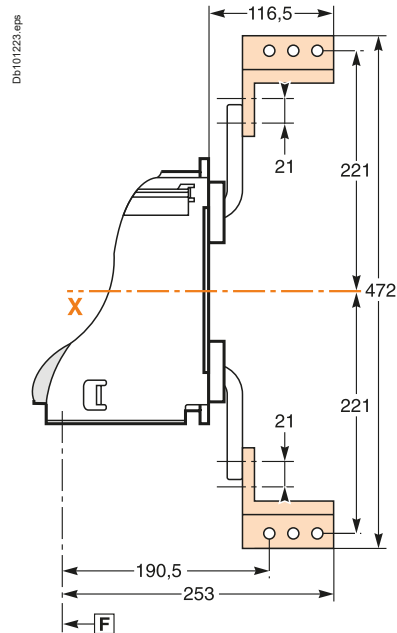
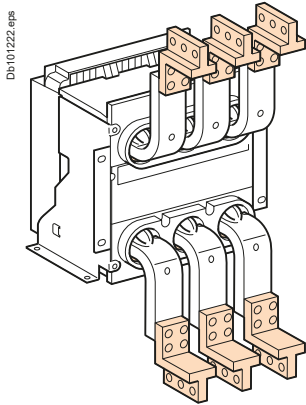
**F** : datum.

Note: X and Y are the symmetry planes for a 3-pole device.

## Connections

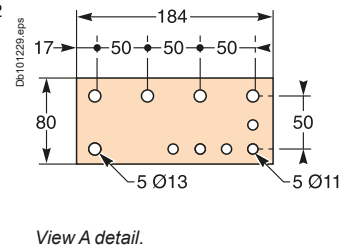
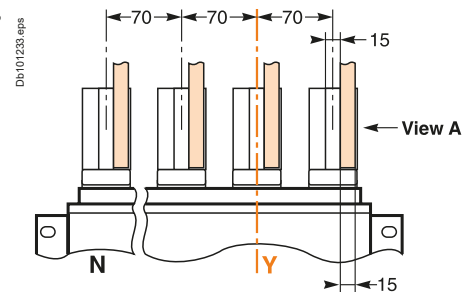
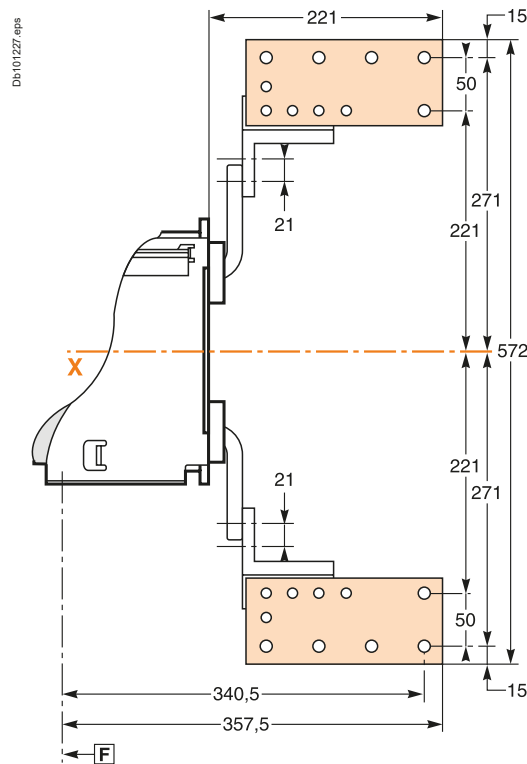
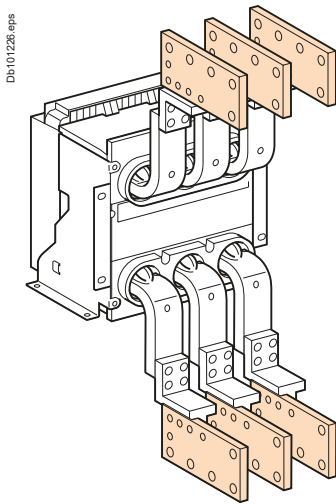
### Front connection via vertical connection adapters

### Detail



### Front connection via vertical connection adapters fitted with cable-lug adapters

### Detail



**Note:** recommended connection screws: **M10** class 8.8. Tightening torque: **50 Nm** with contact washer.

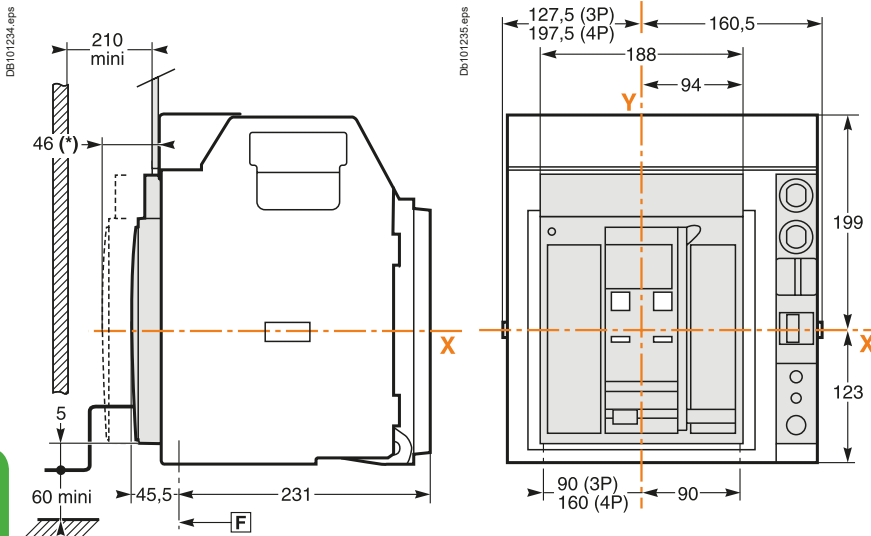
(1) 2 connection possibilities on vertical connection adapters (21 mm between centres).



# NT06 to NT16 circuit breakers

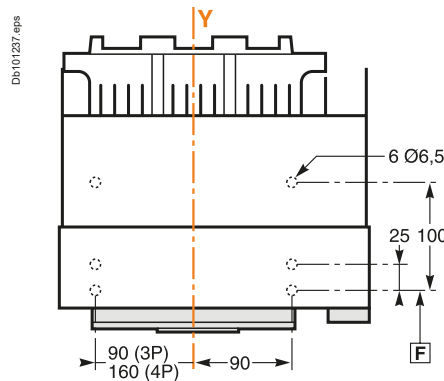
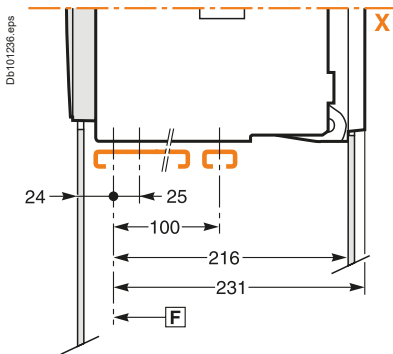
## Drawout 3/4-poles device

### Dimensions

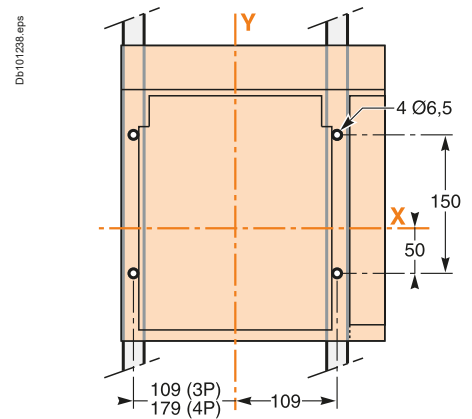


(\*) Disconnected position.

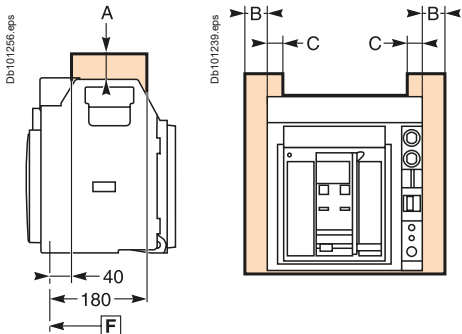
#### Bottom mounting (on base plate or rails)



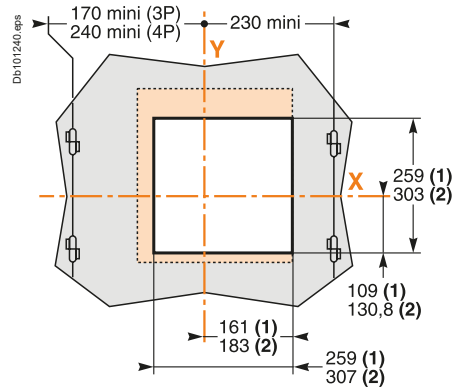
#### Rear mounting detail (on upright or backplate)



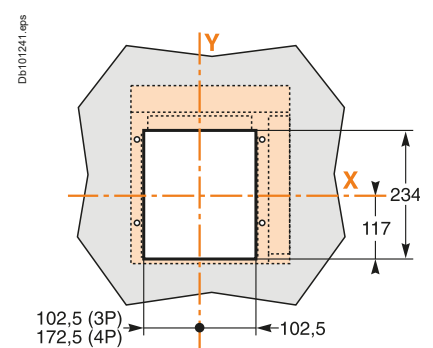
#### Safety clearances



#### Door cutout



#### Rear panel cutout



For voltages ≤ 690 V

	Parts		
	Insulated	Metal	Energised
A	0	0	30
B	10	10	60
C	0	0	30

**F** : datum.

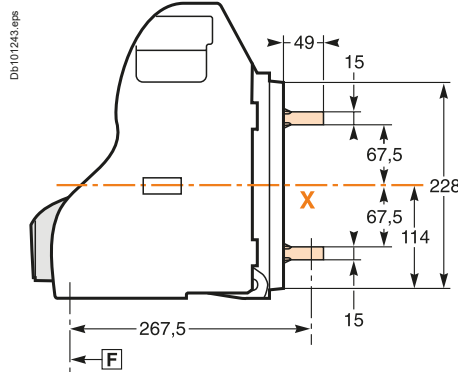
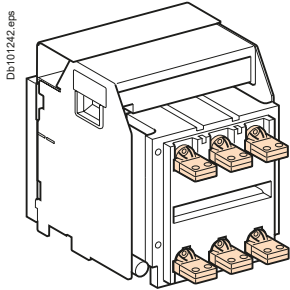
(1) Without escutcheon.

(2) With escutcheon.

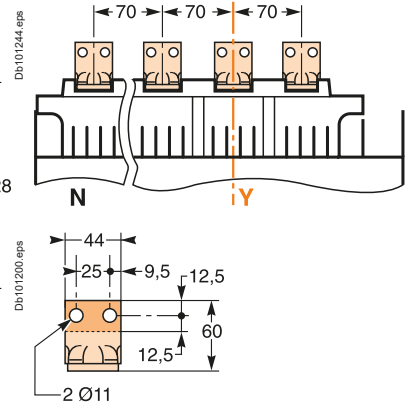
Note: X and Y are the symmetry planes for a 3-pole device.

## Connections

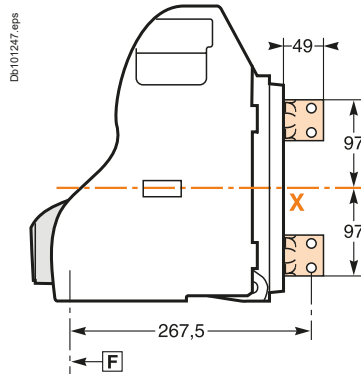
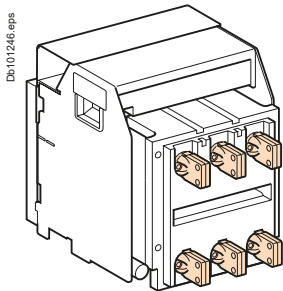
### Horizontal rear connection



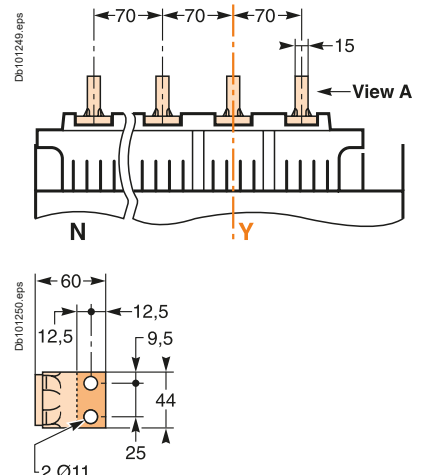
### Detail



### Vertical rear connection

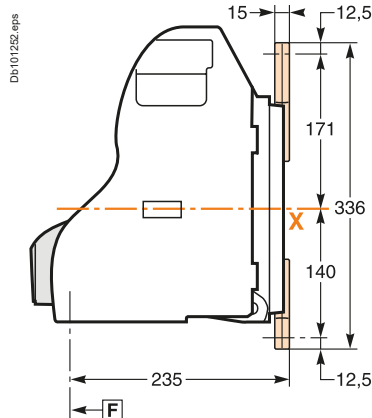
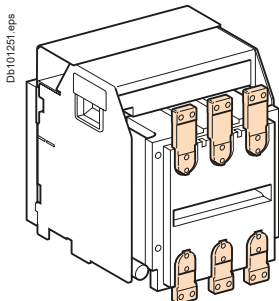


### Detail

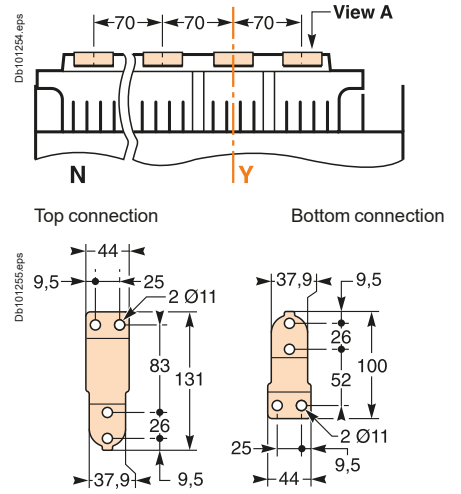


View A detail.

### Front connection



### Detail



View A detail.

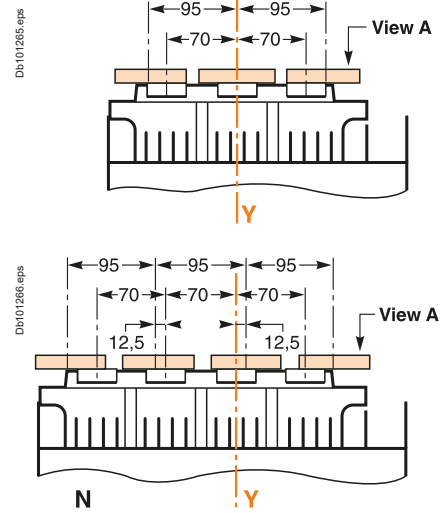
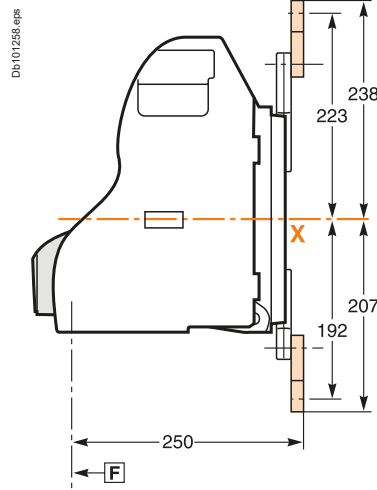
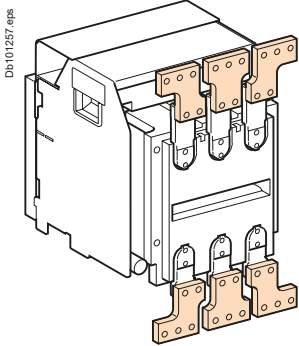
**Note:** recommended connection screws: **M10** class 8.8.  
Tightening torque: **50 Nm** with contact washer.

# NT06 to NT16 circuit breakers

## Drawout 3/4-poles device

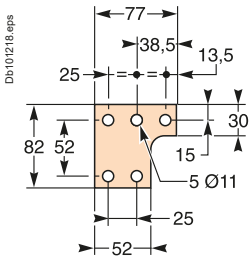
### Connections

#### Front connection with spreaders

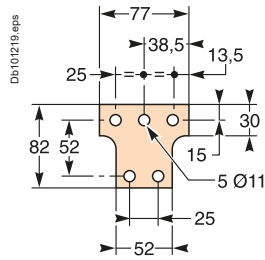


#### Spreader detail

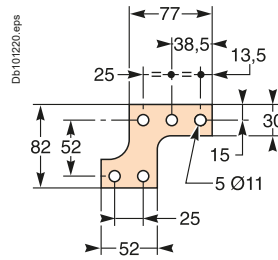
Middle left or middle right spreader for 4P.



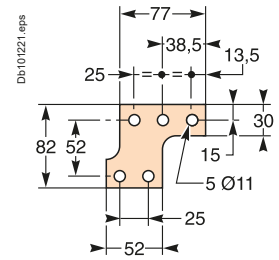
Middle spreader for 3P.



Left or right spreader for 4P.



Left or right spreader for 3P.



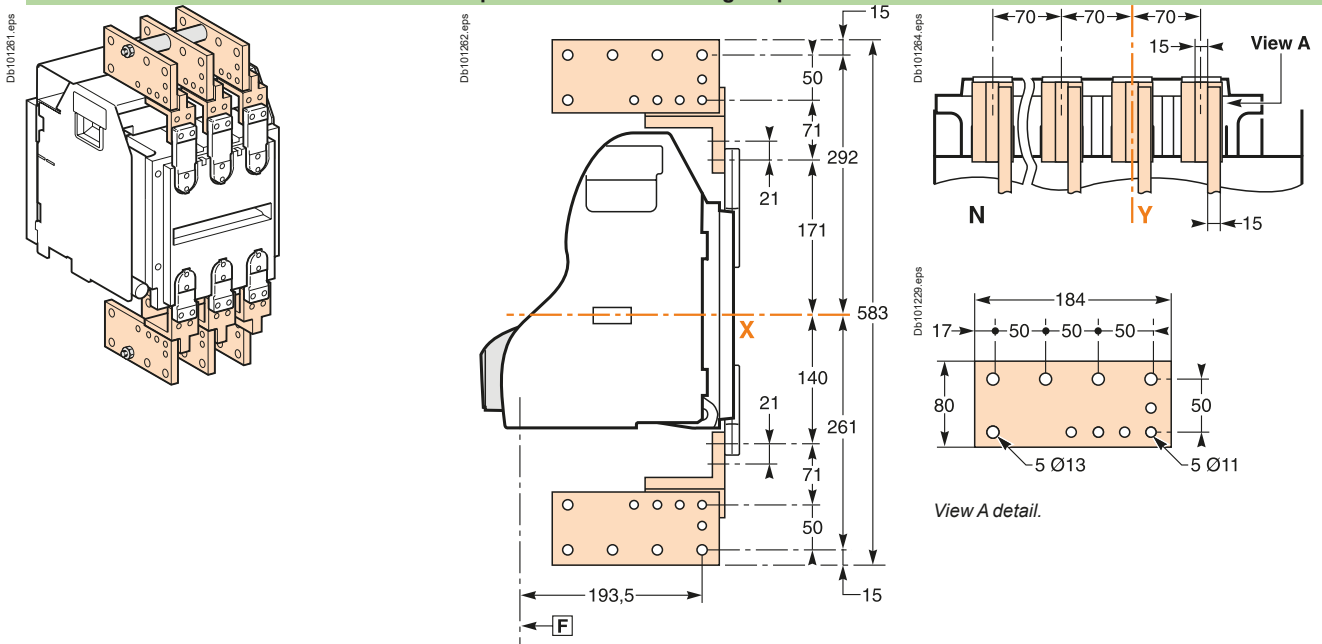
View A detail.

**F** : datum.

Note: X and Y are the symmetry planes for a 3-pole device.

## Connections

### Front connection via vertical connection adapters fitted with cable-lug adapters

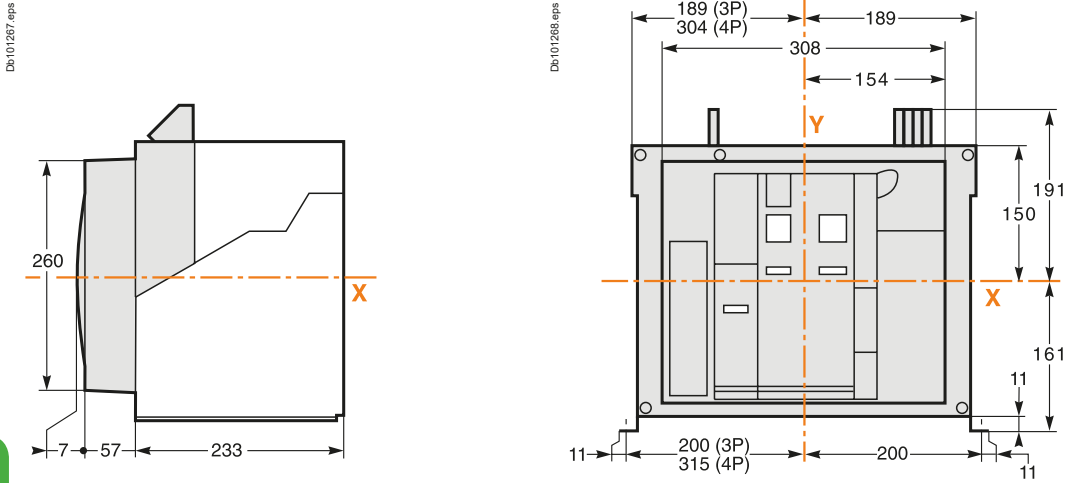


**Note:** recommended connection screws: **M10** class 8.8.  
Tightening torque: **50 Nm** with contact washer.

# NW08 to NW32 circuit breakers

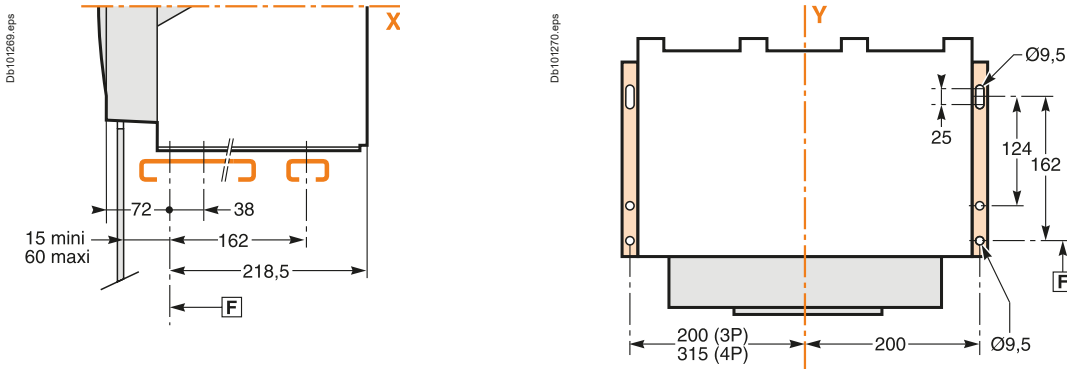
## Fixed 3/4-poles device

### Dimensions



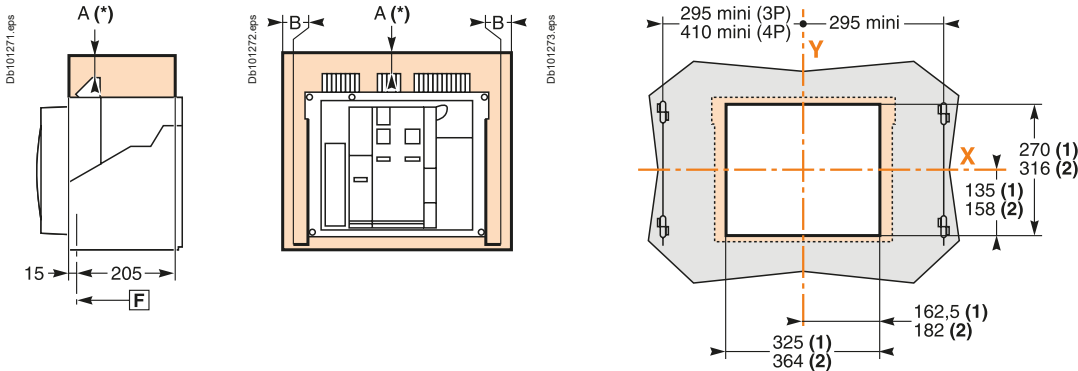
### Mounting on base plate or rails

### Mounting detail



### Safety clearances

### Door cutout



	Insulated parts	Metal parts	Energised parts
A	0	0	100
B	0	0	60

(1) Without escutcheon.

(2) With escutcheon.

Note: X and Y are the symmetry planes for a 3-pole device.

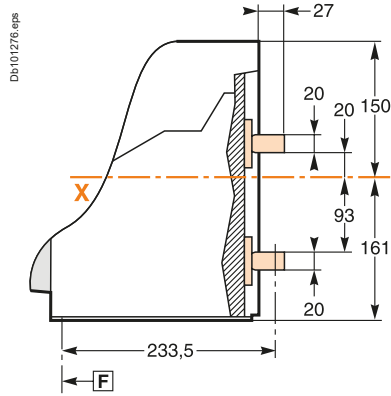
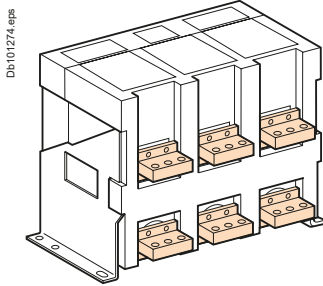
A(\*) An overhead clearance of 50 mm is required to remove the arc chutes.

An overhead clearance of 20 mm is required to remove the terminal block.

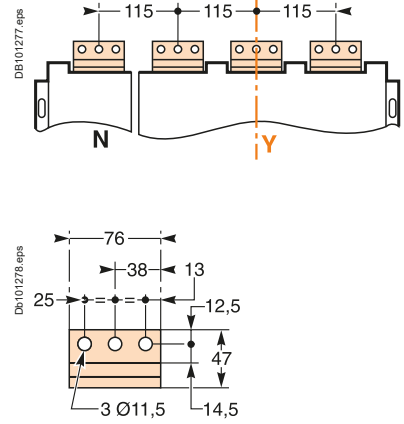
F : datum.

## Connections

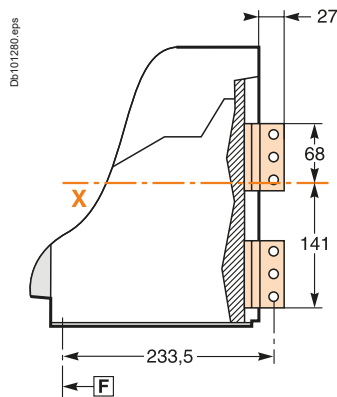
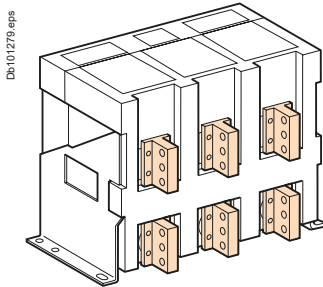
### Horizontal rear connection



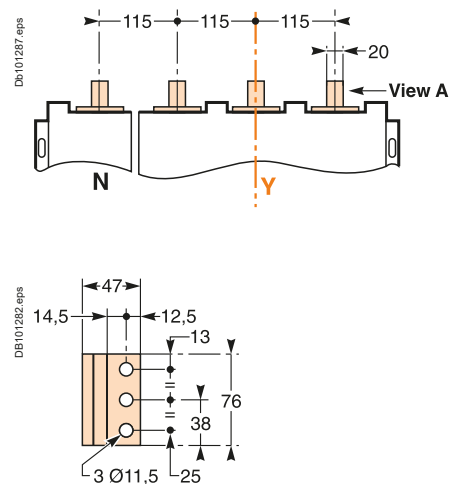
### Detail



### Vertical rear connection

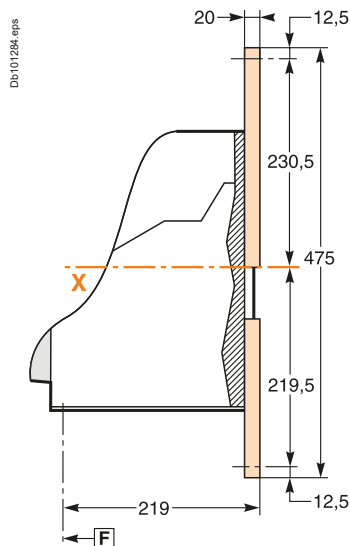
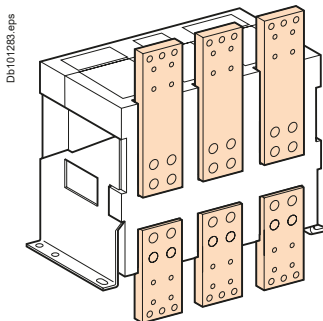


### Detail

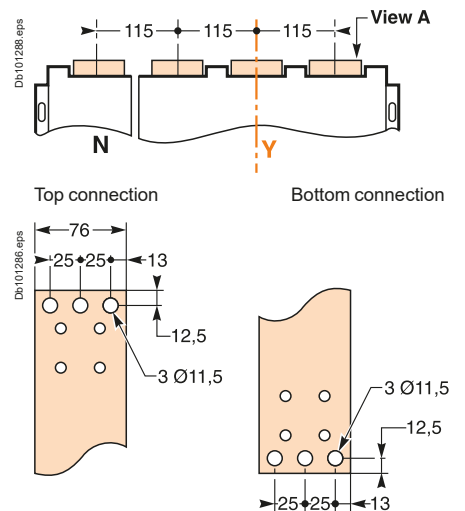


View A detail.

### Front connection



### Detail



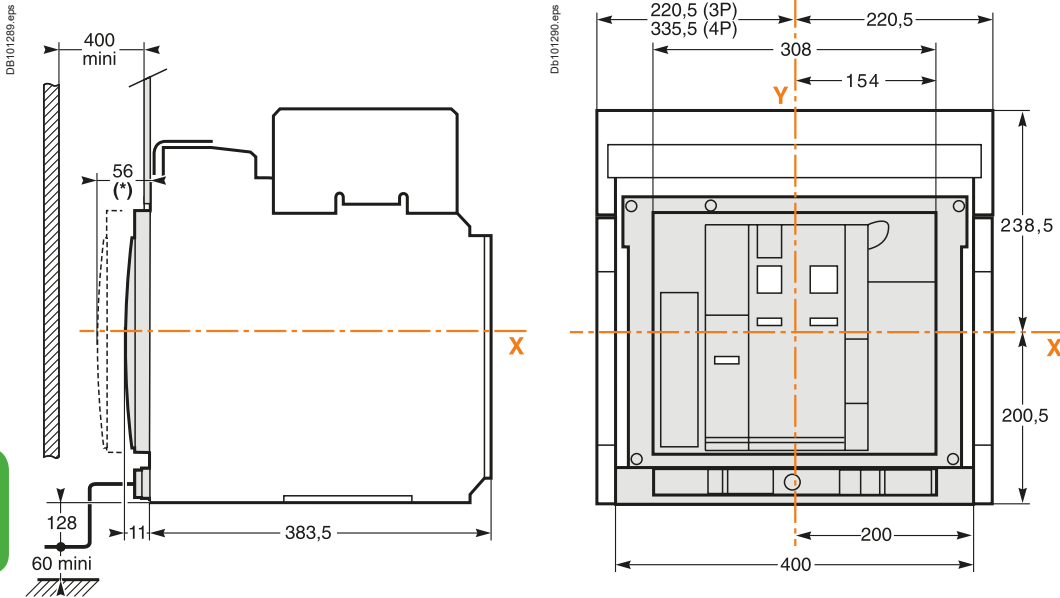
View A detail.

**Note:** recommended connection screws: **M10** class 8.8.  
Tightening torque: **50 Nm** with contact washer.

# NW08 to NW32 circuit breakers

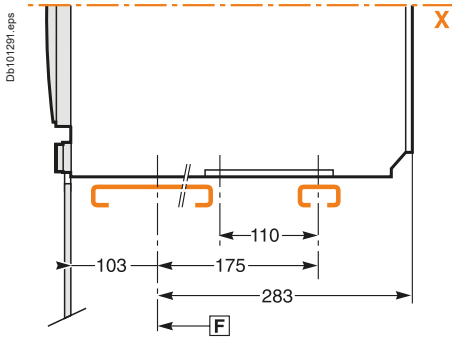
## Drawout 3/4-poles device

### Dimensions

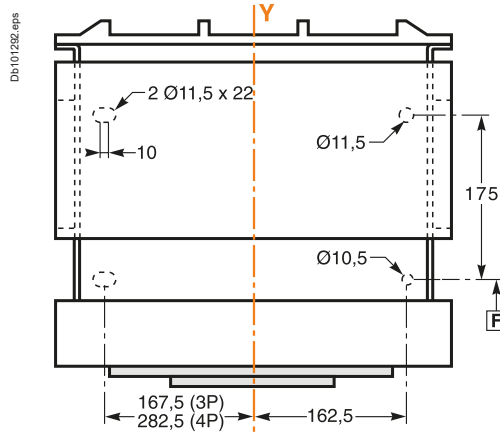


(\*) Disconnected position.

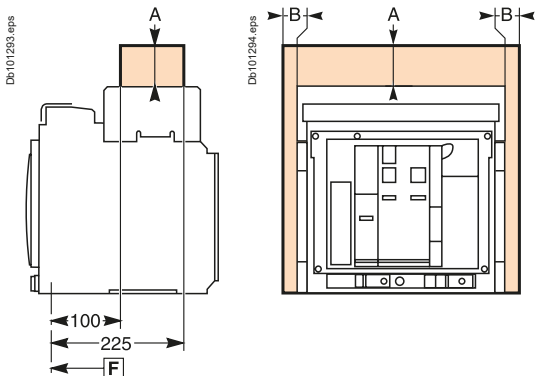
### Mounting on base plate or rails



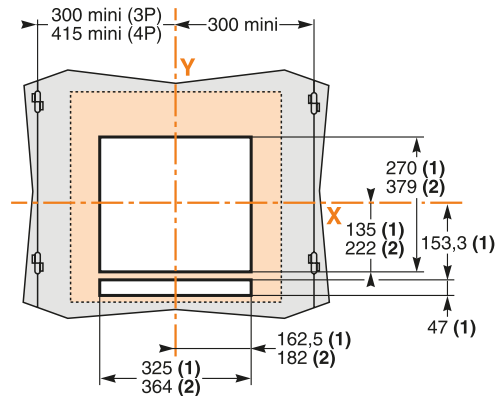
### Mounting detail



### Safety clearances



### Door cutout



	Insulated parts	Metal parts	Energised parts
A	0	0	0
B	0	0	60

(1) Without escutcheon.

(2) With escutcheon.

The safety clearances take into account the space required to remove the arc chutes.

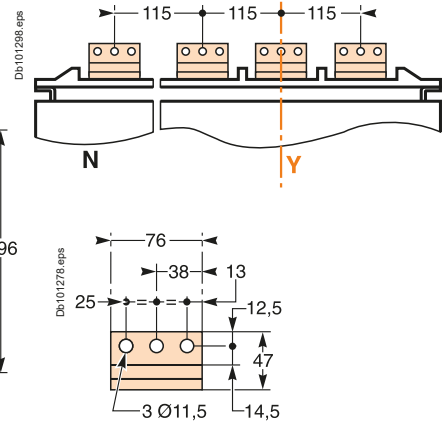
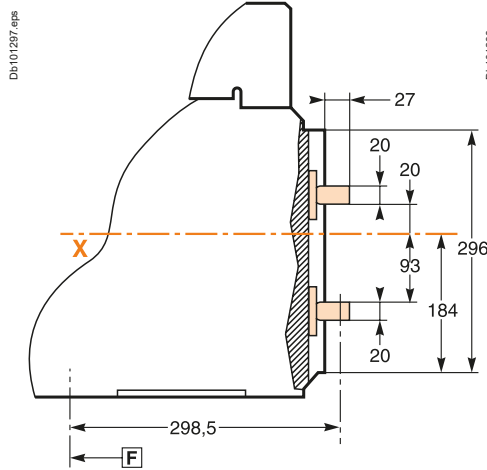
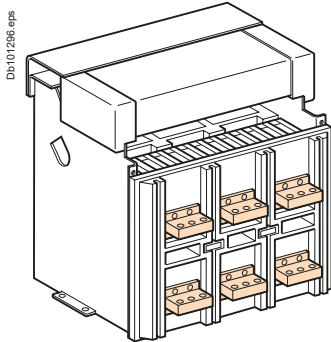
Note: X and Y are the symmetry planes for a 3-pole device.

F: datum.

## Connections

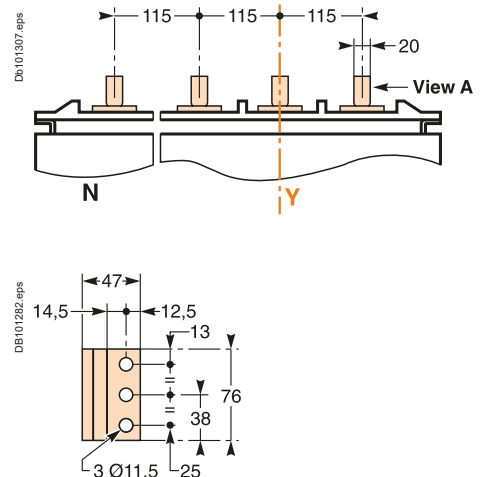
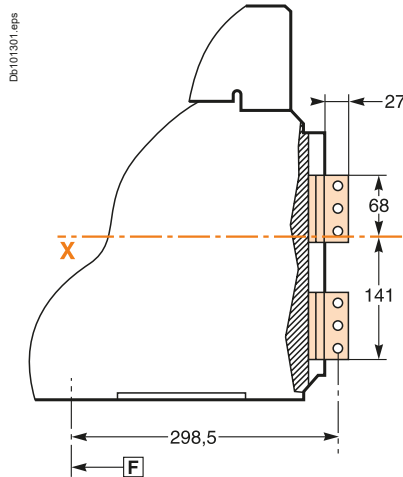
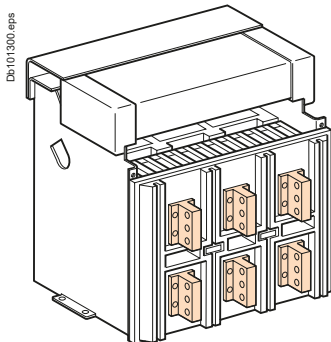
### Horizontal rear connection

### Detail



### Vertical rear connection

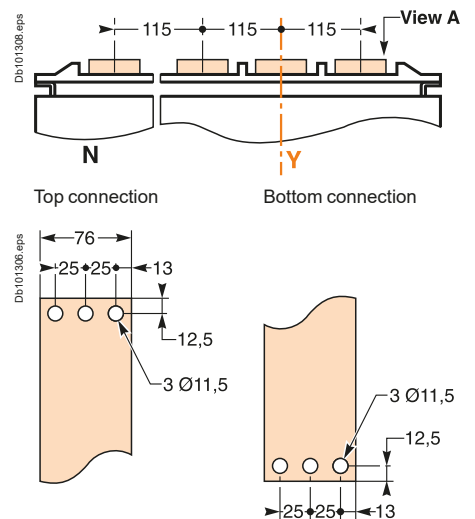
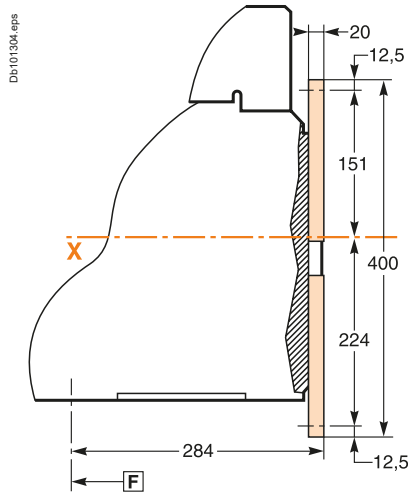
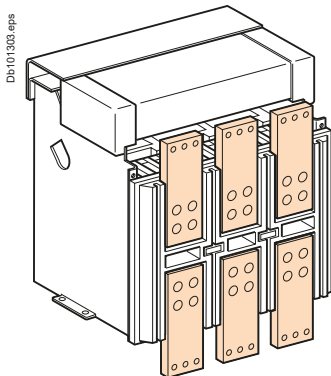
### Detail



View A detail.

### Front connection

### Detail



View A detail.

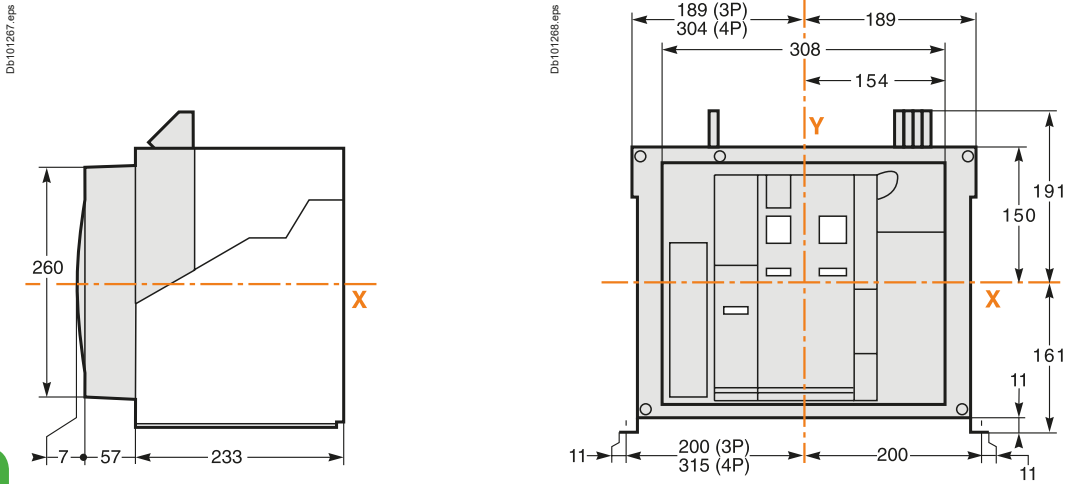
**Note:** recommended connection screws: **M10** class 8.8.  
Tightening torque: **50 Nm** with contact washer.



# NW40 circuit breakers

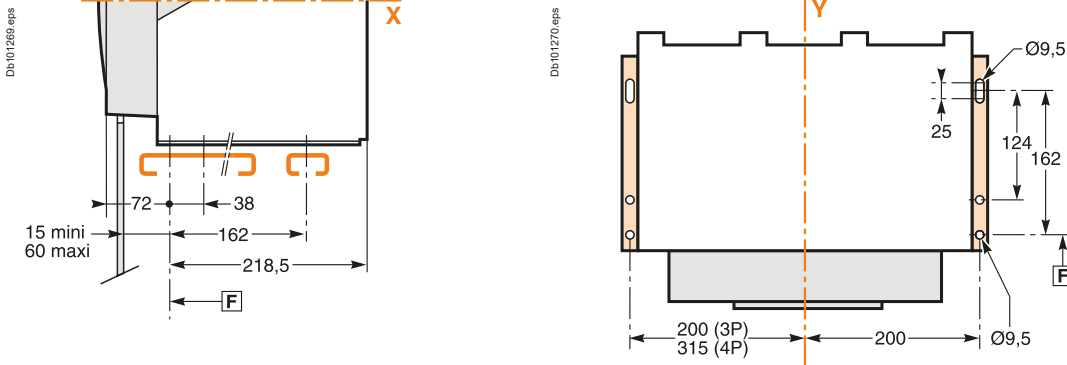
## Fixed 3/4-poles device

### Dimensions



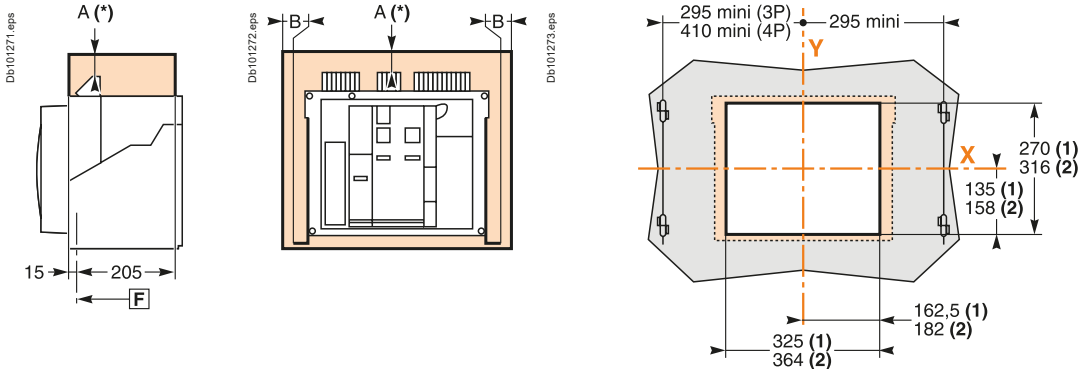
### Mounting on base plate or rails

### Mounting detail



### Safety clearances

### Door cutout



	Insulated parts	Metal parts	Energised parts
A	0	0	100
B	0	0	60

**F**: datum.

(1) Without escutcheon.

(2) With escutcheon.

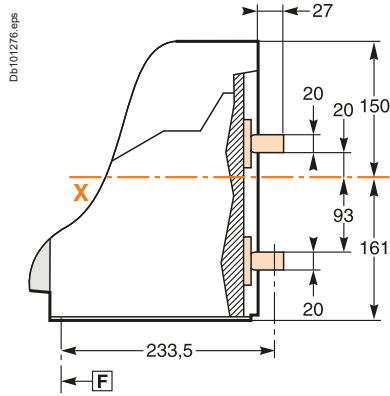
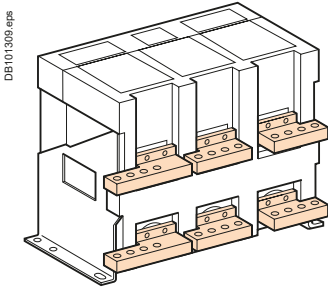
Note: X and Y are the symmetry planes for a 3-pole device.

A(\*) An overhead clearance of 110 mm is required to remove the arc chutes.

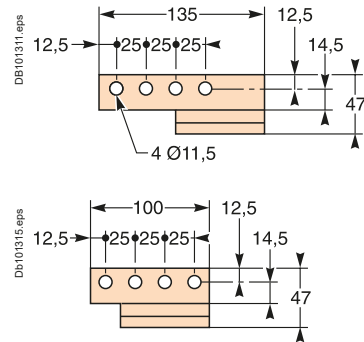
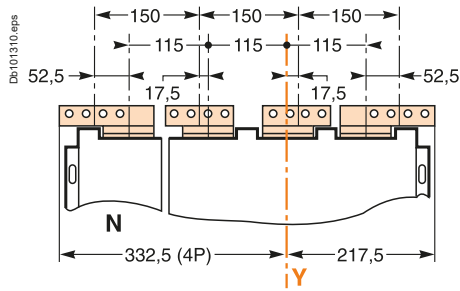
An overhead clearance of 20 mm is required to remove the terminal block.

## Connections

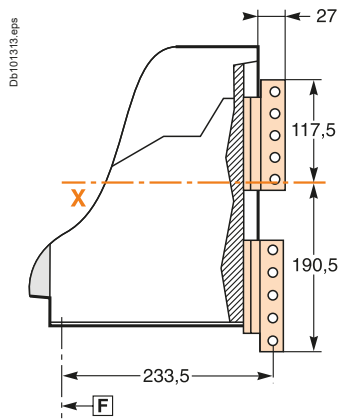
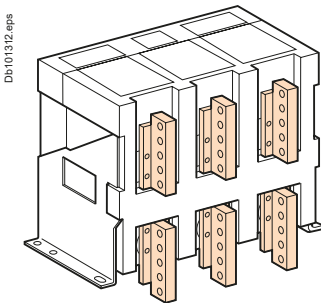
### Horizontal rear connection



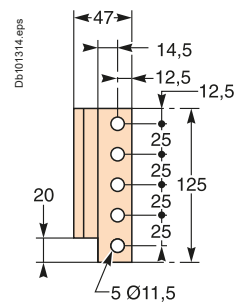
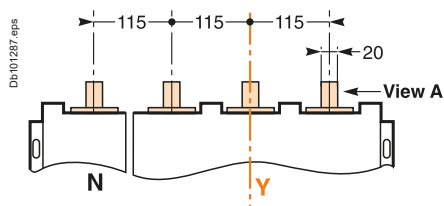
#### Detail



### Vertical rear connection



#### Detail



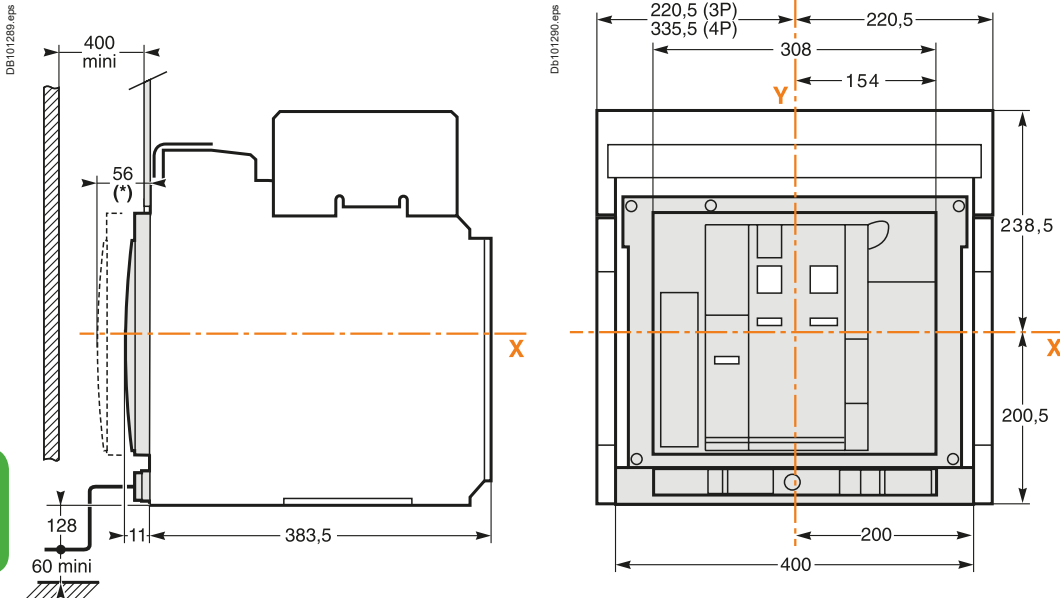
View A detail.

**Note:** recommended connection screws: **M10** class 8.8.  
Tightening torque: **50 Nm** with contact washer.

# NW40 circuit breakers

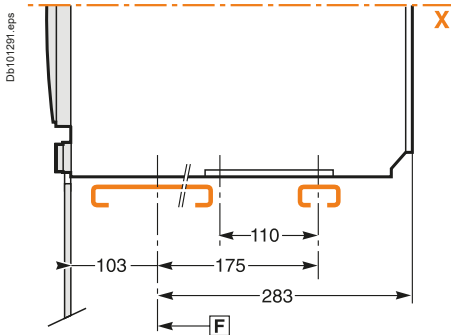
## Drawout 3/4-poles device

### Dimensions

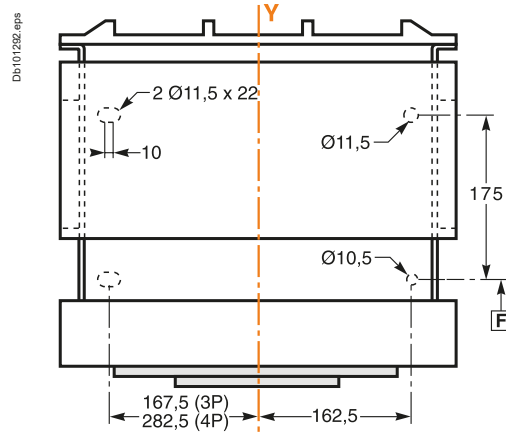


(\*): Disconnected position.

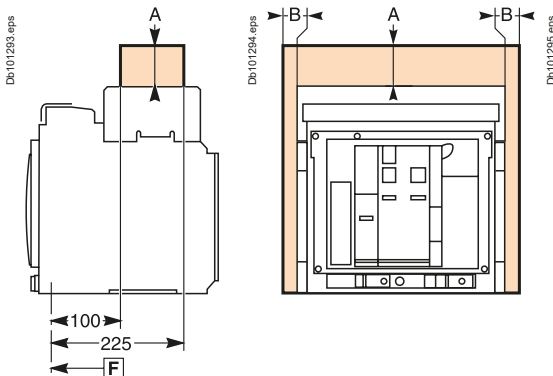
### Mounting on base plate or rails



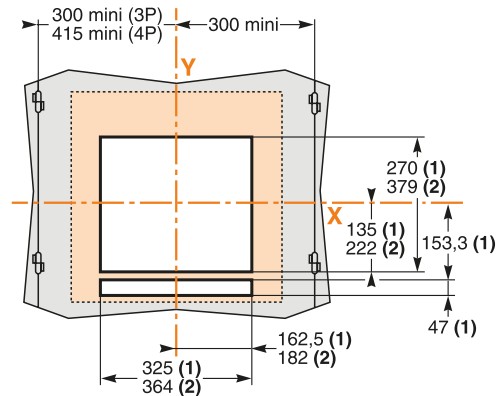
### Mounting detail



### Safety clearances



### Door cutout



	Insulated parts	Metal parts	Energised parts
A	0	0	0
B	0	0	60

**F**: datum.

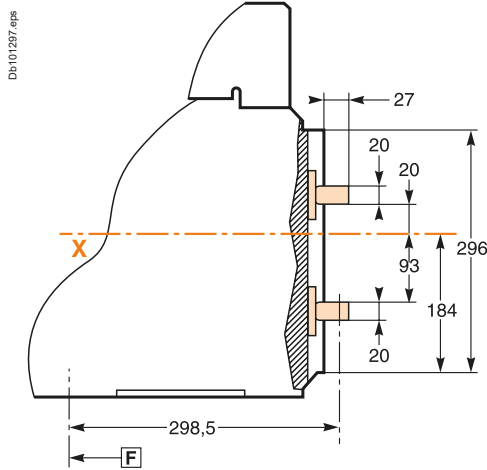
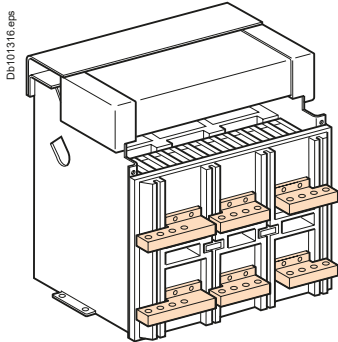
(1) Without escutcheon.

(2) With escutcheon.

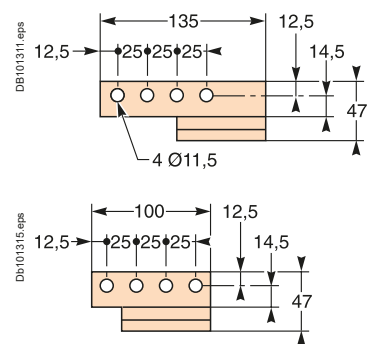
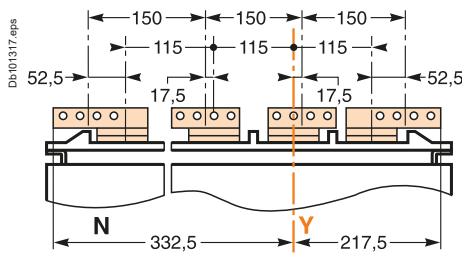
Note: X and Y are the symmetry planes for a 3-pole device.

## Connections

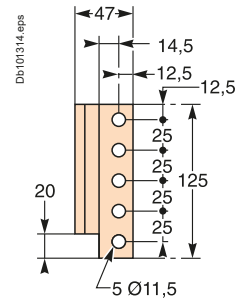
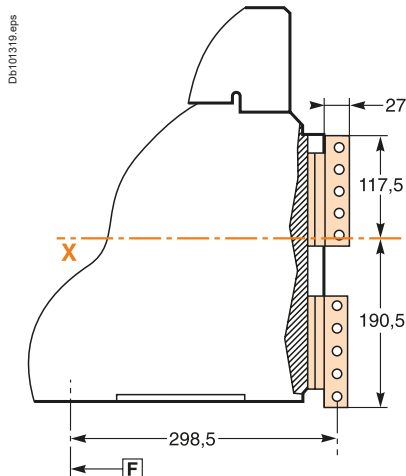
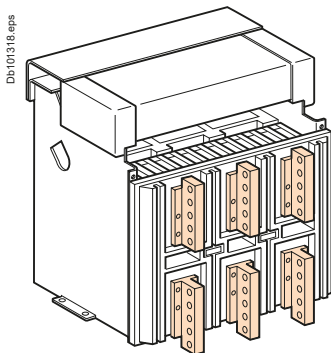
### Horizontal rear connection



#### Detail

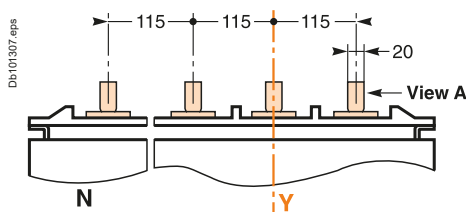


### Vertical rear connection



View A detail.

#### Detail

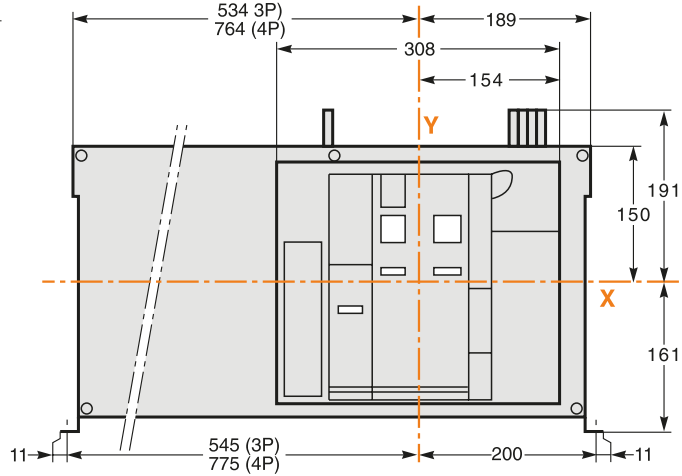
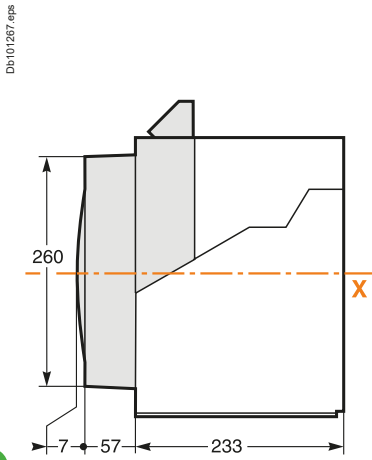


**Note:** recommended connection screws: **M10** class 8.8.  
Tightening torque: **50 Nm** with contact washer.

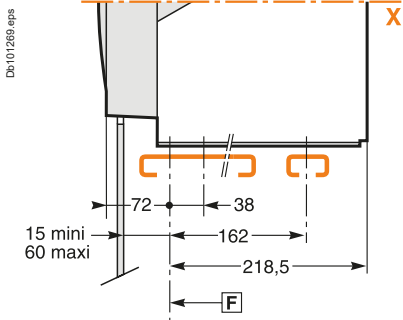
# NW40b to NW63 circuit breakers

## Fixed 3/4-poles device

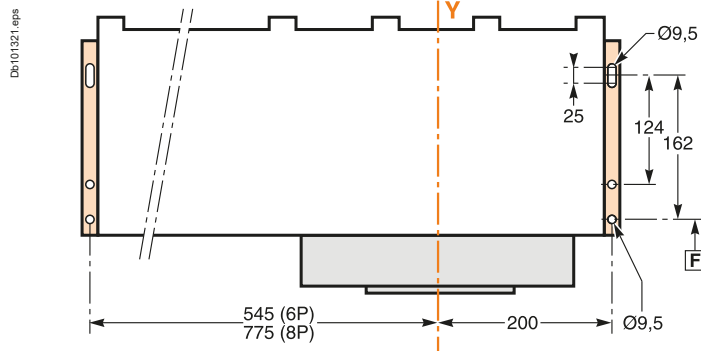
### Dimensions



### Mounting on base plate or rails

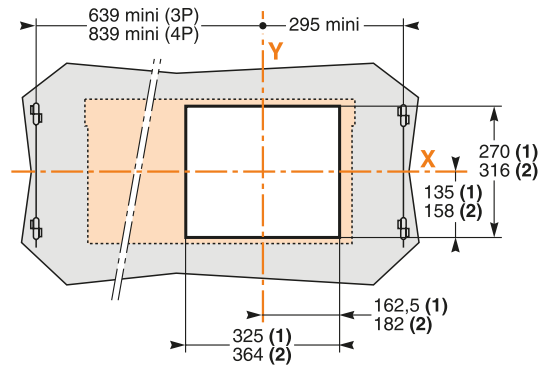
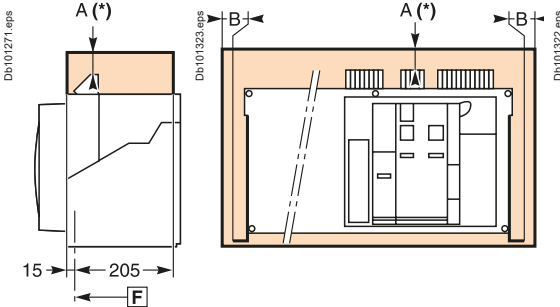


### Mounting detail



### Safety clearances

### Door cutout



	Insulated parts	Metal parts	Energised parts
A	0	0	100
B	0	0	60

(1) Without escutcheon.  
(2) With escutcheon.

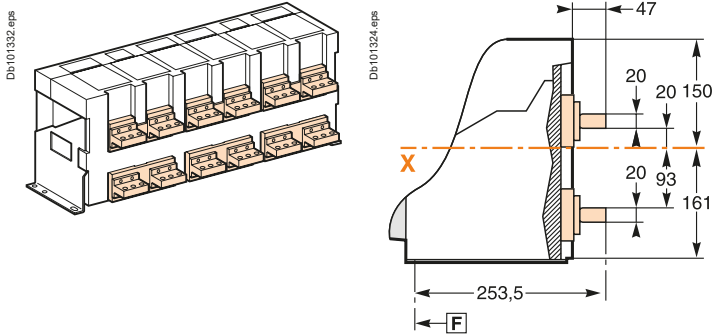
Note: X and Y are the symmetry planes for a 3-pole device.

A(\*) An overhead clearance of 110 mm is required to remove the arc chutes.  
An overhead clearance of 20 mm is required to remove the terminal block.

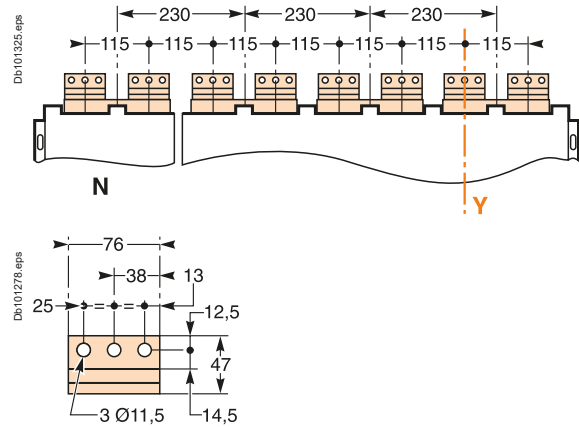
F: datum.

## Connections

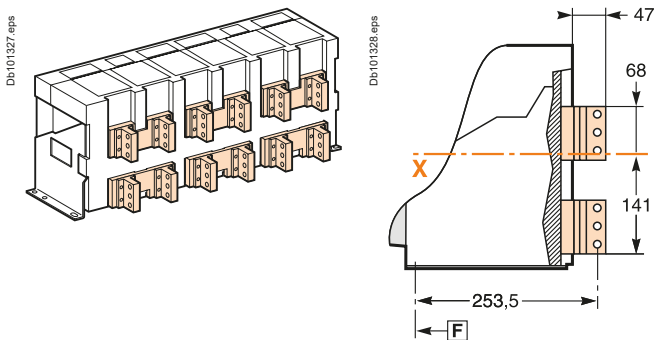
### Horizontal rear connection



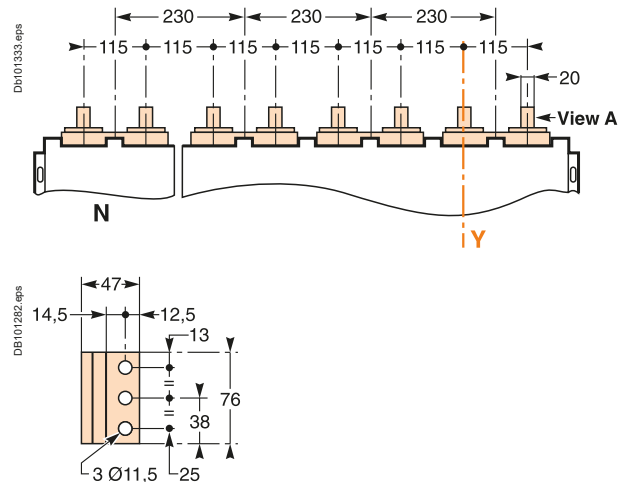
### Detail



### Vertical rear connection

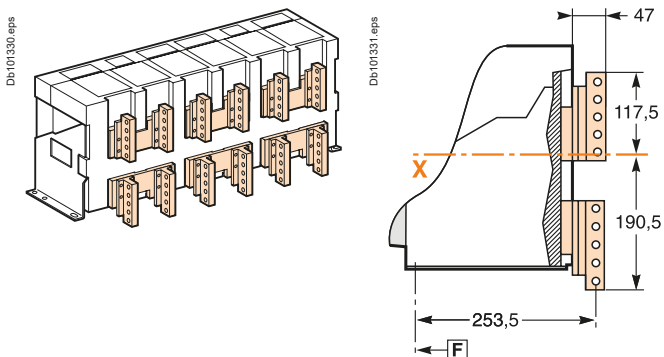


### Detail

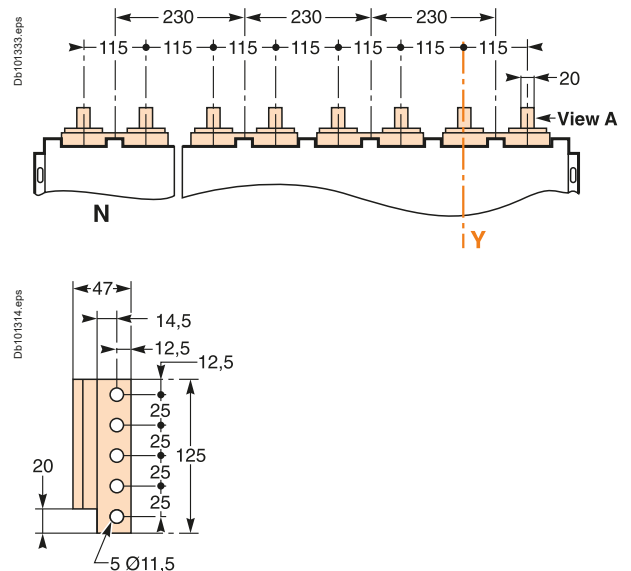


View A detail.

### Front connection



### Detail



View A detail.

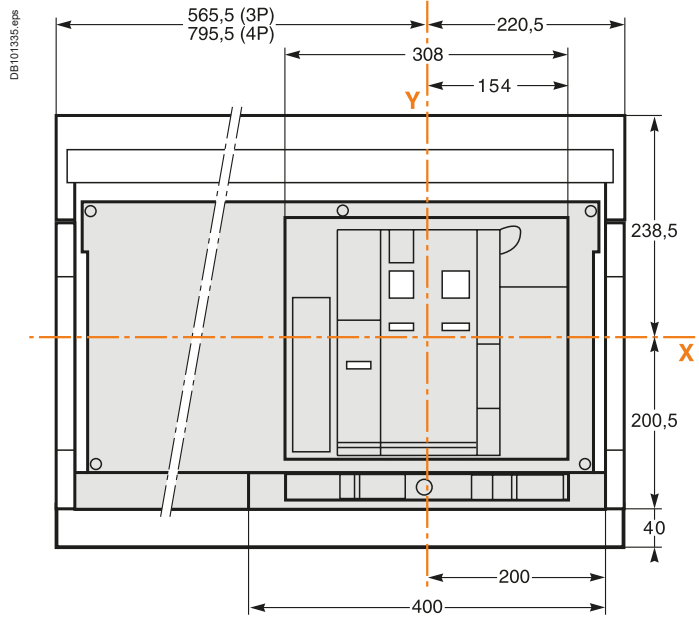
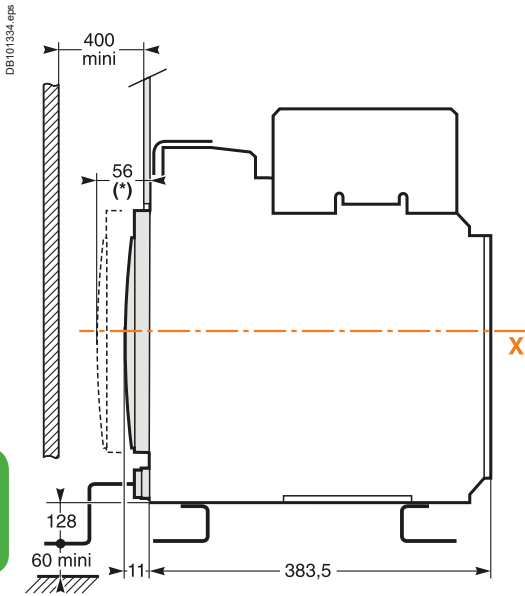
**Note:** recommended connection screws: **M10** class 8.8.  
Tightening torque: **50 Nm** with contact washer.



# NW40b to NW63 circuit breakers

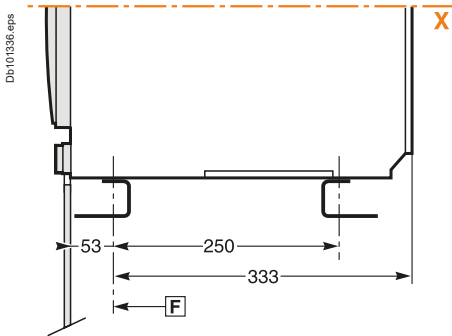
## Drawout 3/4-poles device

### Dimensions

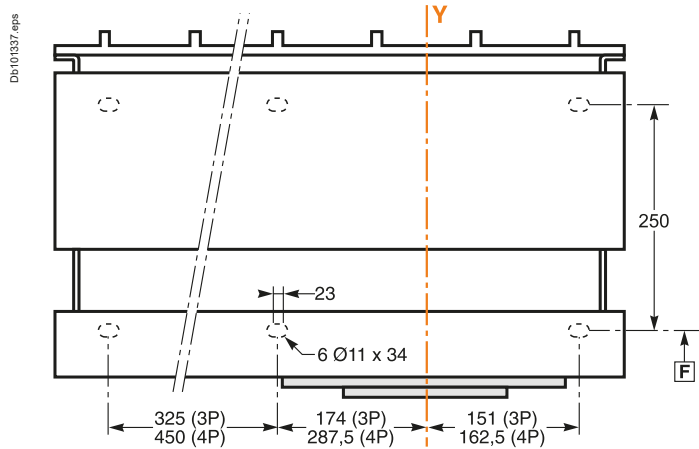


(\*): Disconnected position.

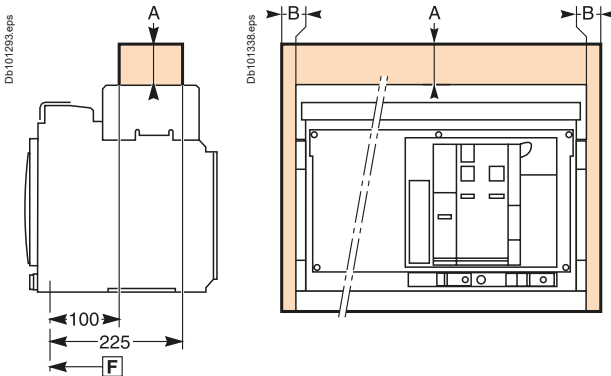
### Mounting on base plate or rails



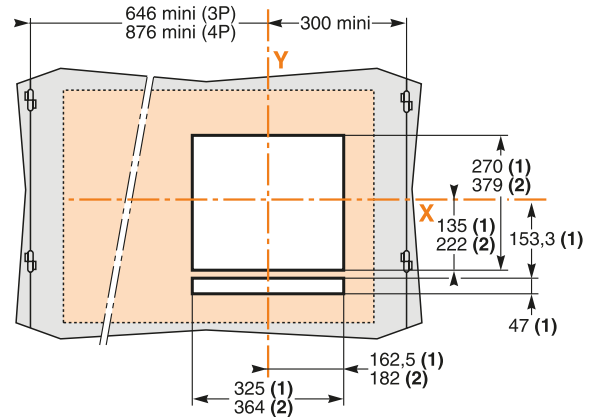
### Mounting detail



### Safety clearances



### Door cutout



	Insulated parts	Metal parts	Energised parts
A	0	0	0
B	0	0	60

(1) Without escutcheon.

(2) With escutcheon.

The safety clearances take into account the space required to remove the arc chutes.

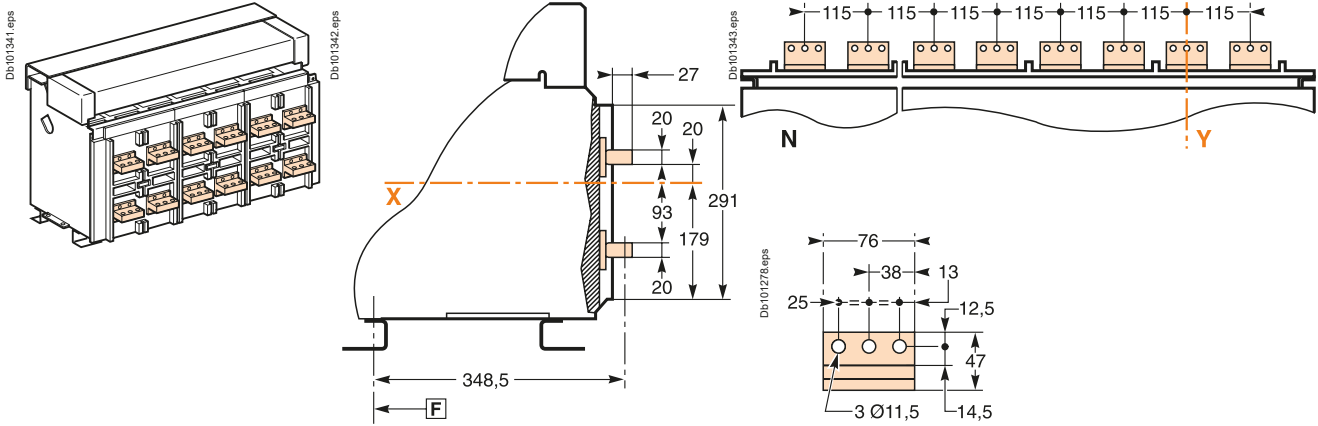
Note: X and Y are the symmetry planes for a 3-pole device.

F: datum.

**Connections**

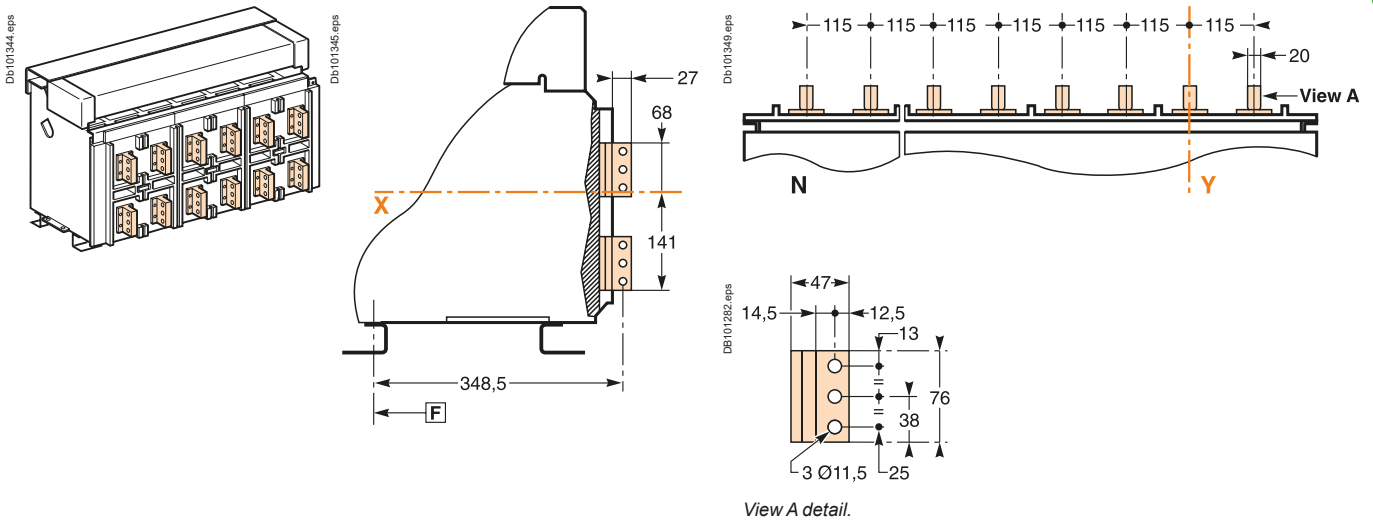
**Horizontal rear connection (NW40b - NW50)**

**Detail**



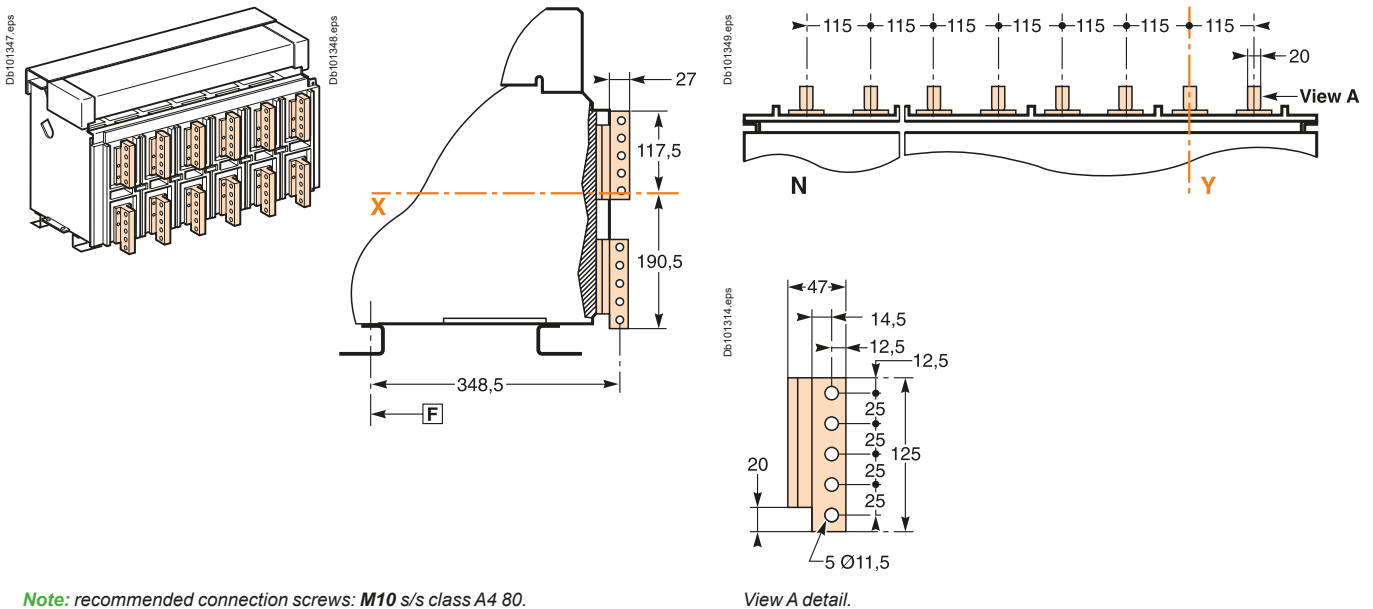
**Vertical rear connection (NW40b - NW50)**

**Detail**



**Vertical rear connection (NW63)**

**Detail**

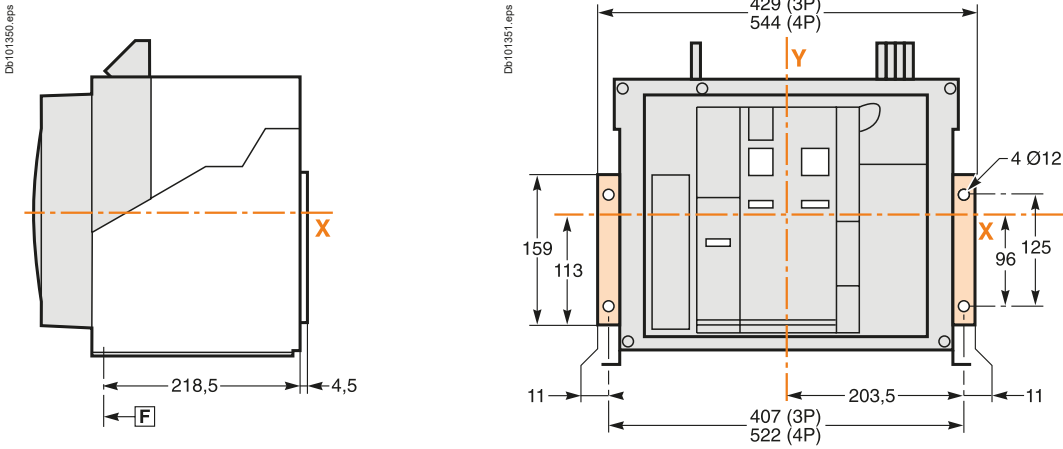


**Note:** recommended connection screws: **M10** s/s class A4 80.  
Tightening torque: **50 Nm** with contact washer.



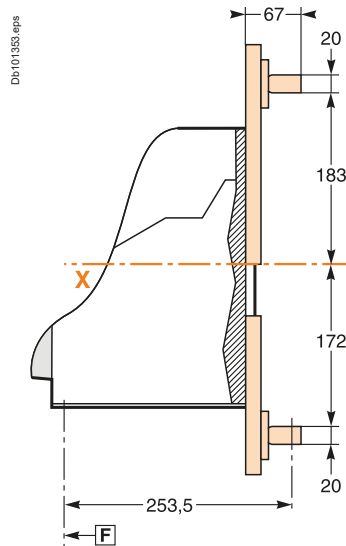
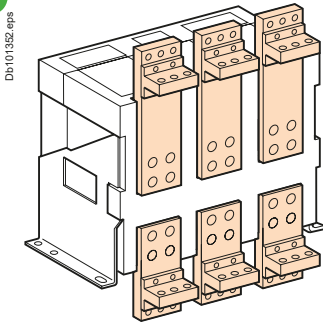


## Mounting on backplate with special brackets (Masterpact NW08 to 32 fixed)

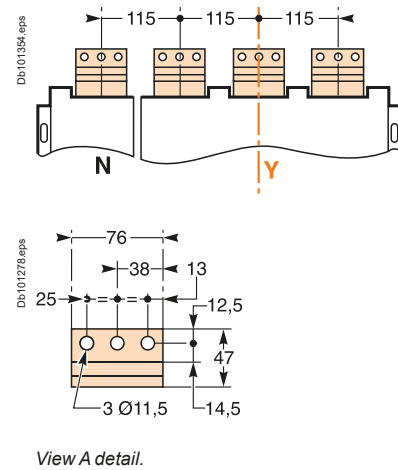


## Disconnectable front-connection adapter (Masterpact NW08 to 32 fixed)

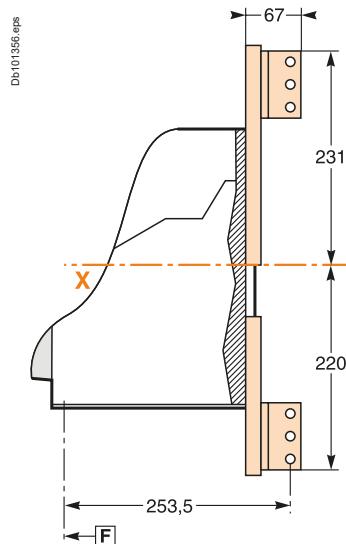
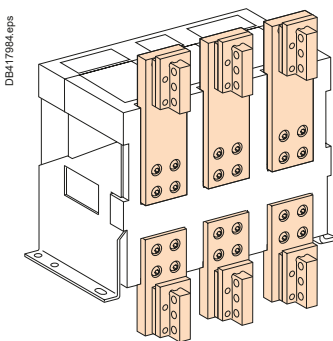
### Horizontal rear connection



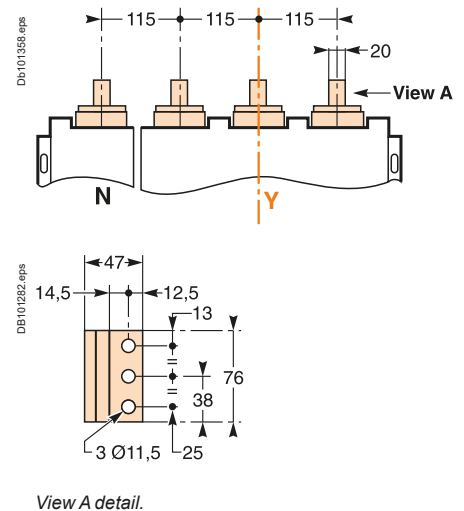
### Detail



### Vertical rear connection



### Detail



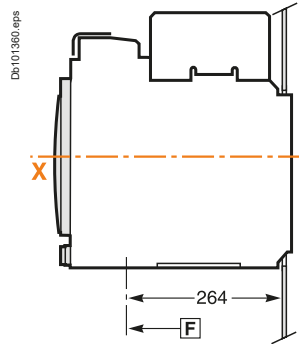
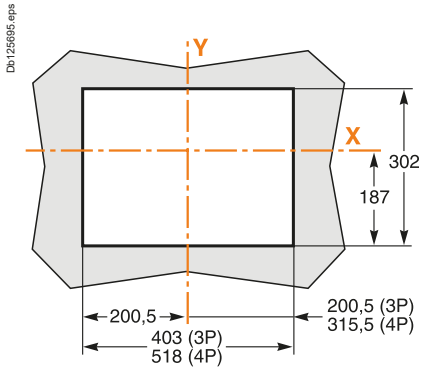
**Note:** recommended connection screws: **M10** class 8.8.  
Tightening torque: **50 Nm** with contact washer.

**F**: datum.

### Rear panel cutout (drawout devices)

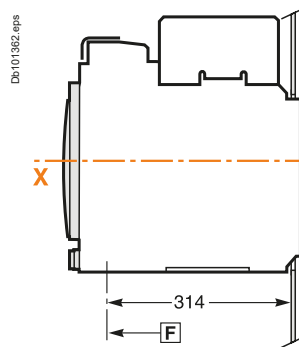
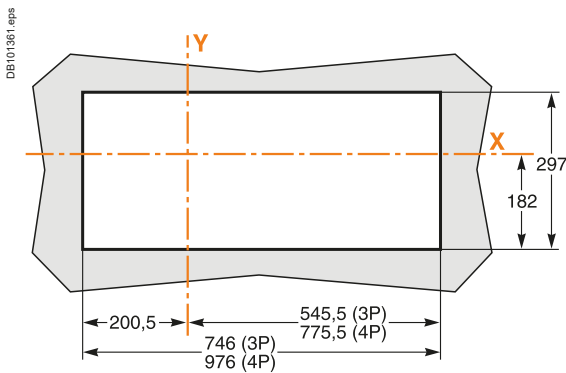
#### NW08 to NW40

Rear view



#### NW40b to NW63

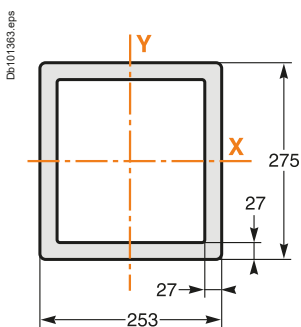
Rear view



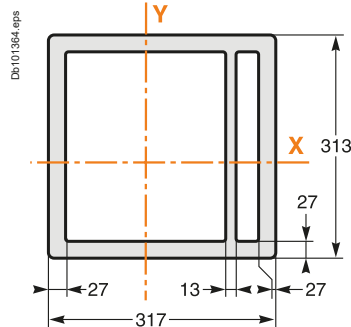
### Escutcheon

#### Masterpact NT

Fixed device

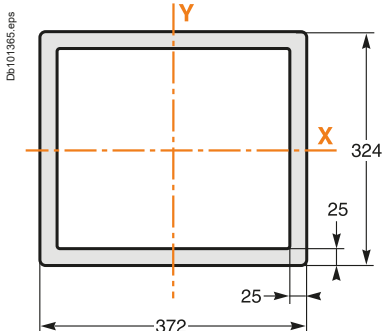


Drawout device

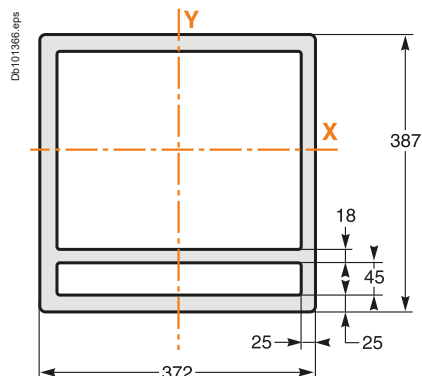


#### Masterpact NW

Fixed device



Drawout device



**F**: datum.



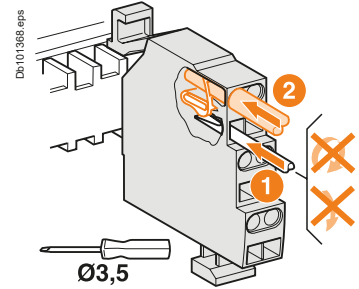
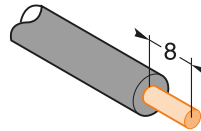
# Dimensions and connections

## NT/NW external modules

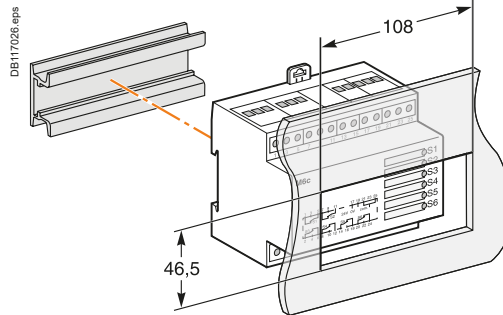
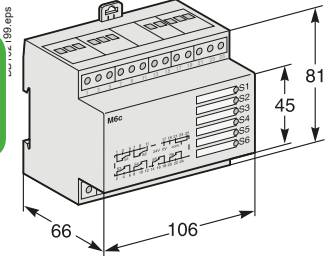
### Connection of auxiliary wiring to terminal block

DB101367.eps

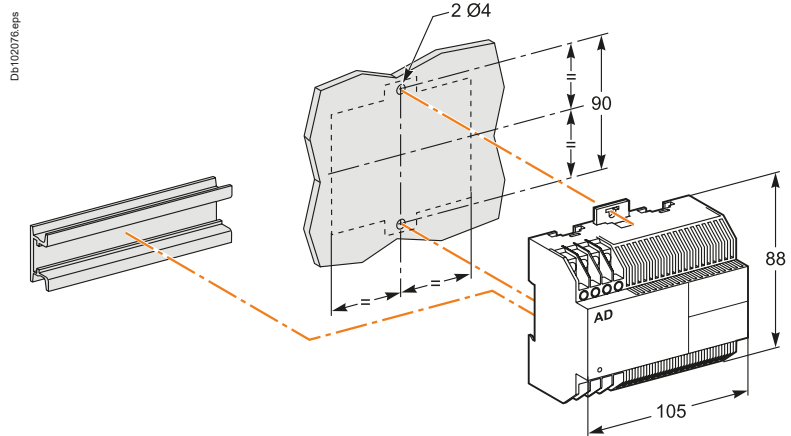
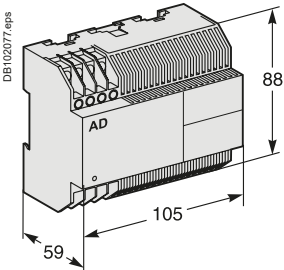
- S : 0,6 mm<sup>2</sup>
- S : 2,5 mm<sup>2</sup>



### M6C relay module

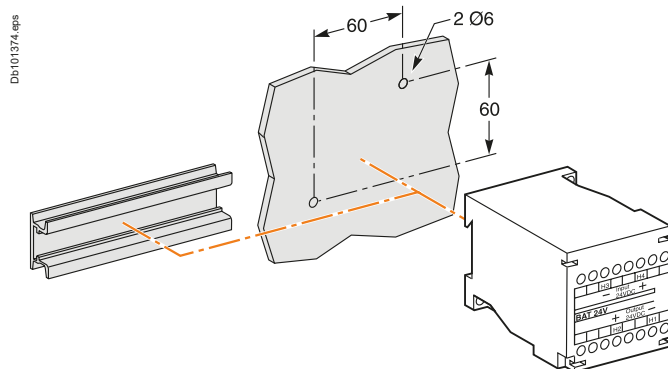
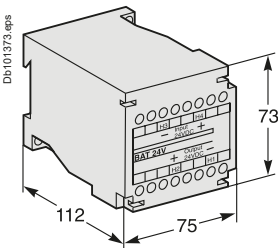


### External power supply module (AD)

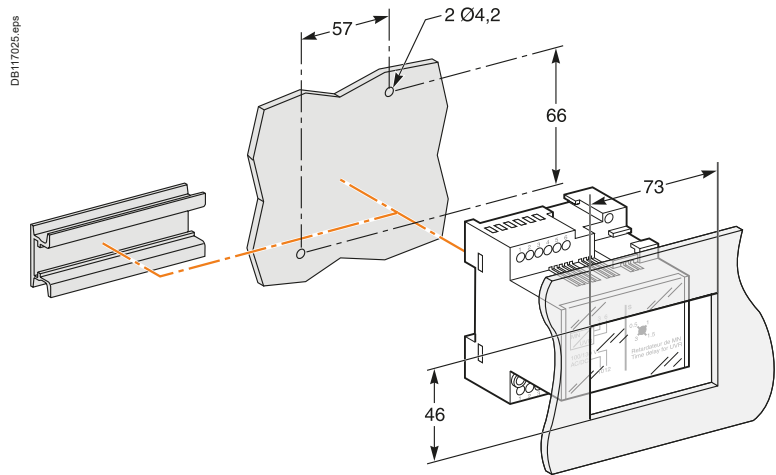
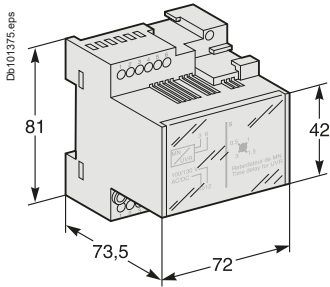


### Battery module (BAT)

#### Mounting



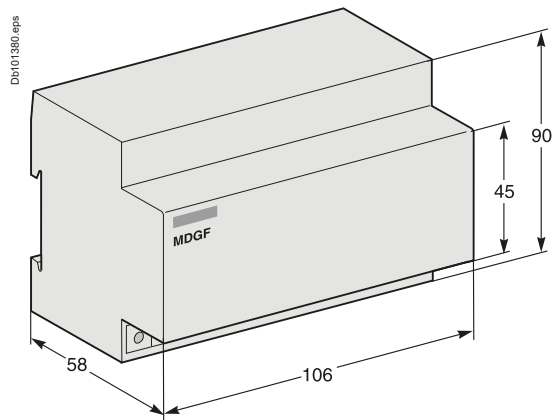
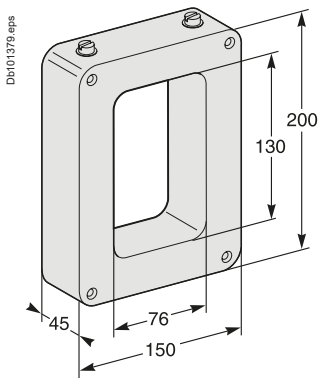
**Delay unit for MN release**



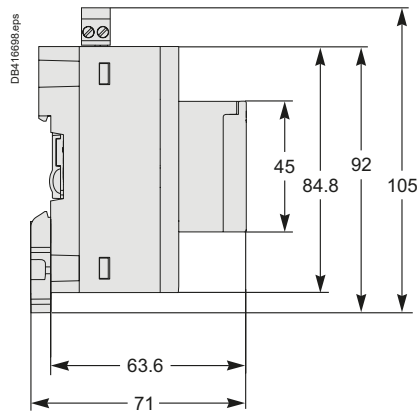
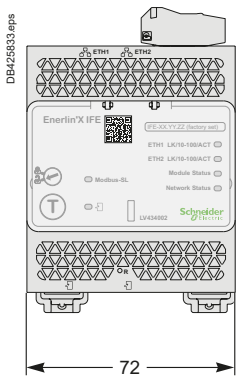
**External sensor for source ground return (SGR) protection**

Sensor

“MGDF summer” module



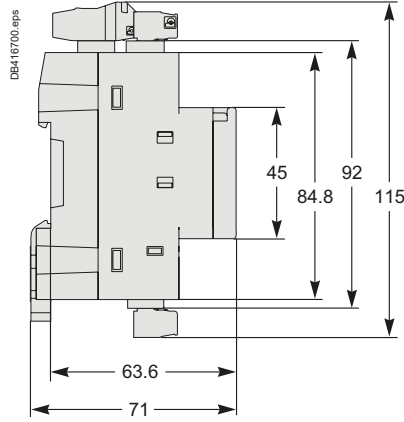
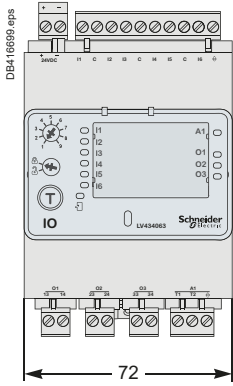
**IFE - Ethernet interface**



# Dimensions and connections

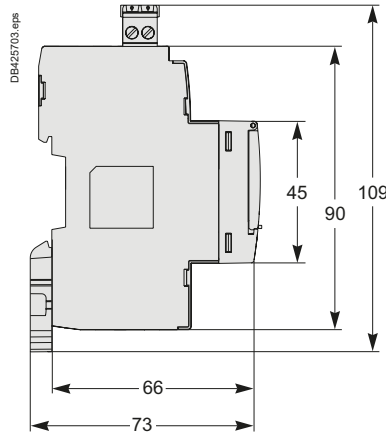
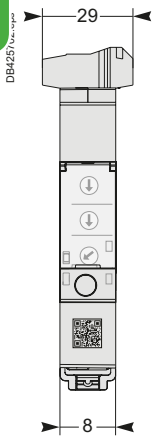
## NT/NW external modules

### I/O (Input/Output) application module

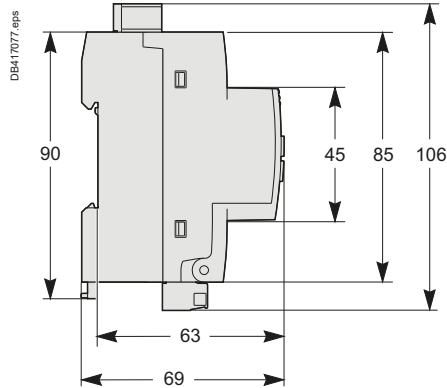
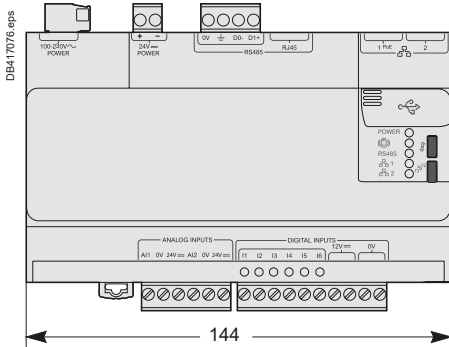


### C

### IFM - Modbus-SL interface



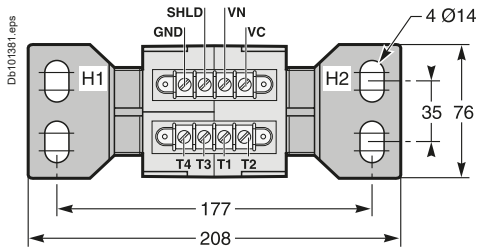
### Com'X 200



## External sensor for external neutral

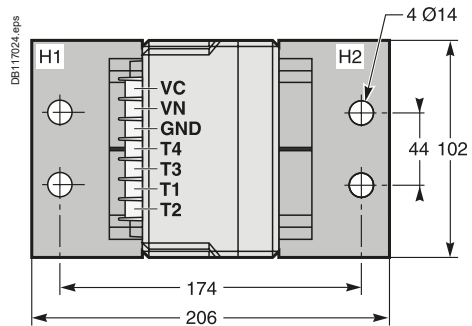
### Dimensions

#### 400/1600 A (NT06 to NT16)



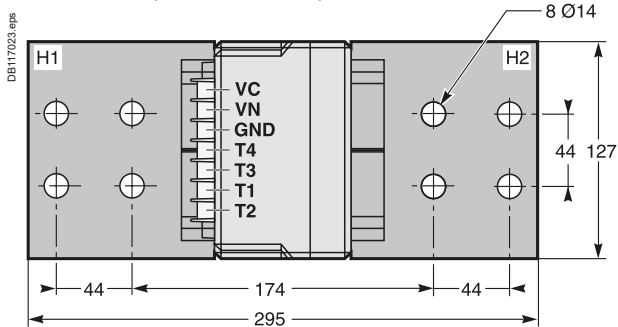
High: 137 mm.

#### 400/2000 A (NW08 to NW20)



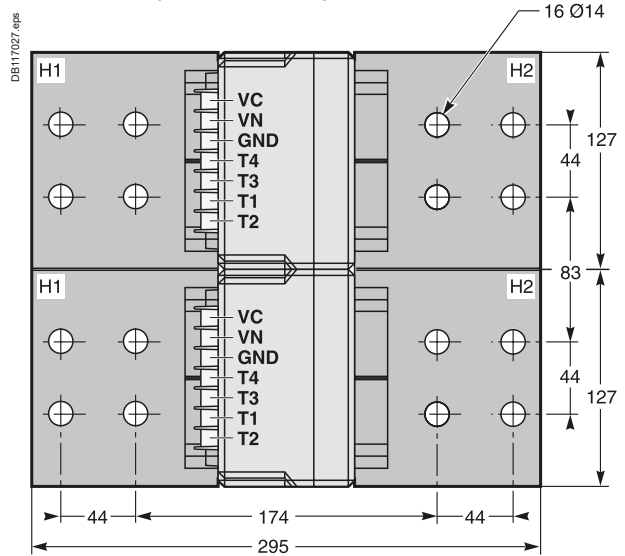
High: 162 mm.

#### 1000/4000 A (NW025 to NW40)



High: 162 mm.

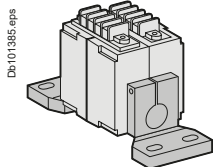
#### 4000/6300 A (NW40b to NW63)



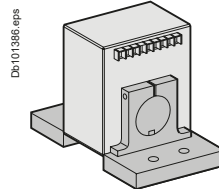
High: 168 mm.

### Installation

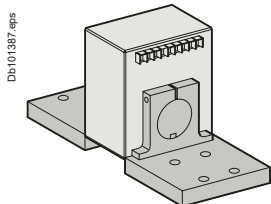
#### 400/1600 A (NT06 to NT16)



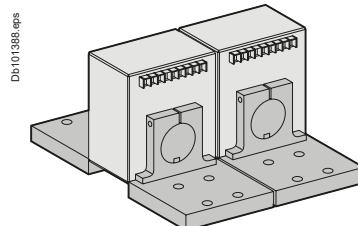
#### 400/2000 A (NW08 to NW20)



#### 1000/4000 A (NW025 to NW40)



#### 4000/6300 A (NW40b to NW63)

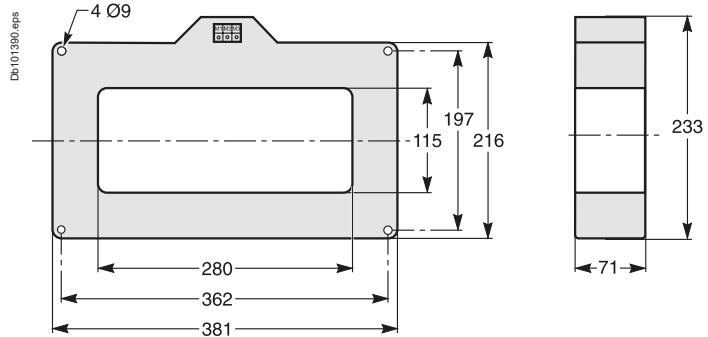
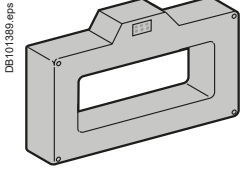


# Dimensions and connections

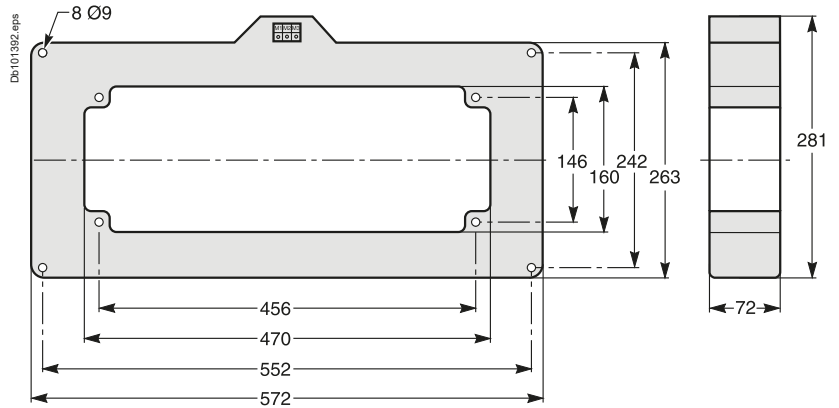
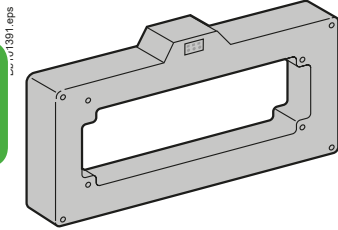
## NT/NW external modules

### Rectangular sensor for earth leakage protection (Vigi)

280 x 115 mm window



470 x 160 mm window

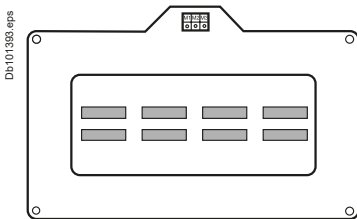


Busbars	I ≤ 1600 A	I ≤ 3200
Window (mm)	280 x 115	470 x 160
Weight (kg)	14	18

### Busbars path

280 x 115 mm window

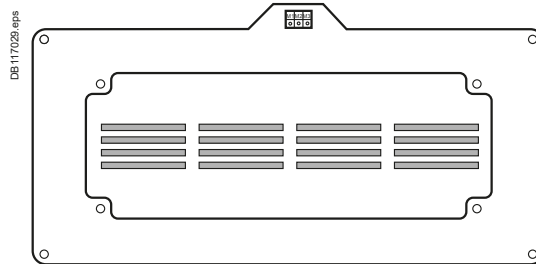
Busbars spaced 70 mm centre-to-centre



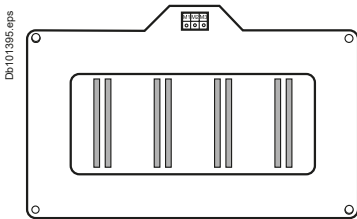
2 bars 50 x 10.

470 x 160 mm window

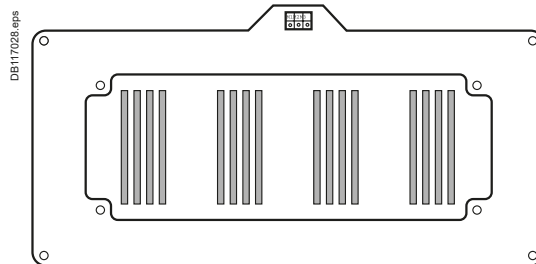
Busbars spaced 115 mm centre-to-centre



4 bars 100 x 5.



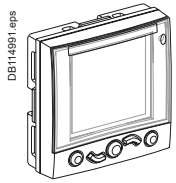
2 bars 100 x 5.



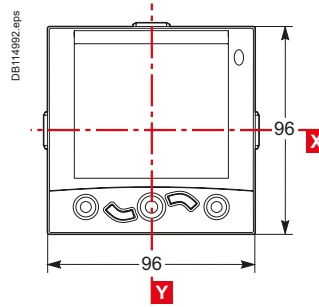
4 bars 125 x 5.

# FDM121 switchboard display

## Dimensions



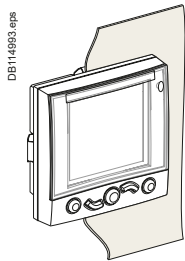
DB114991.eps



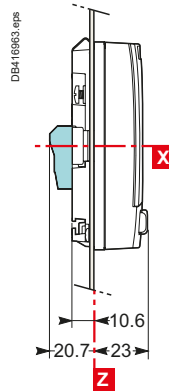
DB114992.eps

## Mounting

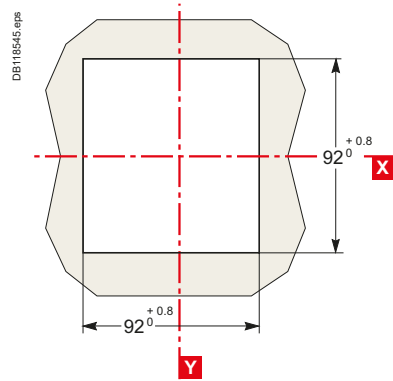
### Through panel



DB114993.eps

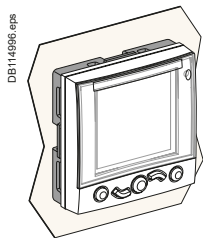


DB116963.eps

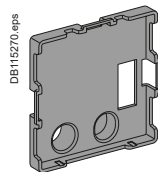


DB118545.eps

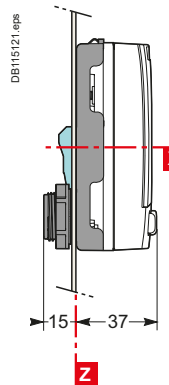
### On panel



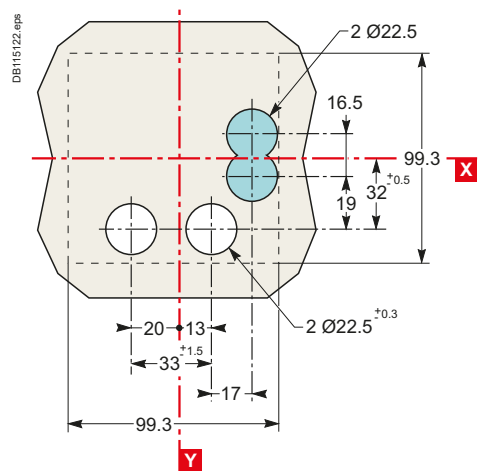
DB114996.eps



DB115270.eps



DB115121.eps



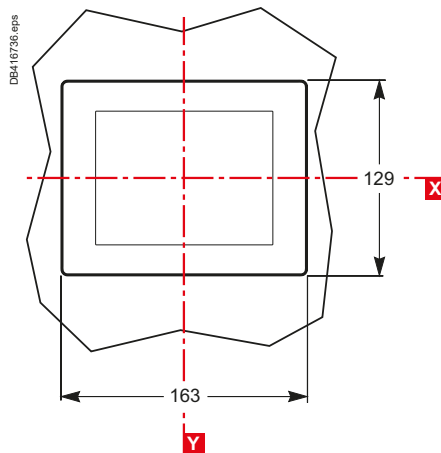
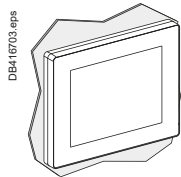
DB115122.eps

 Connector (optional).



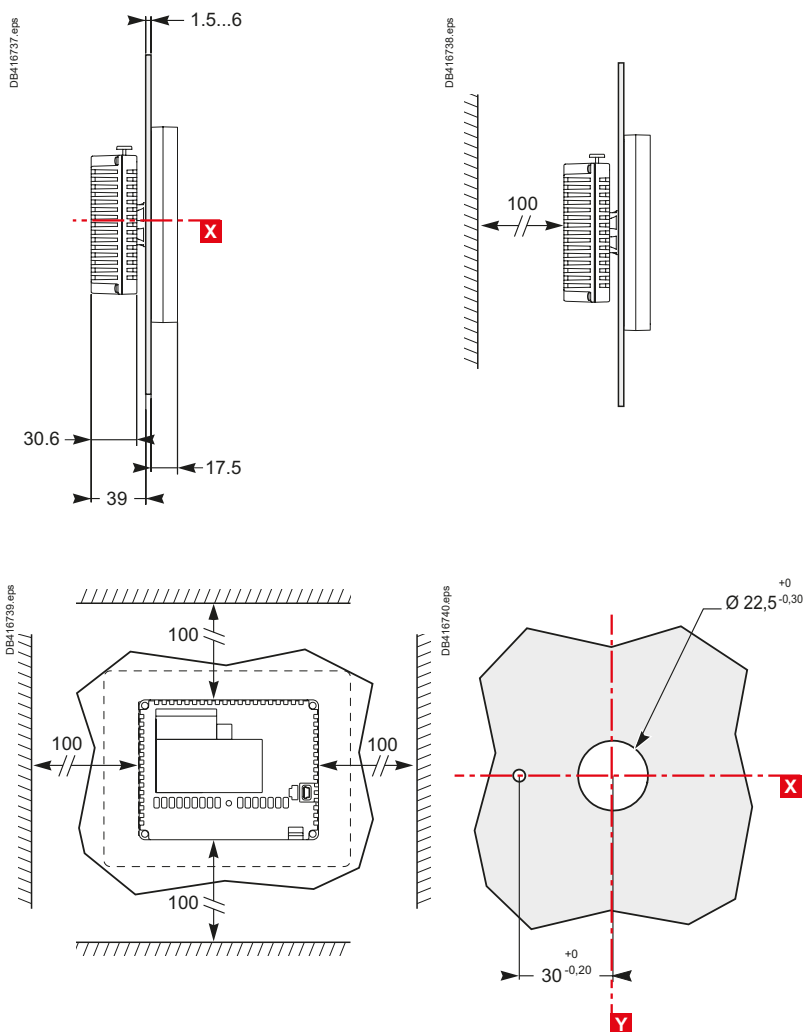
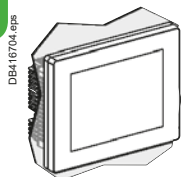
# FDM128 switchboard display

## Dimensions



## Mounting

### On panel

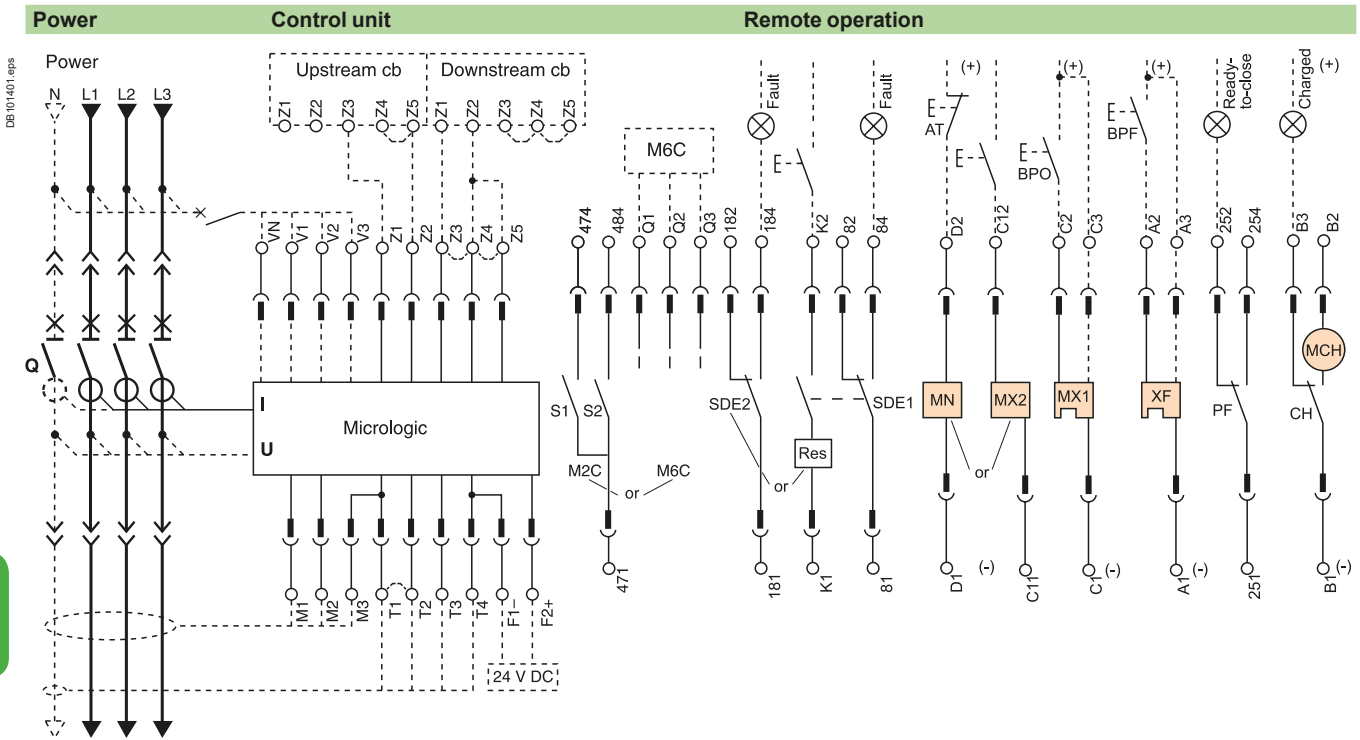


<i>Presentation</i>	2
<i>Functions and characteristics</i>	A-1
<i>Installation recommendations</i>	B-1
<i>Dimensions and connections</i>	C-1
<b>Masterpact NT06 to NT16</b>	
Fixed and drawout devices	D-2
<b>Masterpact NW08 to NW63</b>	
Fixed and drawout devices	D-4
<b>Masterpact NT and NW</b>	
Earth-fault and earth-leakage protection	
Neutral protection - Zone selective interlocking	D-6
Communication	D-8
<b>Fixed, electrically operated Masterpact NT and NW</b>	
Connection to the communication interface module	D-9
<b>Withdrawable Masterpact NT and NW</b>	
Connection to the I/O and communication interface module	D-10
<b>Masterpact NT and NW</b>	
24 V DC external power supply AD module	D-11
<i>Additional characteristics</i>	E-1
<i>Catalogue numbers and order form</i>	F-1

# Masterpact NT06 to NT16

## Fixed and drawout devices

The diagram is shown with circuits de-energised, all devices open, connected and charged and relays in normal position.



Terminal block marking	Control unit									
	Com	UC1	UC2	UC3	UC4 / M2C / M6C					
E5 E6	○ ○	○ ○	○ ○	○ ○	○ ○	○ ○	○ ○	○ ○	○ ○	○ ○
E3 E4	○ ○	○ ○	○ ○	○ ○	○ ○	○ ○	○ ○	○ ○	○ ○	○ ○
E1 E2	○ ○	○ ○	○ ○	○ ○	○ ○	○ ○	○ ○	○ ○	○ ○	○ ○
	Z5 Z1	M1 M2	M3 M4	F2+ F1-	V3 V1	484 471	Q3 Q2			

Remote operation									
SDE2 / Res	SDE1	MN / MX2	MX1	XF	PF	MCH			
○ ○	○ ○	○ ○	○ ○	○ ○	○ ○	○ ○	○ ○	○ ○	○ ○
184 / K2	84	D2 / C12	C2	A2	254	B2			
182	82		C3	A3	252	B3			
181 / K1	81	D1 / C11	C1	A1	251	B1			

A	E	P	H	Control unit
■	■	■	■	<b>Com</b> : E1-E6 communication
■	■	■	■	<b>UC1</b> : Z1-Z5 zone selective interlocking Z1 = ZSI OUT SOURCE Z2 = ZSI OUT ; Z3 = ZSI IN SOURCE Z4 = ZSI IN ST (short time) Z5 = ZSI IN GF (earth fault) M1 = Vigi module input (Micrologic 7)
■	■	■	■	<b>UC2</b> : T1, T2, T3, T4 = external neutral M2, M3 = Vigi module input (Micrologic 7)
■	■	■	■	<b>UC3</b> : F2+, F1- external 24 V DC power supply VN external voltage connector (must be connected to the neutral with a 3P circuit breaker)
■	■	■	■	<b>UC4</b> : External Voltage Connector (PTE option) or <b>M2C</b> : 2 programmable contacts (external relay) ext. 24 V DC power supply required. or <b>M6C</b> : 6 programmable contacts to be connected to the external module M6C) ext. 24 V DC power supply required.

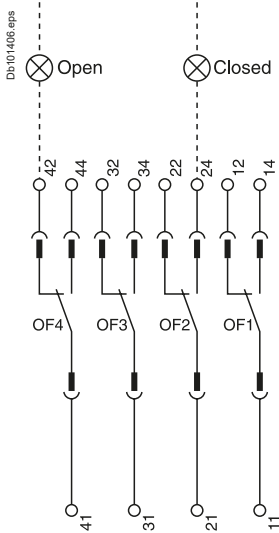
Remote operation									
<b>SDE2</b> : fault-trip indication contact or <b>Res</b> : remote reset									
<b>SDE1</b> : fault-trip indication contact (supplied as standard)									
<b>MN</b> : undervoltage release or <b>MX2</b> : shunt release									
<b>MX1</b> : shunt release (standard or communicating)									
<b>XF</b> : closing release (standard or communicating)									
<b>PF</b> : ready-to-close contact									
<b>MCH</b> : electric motor									
<i>Note: when communicating MX or XF releases are used, the third wire (C3,A3) must be connected even if the communication module is not installed.</i>									

A : digital ammeter. P : A + power meter + additional protection.  
E : energy. H : P + harmonics.

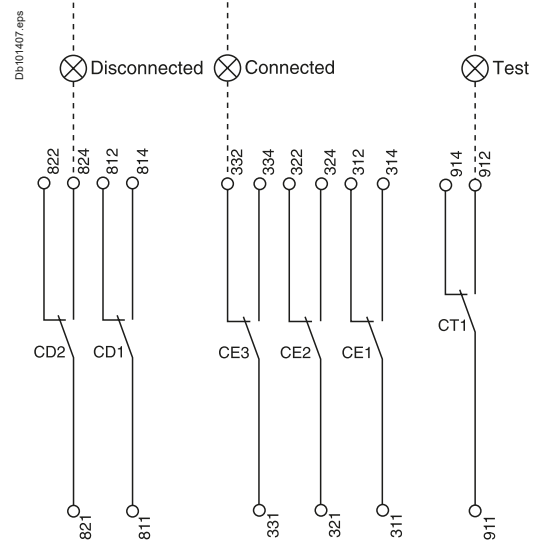
# Masterpact NT06 to NT16

## Fixed and drawout devices

### Indication contacts



### Chassis contacts



### Indication contacts

OF4	OF3	OF2	OF1
44	34	24	14
42	32	22	12
41	31	21	11

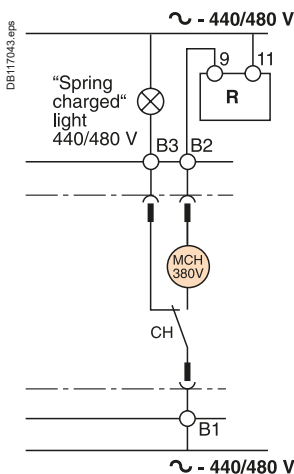
### Chassis contacts

CD2	CD1	CE3	CE2	CE1	CT1
824	814	334	324	314	914
822	812	332	322	312	912
821	811	331	321	311	911

### Indication contacts

OF4 / OF3 / OF2 / OF1 : ON/OFF indication contacts.

(\*) Spring charging motor 440/480 V AC  
(380 V motor + additional resistor).



### Chassis contacts

CD2 : disconnected position contacts      CE3 : connected position contacts      CT1 : test position contacts

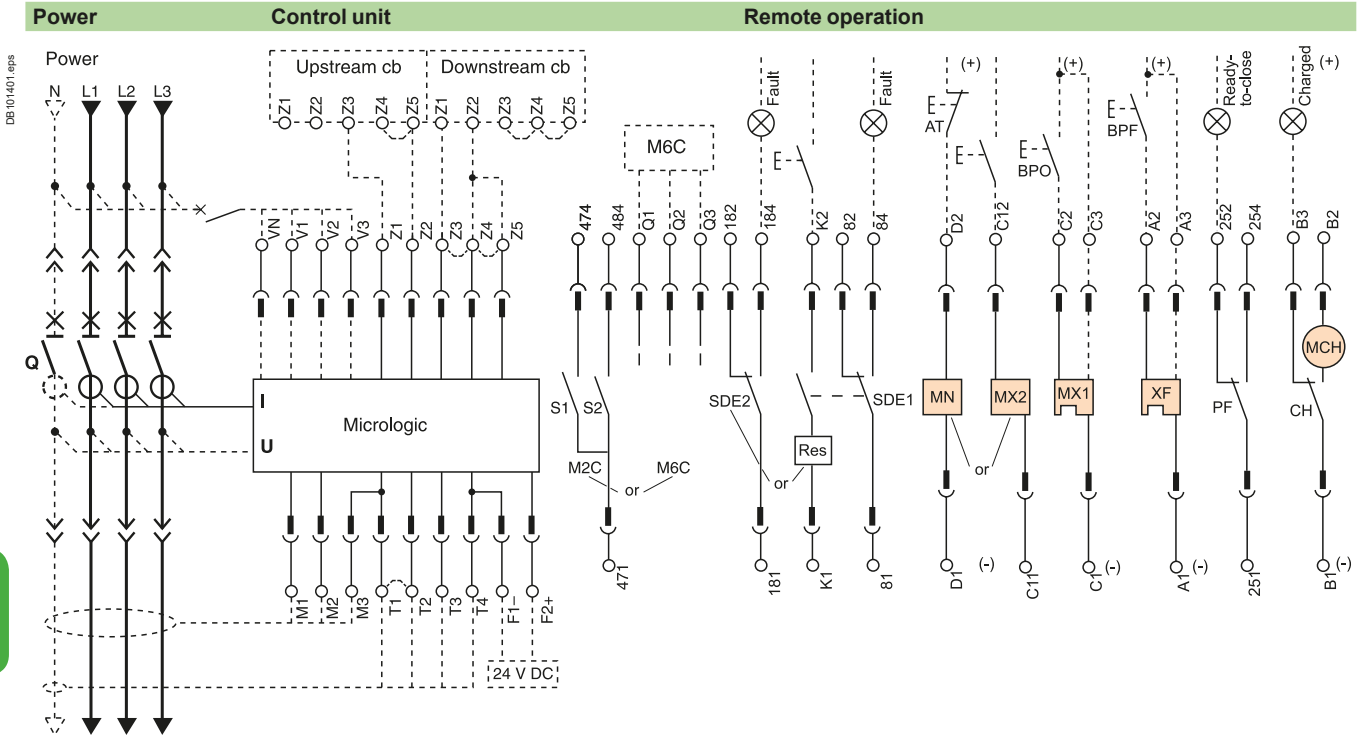
Key:

- drawout device only.
- SDE1, OF1, OF2, OF3, OF4 supplied as standard.
- interconnected connections (only one wire per connection point).

# Masterpact NW08 to NW63

## Fixed and drawout devices

The diagram is shown with circuits de-energised, all devices open, connected and charged and relays in normal position.



Terminal block marking	Control unit									
	Com	UC1	UC2	UC3	UC4	M2C / M6C				
E5 E6	Z5 M1	M2 M3	F2+	V3	484 / Q3					
E3 E4	Z3 Z4	T3 T4	VN	V2	474 / Q2					
E1 E2	Z1 Z2	T1 T2	F1-	V1	471 / Q1					

Remote operation									
SDE2 / Res	SDE1	MN / MX2	MX1	XF	PF	MCH			
184 / K2	84	D2 / C12	C2	A2	254	B2			
182	82		C3	A3	252	B3			
181 / K1	81	D1 / C11	C1	A1	251	B1			

A	E	P	H	Control unit
■	■	■	■	<b>Com</b> : E1-E6 communication
■	■	■	■	<b>UC1</b> : Z1-Z5 zone selective interlocking Z1 = ZSI OUT SOURCE Z2 = ZSI OUT ; Z3 = ZSI IN SOURCE Z4 = ZSI IN ST (short time) Z5 = ZSI IN GF (earth fault) M1 = Vigi module input (Micrologic 7)
■	■	■	■	<b>UC2</b> : T1, T2, T3, T4 = external neutral M2, M3 = Vigi module input (Micrologic 7)
■	■	■	■	<b>UC3</b> : F2+, F1- external 24 V DC power supply VN external voltage connector (must be connected to the neutral with a 3P circuit breaker)
■	■	■	■	<b>UC4</b> : External Voltage Connector (PTE option)
■	■	■	■	<b>M2C</b> : 2 programmable contacts (internal relay) ext. 24 V DC power supply required
				or
			■	<b>M6C</b> : 6 programmable contacts (to be connected to the external module M6C) ext. 24 V DC power supply required

Remote operation									
<b>SDE2</b> : fault-trip indication contact									
or									
<b>Res</b> : remote reset									
<b>SDE1</b> : fault-trip indication contact (supplied as standard)									
<b>MN</b> : undervoltage release									
or									
<b>MX2</b> : shunt release									
<b>MX1</b> : shunt release (standard or communicating)									
<b>XF</b> : closing release (standard or communicating)									
<b>PF</b> : ready-to-close contact									
<b>MCH</b> : electric motor									

**Note**: when communicating MX or XF releases are used, the third wire (C3,A3) must be connected even if the communication module is not installed.

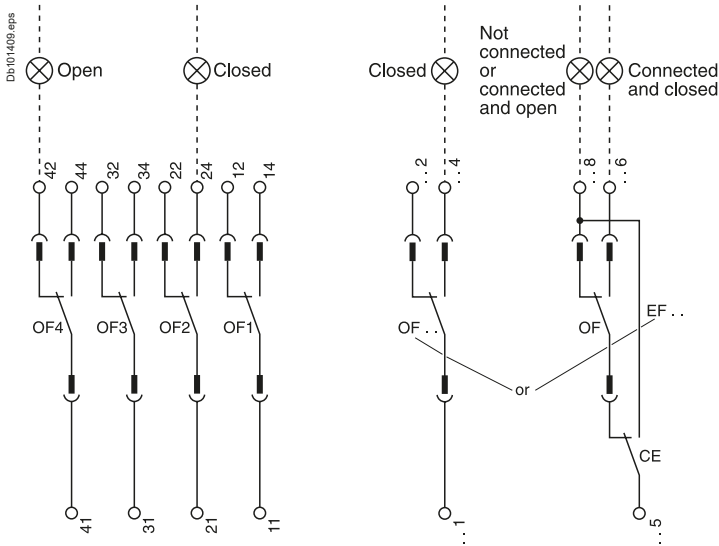
A : digital ammeter. P : A + power meter + additional protection.  
E : energy. H : P + harmonics.

(1) The PTE option with Micrologic E is not compatible with an external potential CT.

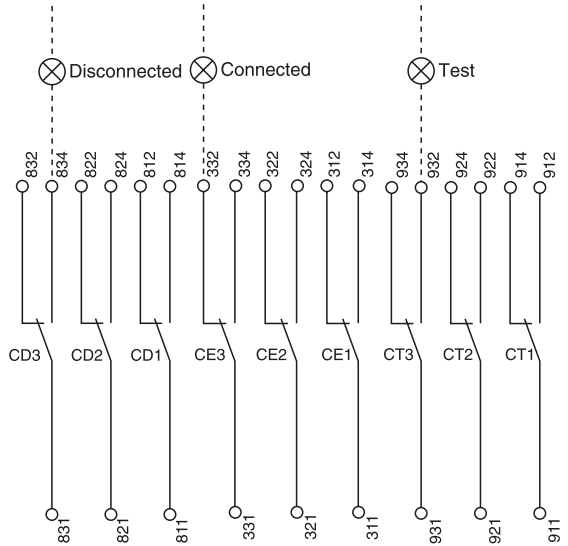
# Masterpact NW08 to NW63

## Fixed and drawout devices

### Indication contacts



### Chassis contacts



### Indication contacts

OF4	OF3	OF2	OF1	OF24	OF23	OF22	OF21	OF14	OF13	OF12	OF11
44	34	24	14	244	234	224	214	144	134	124	114
42	32	22	12	242	232	222	212	142	132	122	112
41	31	21	11	241	231	221	211	141	131	121	111
<b>or</b>				<b>EF24</b>	<b>EF23</b>	<b>EF22</b>	<b>EF21</b>	<b>EF14</b>	<b>EF13</b>	<b>EF12</b>	<b>EF11</b>
248	238	228	218	148	138	128	118				
246	236	226	216	146	136	126	116				
245	235	225	215	145	135	125	115				

### Chassis contacts

CD3	CD2	CD1	CE3	CE2	CE1	CT3	CT2	CT1
834	824	814	334	324	314	934	924	914
832	822	812	332	322	312	932	922	912
831	821	811	331	321	311	931	921	911
<b>or</b>			<b>CE6</b>	<b>CE5</b>	<b>CE4</b>	<b>or</b>		
364	354	344				394	384	374
362	352	342				392	382	372
361	351	341				391	381	371

### Indication contacts

<b>OF4 :</b>	ON/OFF indication contacts	<b>OF24 or EF24</b>	Combined "connected-deconnected" indication contacts
<b>OF3</b>		<b>OF23 or EF23</b>	
<b>OF2</b>		<b>OF22 or EF22</b>	
<b>OF1</b>		<b>OF21 or EF21</b>	
		<b>OF14 or EF14</b>	
		<b>OF13 or EF13</b>	
		<b>OF12 or EF12</b>	
		<b>OF11 or EF11</b>	

### Chassis contacts

<b>CD3</b>	disconnected position contacts	<b>CE3</b>	connected position contacts	<b>CT3</b>	test position contacts	
<b>CD2</b>		<b>CE2</b>		<b>CT2</b>		
<b>CD1</b>		<b>CE1</b>		<b>CT1</b>		
<b>or</b>			<b>or</b>			
<b>CE6</b>	connected position contacts	<b>CE9</b>	connected position contacts	<b>CE8</b>	connected position contacts	
<b>CE5</b>		<b>CE7</b>		<b>CE7</b>		
<b>CE4</b>		<b>or</b>			<b>CD6</b>	disconnected position contacts
				<b>CD5</b>	disconnected position contacts	
				<b>CD4</b>	disconnected position contacts	

Key:

drawout device only.

SDE1, OF1, OF2, OF3, OF4 supplied as standard.

interconnected connections (only one wire per connection point).



# Masterpact NT and NW

## Earth-fault and earth-leakage protection

### Neutral protection - Zone selective interlocking

#### External sensor (CT) for residual earth-fault protection

##### Connection of current-transformer secondary circuit for external neutral

Masterpact equipped with a Micrologic 6 A/E/P/H:

- shielded cable with 2 twisted pairs
- T1 twisted with T2
- maximum length 4 meters
- cable cross-sectional area 0.4 to 1.5 mm<sup>2</sup>
- recommended cable: Belden 9552 or equivalent.

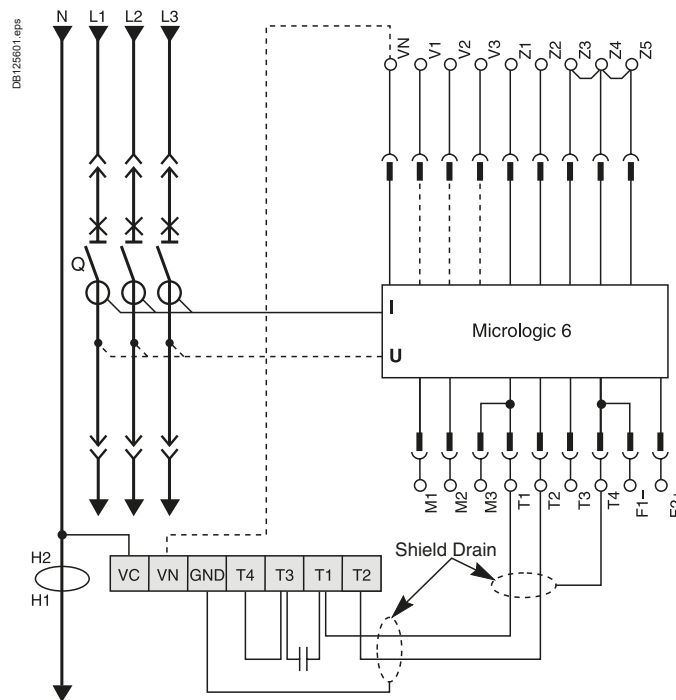
For proper wiring of neutral CT, refer to instruction Bulletin 48041-082-03 shipped with it.

Do not remove Micrologic factory-installed jumper between T1 and T2 unless neutral CT is connected. If supply is via the top, follow the schematics.

If supply is via the bottom, control wiring is identical; for the power wiring, H1 is connected to the source side, H2 to the load side.

For four-pole versions, for residual earth-fault protection, the current transformer for the external neutral is not necessary.

Connection for signal VN is required only for power measurements (3 Ø, 4 wires, 4CTs).

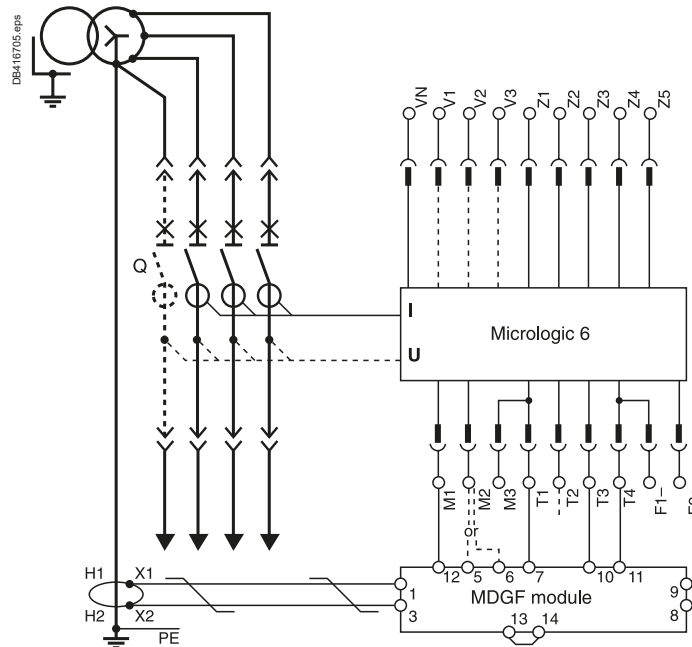


#### External transformer for source ground return (SGR) earth-fault protection

##### Connection of the secondary circuit

Masterpact equipped with a Micrologic 6 A/E/P/H:

- unshielded cable with 1 twisted pair
- maximum length 150 meters
- cable cross-sectional area 0.4 to 1.5 mm<sup>2</sup>
- terminals 5 and 6 may not be used at the same time
- use terminal 5 for NW08 to 40
- use terminal 6 for NW40b to 63
- recommended cable: Belden 9409 or equivalent.



D

# Masterpact NT and NW

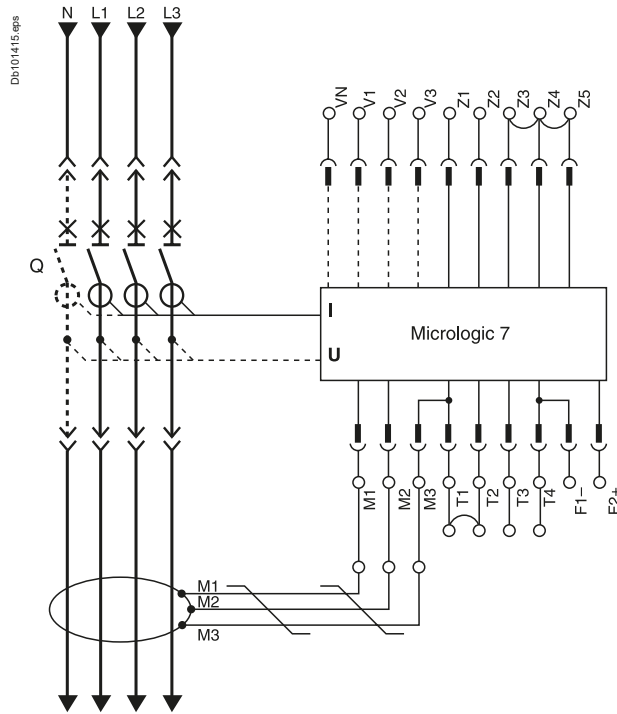
## Earth-fault and earth-leakage protection

### Neutral protection - Zone selective interlocking

#### Earth-leakage protection

##### Connection of the rectangular-sensor secondary circuit

Use the cable shipped with the rectangular sensor.



#### Neutral protection

- Three pole circuit breaker:
  - neutral protection is impossible with Micrologic A, E
  - Masterpact equipped with Micrologic P or H
  - the current transformer for external neutral is necessary (the wiring diagram is identical to the one used for the residual earth-fault protection)
- Four pole circuit breaker:
  - Masterpact equipped with Micrologic A, E, P or H
  - the current transformer for external neutral is not necessary.

#### Zone selective interlocking

Zone-selective interlocking is used to reduce the electrodynamic forces exerted on the installation by shortening the time required to clear faults, while maintaining time discrimination between the various devices.

A pilot wire interconnects a number of circuit breakers equipped with Micrologic A/E/P/H control units, as illustrated in the diagram above.

The control unit detecting a fault sends a signal upstream and checks for a signal arriving from downstream. If there is a signal from downstream, the circuit breaker remains closed for the full duration of its tripping delay. If there is no signal from downstream, the circuit breaker opens immediately, regardless of the tripping-delay setting.

##### Fault 1.

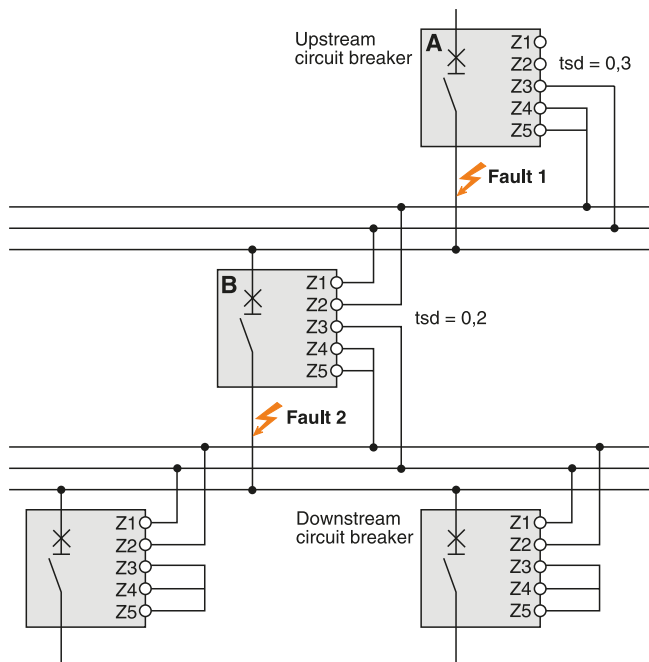
Only circuit breaker A detects the fault. Because it receives no signal from downstream, it opens immediately, regardless of its tripping delay set to 0.3.

##### Fault 2.

Circuit breakers A and B detect the fault. Circuit breaker A receives a signal from B and remains closed for the full duration of its tripping delay set to 0.3. Circuit breaker B does not receive a signal from downstream and opens immediately, in spite of its tripping delay set to 0.2.

##### Wiring

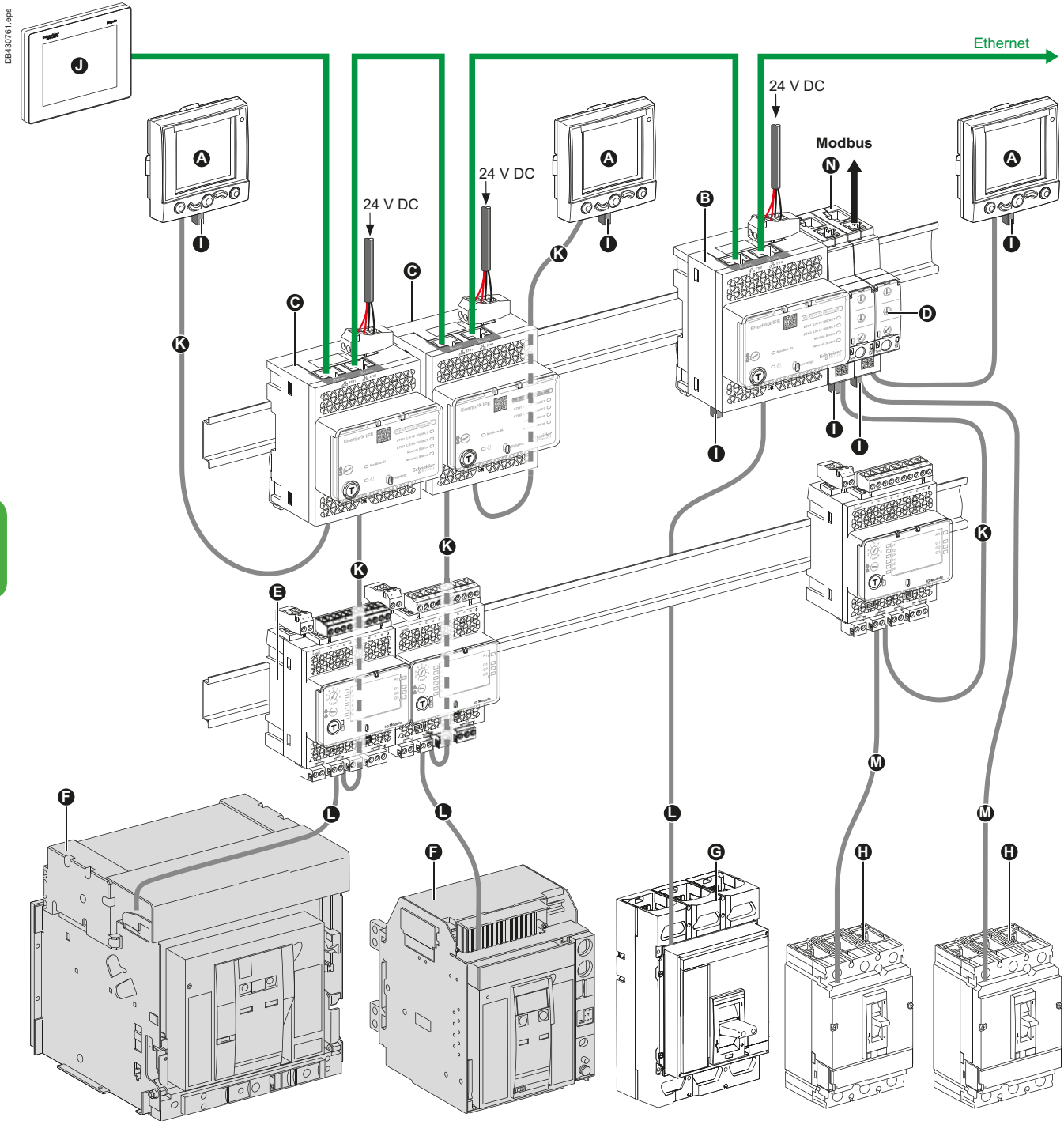
- Maximum impedance:  $2.7 \Omega / 300 \text{ m}$ .
- Capacity of connectors:  $0.4 \text{ to } 2.5 \text{ mm}^2$ .
- Wires: single or multicore.
- Maximum length: 3000 m.
- Limits to device interconnection:
  - the common ZSI - OUT (Z1) and the output ZSI - OUT (Z2) can be connected to a maximum of 10 upstream device
  - a maximum of 100 downstream devices may be connected to the common ZSI - IN (Z3) and to an input ZSI - IN CR (Z4) or GF (Z5).





# Masterpact NT and NW Communication

## Communication architecture



- A** FDM121 (TRV00121)
- B** IFE master (LV434002)
- C** IFE (LV434001)
- D** IFM (LV434000)
- E** I/O application module (LV434063)
- F** Masterpact NT/NW
- G** Compact NS630b-3200
- H** Compact NSX
- I** ULP termination (TRV00880)
- J** FDM128 (LV434128)
- N** Modbus Termination <sup>(1)</sup> (VW3A8306DRC)

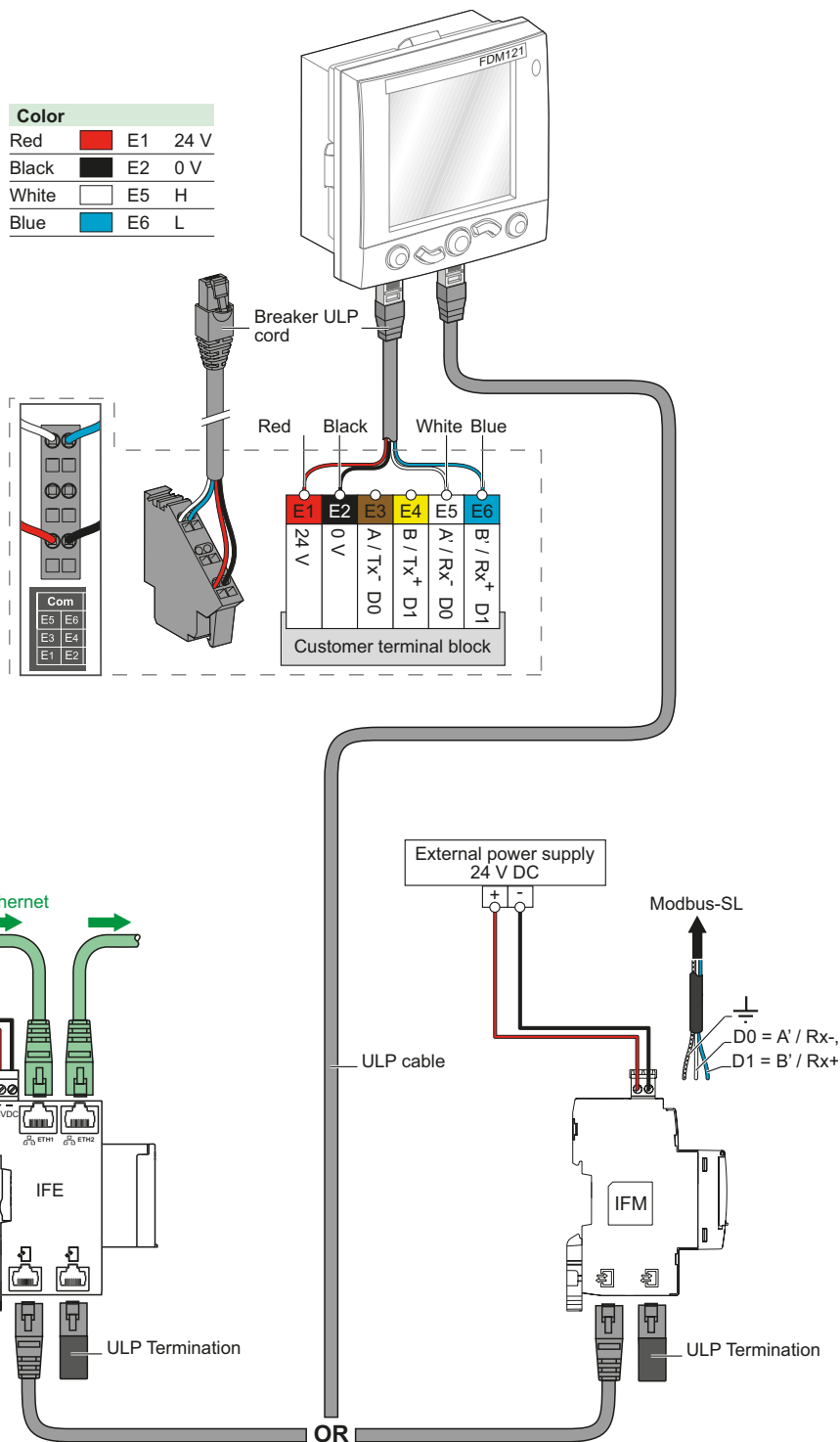
- K** ULP cable
- L** Breaker ULP cord
- M** NSX cord
- Ethernet
- Modbus

<sup>(1)</sup> Modbus termination is mandatory, see ULP system user guide TRV99101.

# Fixed, electrically operated Masterpact NT and NW

## Connection to the communication interface module

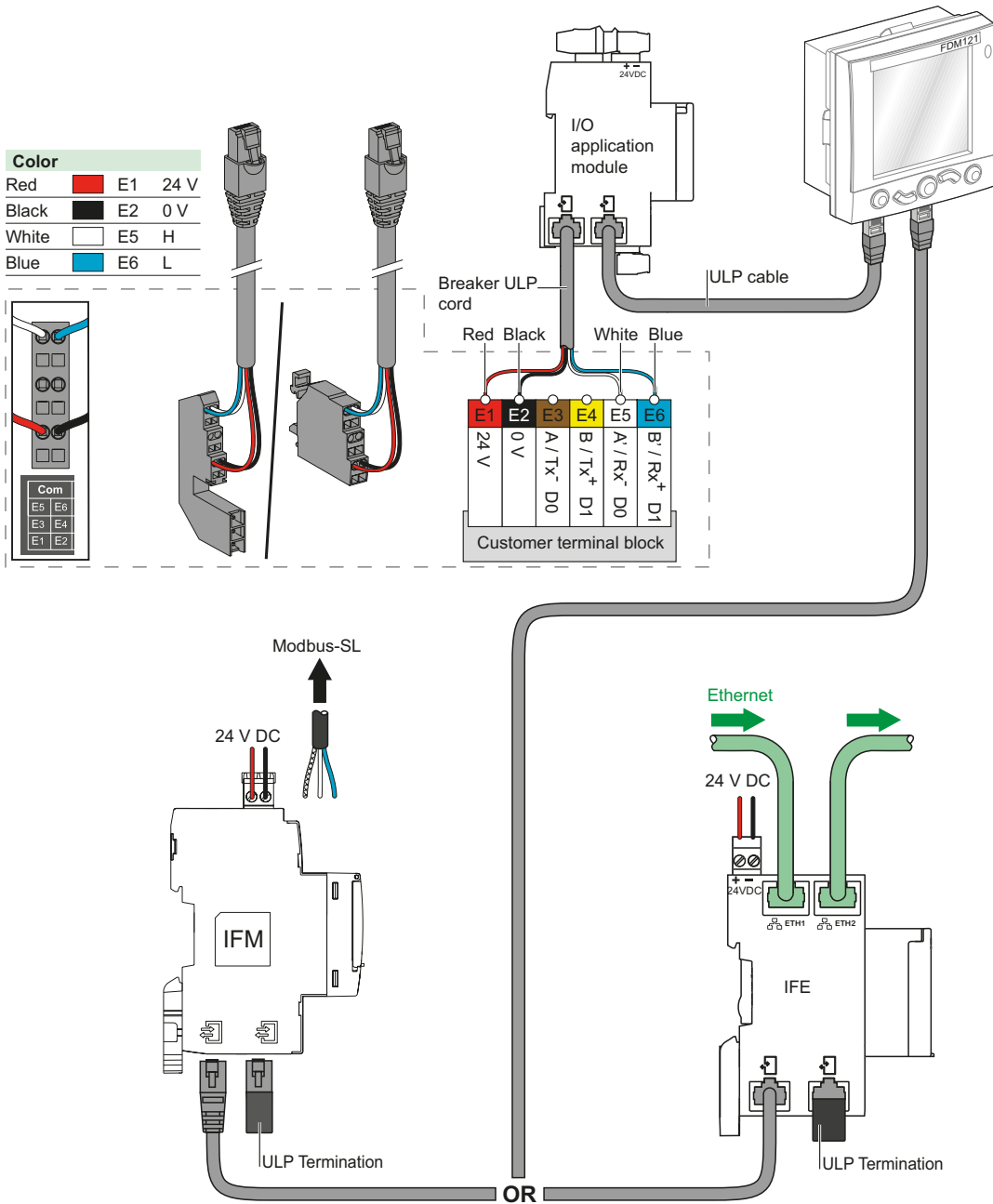
DB4630782\_0ps



# Withdrawable Masterpact NT and NW

## Connection to the I/O and communication interface module

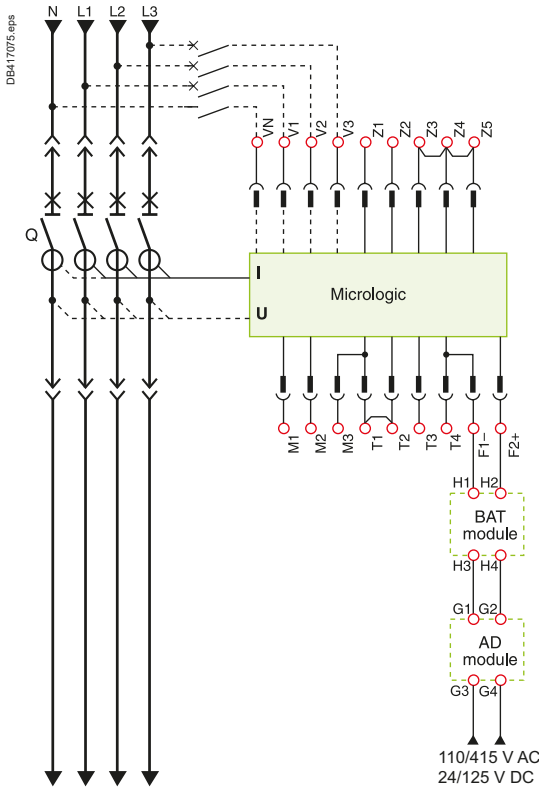
DB430783.eps



D

# Masterpact NT and NW

## 24 V DC external power supply AD module



- The 24 V DC external power-supply (AD module) for the Micrologic control unit (F1- F2+) is not required for basic protections LSIG.
- The 24 V DC external power-supply (AD module) for the programmable contact M2C/M6C is required.
- The 24 V DC external power-supply for the BCM ULP communication module (E1-E2) is required. The same 24 V DC external power supply can be used for the communication devices (IFE, IFM, I/O, FDM).
- If the 24 V DC external power supply (AD module) is used to supply Micrologic control unit, this power supply shall be used only for supplying Micrologic control units and M2C/M6C.
- The dedicated AD power supplies shall be used only for the Micrologic trip units. If the COM option is used, a second dedicated 24 V DC external power supply shall be used.
- With Micrologic A/E, it is recommended to connect 24 V DC external power-supply (AD module) to the Micrologic control unit (F1- F2+) in order to keep available the display and the energy metering, even if Current < 20 % In.

**Note:** in case of using the 24 V DC external power supply (AD module), maximum cable length between 24 V DC (G1, G2) and the control unit (F1-, F2+) must not exceed 10 meters.

The BAT battery module, mounted in series upstream of the AD module, ensures an uninterrupted supply of power if the AD module power supply fails.

The internal voltage taps are connected to the bottom side of the circuit breaker.

With Micrologic P/H, external voltage taps are possible using the PTE option.

With this option, the internal voltage taps are disconnected and the voltage taps are connected to terminals VN, V1, V2, V3.

The PTE option is required for voltages less than 220 V and greater than 690 V (in which case a voltage transformer is compulsory). For three-pole devices, the system is supplied with terminal VN connected only to the control unit (Micrologic P).

When the PTE option is implemented, the voltage measurement input must be protected against short-circuits. Installed as close as possible to the busbars, this protection function is ensured by a P25M circuit breaker (1 A rating) with an auxiliary contact (cat. no. 21104 and 21117).

This voltage measurement input is reserved exclusively for the control unit and must not ever be used to supply other circuits outside the switchboard.



### Connection

The maximum length for each conductor supplying power to the trip unit or M6C module is 10 m.

**Do not ground F2+, F1-, or power supply output:**

- the positive terminal (F2+) on the trip unit must not be connected to earth ground
- the negative terminal (F1-) on the trip unit must not be connected to earth ground
- the output terminals (- and +) of the 24 V DC power supply must not be grounded.

**Reduce electromagnetic interference:**

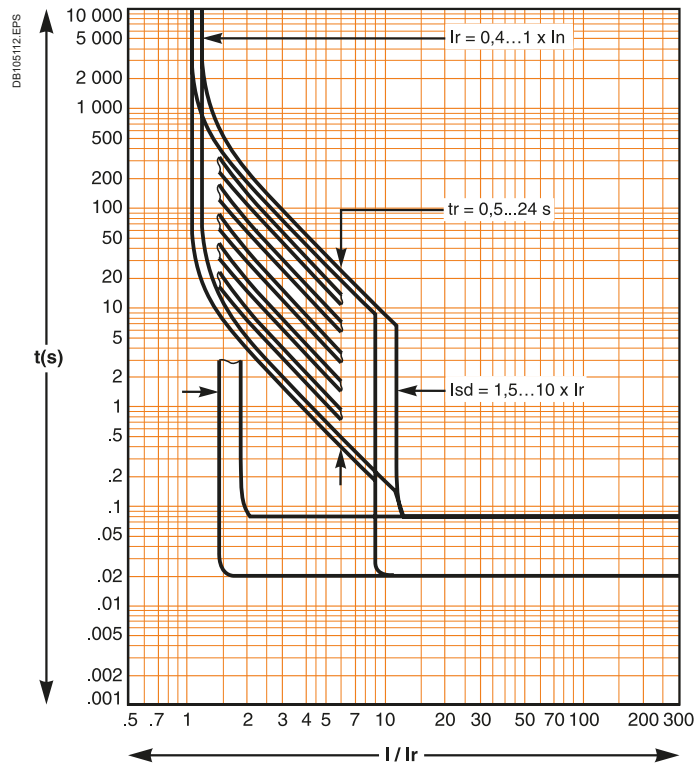
- the input and output wires of the 24 V DC power supply must be physically separated as much as possible
- the 24 V DC wires (output of the 24 V DC power supply) shall be twisted together.
- the 24 V DC wires (output of the 24 V DC power supply) must cross all power cables perpendicularly
- power supply conductors must be cut to length. Do not loop excess conductor.

# Additional characteristics

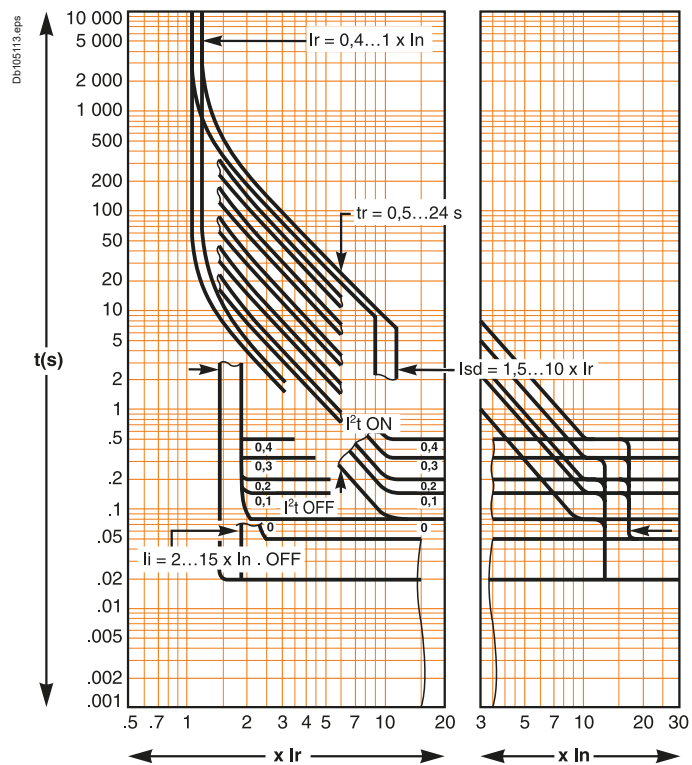
<i>Presentation</i>	2
<i>Functions and characteristics</i>	A-1
<i>Installation recommendations</i>	B-1
<i>Dimensions and connections</i>	C-1
<i>Electrical diagrams</i>	D-1
<b>Tripping curves</b>	<b>E-2</b>
<hr/>	
<b>Limitation curves</b>	
Current limiting	E-4
Energy limiting	E-5
<i>Catalogue numbers and order form</i>	F-1



Micrologic 2.0

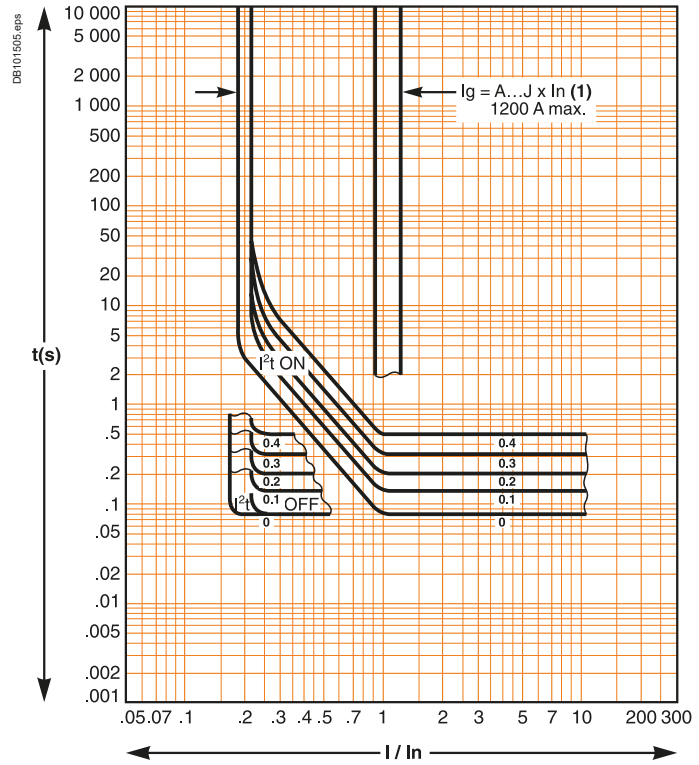


Micrologic 5.0, 6.0, 7.0



E

Earth fault protection (Micrologic 6.0)

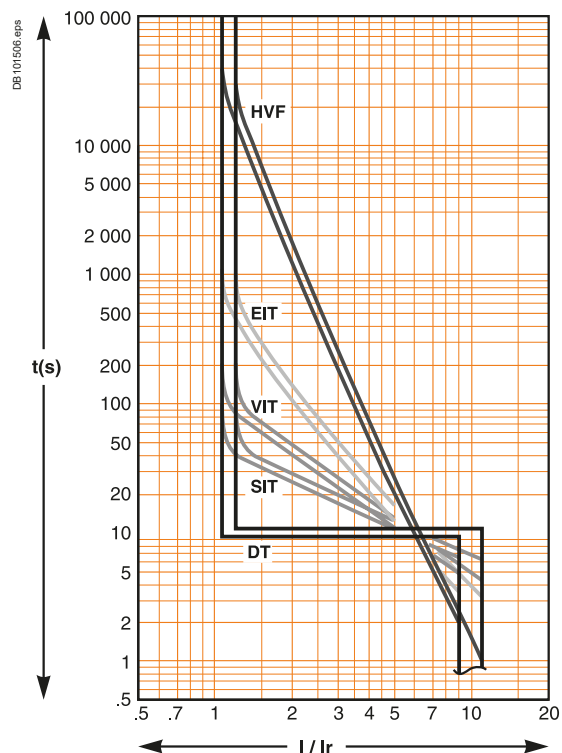


(1)

$I_g = I_n \times \dots$	A	B	C	D	E	F	G	H	I
$I_n < 400 \text{ A}$	0.3	0.3	0.4	0.5	0.6	0.7	0.8	0.9	1
$400 \text{ A} \leq I_n \leq 1200 \text{ A}$	0.2	0.3	0.4	0.5	0.6	0.7	0.8	0.9	1
$I_n > 1200 \text{ A}$	500	640	720	800	880	960	1040	1120	1200



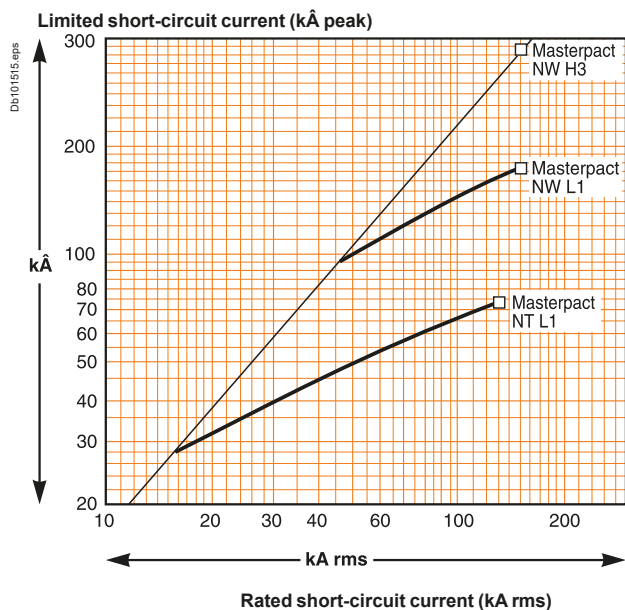
IDMTL curve (Micrologic P and H)



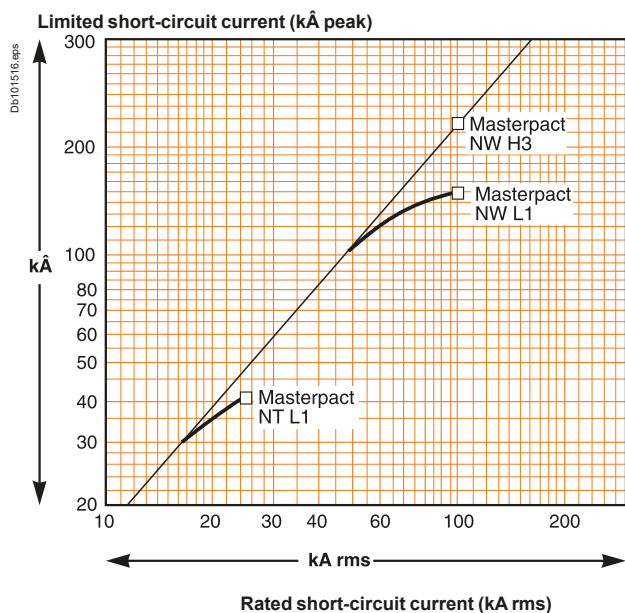
# Limitation curves

## Current limiting

### Voltage 380/415/440 V AC



### Voltage 660/690 V AC



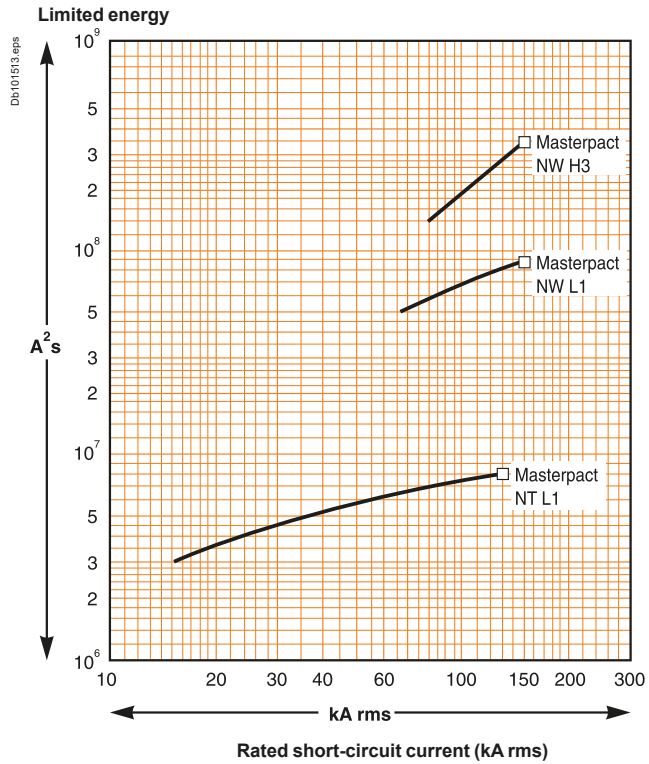
E



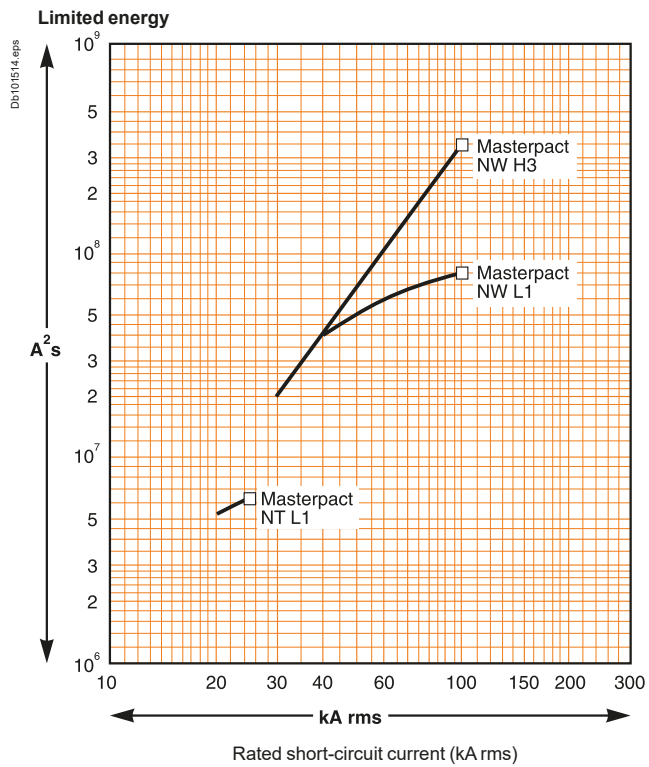
# Limitation curves

## Energy limiting

### Voltage 380/415/440 V AC



### Voltage 660/690 V AC



E

# Catalogue numbers and order form

<i>Presentation</i>	2
<i>Functions and characteristics</i>	A-1
<i>Dimensions and connections</i>	C-1
<i>Installation recommendations</i>	B-1
<i>Electrical diagrams</i>	D-1
<i>Additional characteristics</i>	E-1
<b>NT06 to NT16 fixed circuit breakers</b>	
Circuit breakers	F-3
Connections	F-4
Indication contacts	F-5
Remote operation	F-6
<b>NT06 to NT16 drawout circuit breakers</b>	
Circuit breakers	F-7
Connections	F-8
Chassis locking and accessories	F-9
Indication contacts	F-10
Remote operation	F-11
<b>Accessories for NT06 to NT16 fixed or drawout circuit breakers</b>	
	<b>F-12</b>
<b>NT06 to NT16 fixed switch-disconnectors</b>	
Switch-disconnectors	F-14
Connections	F-15
<b>NT06 to NT16 drawout switch-disconnectors</b>	
Switch-disconnectors	F-16
Connections	F-17
<b>NW08 to NW63 fixed circuit breakers</b>	
Circuit breakers	F-18
Connections	F-19
Indication contacts	F-20
Remote operation	F-21
<b>NW08 to NW63 drawout circuit breakers</b>	
Circuit breakers	F-22
Chassis and connections	F-23
Chassis locking and accessories	F-24
Indication contacts	F-26
Remote operation	F-27
<b>Accessories for NW08 to NW63 fixed and drawout circuit breakers</b>	
	<b>F-28</b>
<b>NW08 to NW63 fixed switch-disconnectors</b>	
Switch-disconnectors	F-30
Connections	F-31
<b>NW08 to NW63 drawout switch-disconnectors</b>	
Switch-disconnectors	F-32
Connections	F-33
<b>NW08 to NW63 circuit breakers with neutral on the right</b>	
Circuit breakers	F-34
<b>NW08 to NW40</b>	
Earthing switch	F-35

# Catalogue numbers and order form

## NW08 to NW40 1000 V AC

Drawout circuit breakers and switch-disconnectors	F-36
Chassis and connections	F-37

## NW08 to NW40 with corrosion protection

Circuit breakers	F-38
------------------	------

## Retrofit solutions (\*)

Connections for fixed devices	F-39
Connections for drawout devices	F-40

## Masterpact NT

Connection	F-41
Micrologic control unit, communication option, accessories	F-42
Remote operation	F-43
Chassis locking and accessories	F-44
Clusters	F-45
Circuit breaker locking and accessories	F-46
Mechanical interlocking for source changeover	F-47
Indication contacts	F-48
Instructions	F-49

## Communication, monitoring and control, for NT/NW F-50

## Masterpact NW

Connection	F-51
Micrologic control unit, communication option, accessories	F-52
Remote operation	F-53
Chassis locking and accessories	F-54
Clusters	F-55
Circuit breaker locking and accessories	F-56
Mechanical interlocking for source changeover	F-57
Indication contacts	F-58
Instructions	F-59

## Communication, monitoring and control F-60

## Masterpact NT and NW F-61

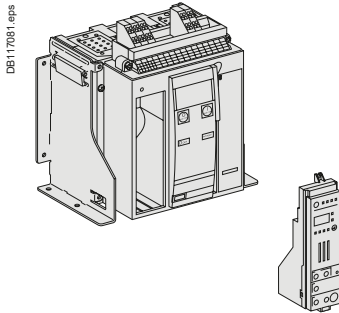
# NT06 to NT16 fixed circuit breakers

## Circuit breakers

A Masterpact fixed circuit breaker is described by 4 catalogue numbers corresponding to:

- the basic circuit breaker
- a control unit
- a top connection
- a bottom connection.

A communication option and various auxiliaries and accessories may also be added.



### Basic circuit breaker

#### Type H1

		3P	4P	
In (A at 40 °C) Icu (kA for U = 220/440 V) - Ics = 100 % Icu				
NT02	250	42	47111	47118
NT06	630	42	47110	47115
NT08	800	42	47120	47125
NT10	1000	42	47130	47135
NT12	1250	42	47140	47145
NT16	1600	42	47150	47155

#### Type H2

		3P	4P	
In (A at 40 °C) Icu (kA for U = 220/440 V) - Ics = 100 % Icu				
NT06	630	50	47113	47119
NT08	800	50	47123	47128
NT10	1000	50	47131	47138
NT12	1250	50	47141	47147
NT16	1600	50	47151	47157

#### Type L1

		3P	4P	
In (A at 40 °C) Icu (kA for U = 220/440 V) - Ics = 100 % Icu				
NT06	630	150	47112	47117
NT08	800	150	47122	47127
NT10	1000	150	47132	47137

### Micrologic control unit

#### “ammeter” A

		3P/4P
Micrologic 2.0 A	basic protection	47282
Micrologic 5.0 A	selective protection	47285
Micrologic 6.0 A	selective + earth-fault protection	47286
Micrologic 7.0 A	selective + earth-leakage protection	47287

#### “energy” E

		3P/4P
Micrologic 2.0 E	basic protection	47280
Micrologic 5.0 E	selective protection	47283
Micrologic 6.0 E	selective + earth-fault protection	47288

#### “power meter” P

		3P/4P
Micrologic 5.0 P	selective protection	47289
Micrologic 6.0 P	selective + earth-fault protection	47290
Micrologic 7.0 P	selective + earth-leakage protection	47291

#### “harmonic meter” H

		3P/4P
Micrologic 5.0 H	selective protection	47293
Micrologic 6.0 H	selective + earth-fault protection	47294
Micrologic 7.0 H	selective + earth-leakage protection	47295

### Communication option

COM (BCM-ULP)		47405
Eco COM module (BCM-ULP)		47407
IFE	Ethernet interface for LV breaker	LV434001
	Ethernet interface for LV breakers and gateway	LV434002
IFM Modbus-SL interface module		LV434000
I/O application module		LV434063

### Brand option

Square D brand	Label	47802
----------------	-------	-------

Auxiliaries and accessories:

- for fixed devices: see [page F-5](#)
  - for fixed or drawout devices: see [page F-12](#).
- Switch-disconnector version: see [page F-14](#).  
 Source changeover assembly: see [page F-12](#).



# NT06 to NT16 fixed circuit breakers


## Connections

### Front connection

DB117100.eps 	250/630-1600 A	Top	3P 47328	4P 47330
		Bottom	47329	47331

### Front connection accessories

#### Vertical connection adapters 250/630-1600 A

DB117060.eps 	3P (3 parts)	33642
	4P (4 parts)	33643

#### Interphase barriers

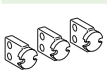
DB117109.eps 	3P/4P top (3 parts)	33646
	3P/4P bottom (3 parts)	33646

#### Arc chute screen

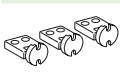
DB117060.eps 	3P	47335
	4P	47336

### Rear connection

#### Vertical connection


DB117077.eps 	250/630-1600 A	Top	3P 33604	4P 33614
		Bottom	33605	33615

#### Horizontal connection

DB117076.eps 	250/630-1600 A	Top	3P 33606	4P 33616
		Bottom	33607	33617

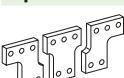
### Rear connection accessories

#### Interphase barriers

DB117109.eps 	3P/4P top (3 parts)	33648
	3P/4P bottom (3 parts)	33648

### Common accessories for front and rear connections


#### Spreaders

DB117075.eps 	250/630-1600 A	3P	33622
		4P	33623
For front and horizontal rear connection			

#### Cable lug adapters 250/630-1600 A

DB117079.eps 	3P (3 parts)	33644
	4P (4 parts)	33645

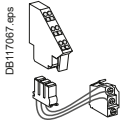
#### Cable lug kits

DB117064.eps 	240 mm <sup>2</sup>	3P (6 lug kit)	33013
		4P (8 lug kit)	33014
	300 mm <sup>2</sup>	3P (6 lug kit)	33015
		4P (8 lug kit)	33016

# NT06 to NT16 fixed circuit breakers

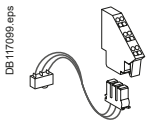
## Indication contacts

### ON/OFF indication contacts (OF)



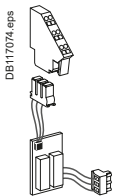
Changeover contacts (6 A - 240 V)	4 (standard)
1 low-level OF to replace 1 standard OF (4 max.)	<b>47339</b>

### "Fault trip" indication contacts (SDE)



Changeover contact (6 A - 240 V)	1 (standard)
1 additional SDE (6 A - 240 V)	<b>47340</b>
1 additional low-level SDE	<b>47341</b>

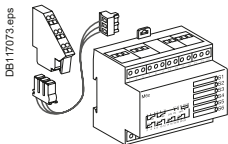
### Programmable contacts (\*) (programmed via Micrologic control unit)



2 contacts (M2C) (5 A - 240 V)	<b>47403</b>
6 changeover contacts (M6C) (5 A - 240 V)	<b>47404</b>

(\*) for Micrologic control units P and H only.

M2C



M6C

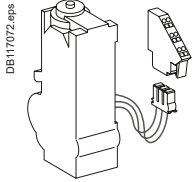


# NT06 to NT16 fixed circuit breakers

## Remote operation

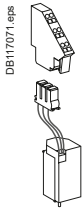
### Remote ON/OFF

#### Gear motor



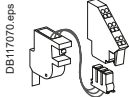
		MCH
AC 50/60 Hz	48 V	47391
	100/130 V	47395
	200/240 V	47396
	277/415 V	47398
	440/480 V	47400
DC	24/30 V	47390
	48/60 V	47391
	100/130 V	47392
	200/250 V	47393

#### Instantaneous voltage releases



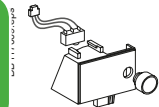
		Closing release	Opening release	
<b>Standard</b>	AC 50/60 Hz	XF	MX	
		47349	47359	
	DC	12 V DC	47350	47360
		24/30 V DC, 24 V AC	47351	47361
		48/60 V DC, 48 V AC	47352	47362
		100/130 V AC/DC	47353	47363
		200/250 V AC/DC	47354	47364
		277 V AC	47355	47365
		380/480 V AC	XF com	MX com
		47310	47320	
<b>Communicating</b>	AC 50/60 Hz	47311	47321	
		47312	47322	
	DC	12 V DC	47313	47323
		24/30 V DC, 24 V AC	47314	47324
		48/60 V DC, 48 V AC	47315	47325
		100/130 V AC/DC	47316	47326
		200/250 V AC/DC		
		277 V AC		
		380/480 V AC		

#### “Ready to close” contact (1 max.)



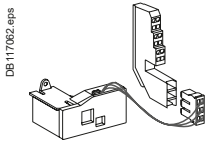
	PF
1 changeover contact (5 A - 240 V)	47342
1 low-level changeover contact	47343

#### Electrical closing pushbutton



	BPFE
1 pushbutton	47512

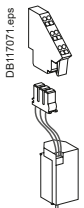
#### Remote reset after fault trip



	RES	RAR
<b>Electrical reset</b>	110/130 V AC	47344
	220/240 V AC	47345
<b>Automatic reset</b>	RAR	47346
Adaptation		

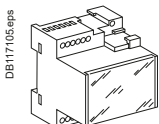
### Remote tripping

#### Instantaneous voltage release



		2 <sup>nd</sup> MX	or	MN
AC 50/60 Hz	12 V DC	47369		
	24/30 V DC, 24 V AC	47370		47380
DC	48/60 V DC, 48 V AC	47371		47381
	100/130 V AC/DC	47372		47382
	200/250 V AC/DC	47373		47383
	277 V AC	47374		
	380/480 V AC	47375		47385

#### MN delay unit



		R (non-adjustable)	Rr (adjustable)
AC 50/60 Hz	48/60 V AC/DC		33680
	100/130 V AC/DC	33684	33681
DC	200/250 V AC/DC	33685	33682
	380/480 V AC/DC		33683



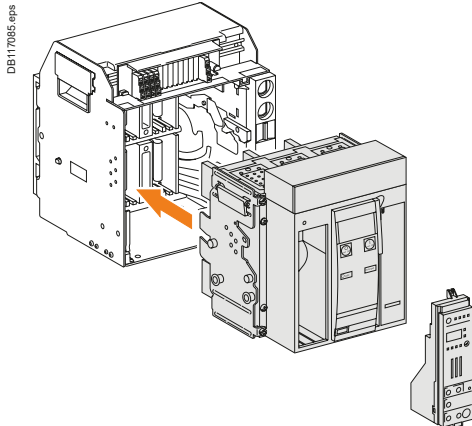
# NT06 to NT16 drawout circuit breakers

## Circuit breakers

A Masterpact drawout circuit breaker is described by 5 catalogue numbers corresponding to:

- the basic circuit breaker
- a control unit
- a chassis
- a top connection
- a bottom connection.

A communication option and various auxiliaries and accessories may also be added.



### Basic circuit breaker

#### Type H1

		3P	4P	
In (A at 40 °C) Icu (kA for U = 220/440 V) - Ics = 100 % Icu				
NT02	250	42	47201	47208
NT06	630	42	47200	47205
NT08	800	42	47210	47215
NT10	1000	42	47220	47225
NT12	1250	42	47230	47235
NT16	1600	42	47240	47245

#### Type H2

		3P	4P	
In (A at 40 °C) Icu (kA for U = 220/440 V) - Ics = 100 % Icu				
NT06	630	50	47203	47209
NT08	800	50	47211	47218
NT10	1000	50	47221	47228
NT12	1250	50	47231	47237
NT16	1600	50	47241	47247

#### Type L1

		3P	4P	
In (A at 40 °C) Icu (kA for U = 220/415 V) - Ics = 100 % Icu				
NT06	630	150	47202	47207
NT08	800	150	47212	47217
NT10	1000	150	47222	47227

### Micrologic control unit

#### “ammeter” A

		3P/4P
Micrologic 2.0 A	basic protection	65304
Micrologic 5.0 A	selective protection	65305
Micrologic 6.0 A	selective + earth-fault protection	65306
Micrologic 7.0 A	selective + earth-leakage protection	65307

#### “energy” E

		3P/4P
Micrologic 2.0 E	basic protection	47281
Micrologic 5.0 E	selective protection	47284
Micrologic 6.0 E	selective + earth-fault protection	47292

#### “power meter” P

		3P/4P
Micrologic 5.0 P	selective protection	47297
Micrologic 6.0 P	selective + earth-fault protection	47298
Micrologic 7.0 P	selective + earth-leakage protection	47299

#### “harmonic meter” H

		3P/4P
Micrologic 5.0 H	selective protection	47301
Micrologic 6.0 H	selective + earth-fault protection	47302
Micrologic 7.0 H	selective + earth-leakage protection	47303

### Chassis

#### For type H1 - H2

		3P	4P
250/630-1000 A		33722	33725
1600 A		33723	33726

#### For type L1

		3P	4P
630-1000 A		33723	33726

### Communication option

		Chassis (I/O application module) +	Circuit breaker (BCM-ULP)
COM (BCM-ULP)		33852	47485
Eco COM module (BCM-ULP)			33843
IFE	Ethernet interface for LV breaker	LV434001	
	Ethernet interface for LV breakers and gateway	LV434002	
IFM Modbus-SL interface module		LV434000	
I/O application module		LV434063	

### Brand option

		Label
Square D brand		47802

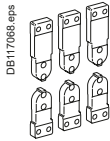
Auxiliaries and accessories:

- for drawout devices: see [page F-9](#)
  - for fixed or drawout devices: see [page F-12](#).
- Switch-disconnector version: see [page F-14](#).  
 Source changeover assembly: see [page F-12](#).

# NT06 to NT16 drawout circuit breakers

## Connections

### Chassis front connection

	250/630-1600 A		<b>3P</b>	<b>4P</b>
		Top	<b>33727</b>	<b>33733</b>
		Bottom	<b>33728</b>	<b>33734</b>

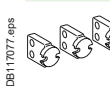
### Front connection accessories

#### Vertical connection adapters 250/630-1600 A

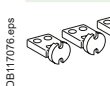
	3P (3 parts)	<b>33642</b>
	4P (4 parts)	<b>33643</b>

### Chassis rear connection

#### Vertical connection

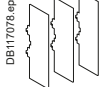
	250/630-1600 A		<b>3P</b>	<b>4P</b>
		Top	<b>33729</b>	<b>33735</b>
		Bottom	<b>33730</b>	<b>33736</b>

#### Horizontal connection

	250/630-1600 A		<b>3P</b>	<b>4P</b>
		Top	<b>33731</b>	<b>33737</b>
		Bottom	<b>33732</b>	<b>33738</b>

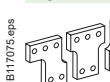
### Rear connection accessories

#### Interphase barriers

	3P/4P (3 parts)	<b>33768</b>

### Common accessories for front and rear connection


#### Spreaders

	250/630-1600 A	3P	<b>33622</b>
		4P	<b>33623</b>
		For front and horizontal rear connection.	

#### Cable lug adapters 250/630-1600 A

	3P (3 parts)	<b>33644</b>
	4P (4 parts)	<b>33645</b>

#### Cable lug kits

	240 mm <sup>2</sup>	3P (6 lug kit)	<b>33013</b>
		4P (8 lug kit)	<b>33014</b>
	300 mm <sup>2</sup>	3P (6 lug kit)	<b>33015</b>
		4P (8 lug kit)	<b>33016</b>

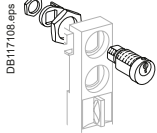
F

# NT06 to NT16 drawout circuit breakers

## Chassis locking and accessories

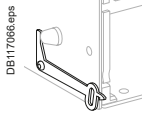
### Chassis locking

#### “Disconnected” position locking



By padlocks		
	VCPO	Standard
By Profalux keylocks		
Profalux	1 lock with 1 key + adaptation kit	33773
	2 locks 1 key + adaptation kit	33774
	2 locks 2 different keys + adaptation kit	33775
1 keylock Profalux (without adaptation kit):	identical key not identified combination	33173
	identical key identified 215470 combination	33174
	identical key identified 215471 combination	33175
By Ronis keylocks		
Ronis	1 lock with 1 key + adaptation kit	33776
	2 locks 1 key + adaptation kit	33777
	2 locks 2 different keys + adaptation kit	33778
1 keylock Ronis (without adaptation kit):	identical key not identified combination	33189
	identical key identified EL24135 combination	33190
	identical key identified EL24153 combination	33191
	identical key identified EL24315 combination	33192
Optional disconnected/test/connected position locking		33779
Adaptation kit (without keylock):	adaptation kit Profalux	33769
	adaptation kit Ronis	33770
	adaptation kit Castell	33771
	adaptation kit Kirk	33772

#### Door interlock (1 part)



Right-hand side of chassis (VPECD)	33786
Left-hand side of chassis (VPECG)	33787

#### Racking interlock



Racking interlock (VPOC)	33788
--------------------------	-------

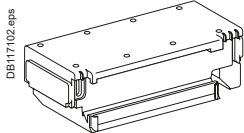
#### Breaker mismatch protection



Breaker mismatch protection (VDC)	33767
-----------------------------------	-------

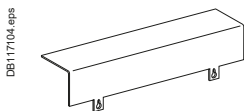
### Chassis accessories

#### Arc chute cover



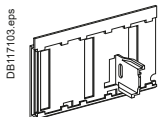
3P/4P	Standard
-------	----------

#### Auxiliary terminal shield (CB)



Terminal shield	3P	33763
	4P	33764

#### Safety shutters as standard



Safety shutters (VO)	3P	Standard
	4P	Standard

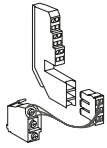


# NT06 to NT16 drawout circuit breakers

## Indication contacts

### ON/OFF indication contacts (OF)

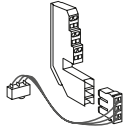
DB117063.eps



Changeover contacts (6 A - 240 V)	4 (standard)
1 low-level OF to replace 1 standard OF (4 max.)	<b>33806</b>

### “Fault trip” indication contacts (SDE)

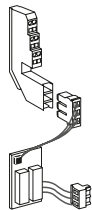
DB117068.eps



Changeover contact (6 A - 240 V)	1 (standard)
1 additional SDE (6 A - 240 V)	<b>47430</b>
1 additional low-level SDE	<b>47431</b>

### Programmable contacts (\*) (programmed via Micrologic control unit)

DB117107.eps

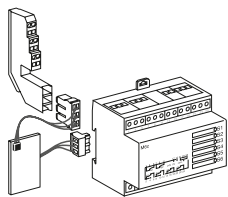


2 contacts M2C (5 A - 240 V)	<b>47483</b>
6 changeover contacts M6C (5 A - 240 V)	<b>47484</b>

(\*) for Micrologic control units P and H only.

M2C

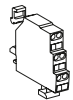
DB117106.eps



M6C

### Carriage switches (connected / disconnected / test position)

DB117061.eps



<b>Changeover contacts (6 A - 240 V)</b>	
1 connected position contact (3 max.)	<b>33751</b>
1 test position contact (1 max.)	<b>33752</b>
1 disconnected position contact (2 max.)	<b>33753</b>
<b>And/or low-level changeover contacts</b>	
1 connected position contact (3 max.)	<b>33754</b>
1 test position contact (1 max.)	<b>33755</b>
1 disconnected position contact (2 max.)	<b>33756</b>

### Auxiliary terminals for chassis alone

3 wire terminal (30 parts)	<b>47071</b>
6 wire terminal (10 parts)	<b>47072</b>
Jumpers (10 parts)	<b>47900</b>

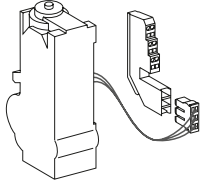
# NT06 to NT16 drawout circuit breakers

## Remote operation

### Remote ON/OFF

#### Gear motor

DB117006.eps



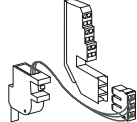
		MCH
AC 50/60 Hz	48 V	47461
	100/130 V	47465
	200/240 V	47466
	277/415 V	47468
	440/480 V	47470
DC	24/30 V	47460
	48/60 V	47461
	100/130 V	47462
	200/250 V	47463

#### Instantaneous voltage release

		Closing release	Opening release
<b>Standard</b>		<b>XF</b>	<b>MX</b>
AC 50/60 Hz	12 V DC	47439	33809
	24/30 V DC, 24 V AC	47440	33810
DC	48/60 V DC, 48 V AC	47441	33811
	100/130 V AC/DC	47442	33812
	200/250 V AC/DC	47443	33813
	277 V AC	47444	33814
	380/480 V AC	47445	33815
	<b>Communicating</b>		<b>XF com</b>
AC 50/60 Hz	12 V DC	47411	33791
	24/30 V DC, 24 V AC	47412	33792
DC	48/60 V DC, 48 V AC	47413	33793
	100/130 V AC/DC	47414	33794
	200/250 V AC/DC	47415	33795
	277 V AC	47416	33796
	380/480 V AC	47417	33797

#### “Ready to close” contact (1 max.)

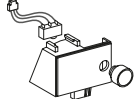
DB117059.eps



		PF
1 changeover contact (5 A - 240 V)		47432
1 low-level changeover contact		47433

#### Electrical closing pushbutton

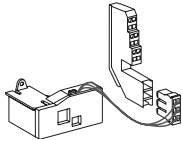
DB117068.eps



		BPFE
1 pushbutton		47512

#### Remote reset after fault trip

DB117002.eps

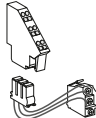


		RES
Electrical reset	110/130 V AC	47434
	220/240 V AC	47435
Automatic reset		RAR
Adaptation		47346

### Remote tripping

#### Instantaneous voltage release

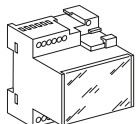
DB117067.eps



		2 <sup>nd</sup> MX	or	MN
AC 50/60 Hz	12 V DC	47449		
	24/30 V DC, 24 V AC	47450		33819
DC	48/60 V DC, 48 V AC	47451		33820
	100/130 V AC/DC	47452		33821
	200/250 V AC/DC	47453		33822
	277 V AC	47454		
	380/480 V AC	47455		33824

#### MN delay unit

DB117105.eps



		R (non-adjustable)	Rr (adjustable)
AC 50/60 Hz	48/60 V AC/DC		33680
	100/130 V AC/DC	33684	33681
DC	200/250 V AC/DC	33685	33682
	380/480 V AC/DC		33683

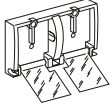


# Accessories for NT06 to NT16 fixed or drawout circuit breakers

## Circuit breaker locking

### Pushbutton locking device

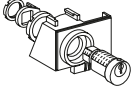
DB117058.eps



By padlocks	33897
-------------	-------

### OFF position locking

DB117101.eps



<b>By padlocks + BPFE support</b>		
VCPO	47514	
<b>By Profalux keylocks</b>		
Profalux	1 lock with 1 key + adaptation kit	47519
	2 locks 1 key + adaptation kit	47520
1 keylock Profalux (without adaptation kit):	identical key not identified combination	33173
	identical key identified 215470 combination	33174
	identical key identified 215471 combination	33175
<b>By Ronis keylocks + BPFE support</b>		
Ronis	1 lock with 1 key + adaptation kit	47521
	2 locks 1 key + adaptation kit	47522
1 keylock Ronis (without adaptation kit):	identical key not identified combination	33189
	identical key identified EL24135 combination	33190
	identical key identified EL24153 combination	33191
	identical key identified EL24315 combination	33192
Adaptation kit (without keylock):	adaptation kit Profalux	47515
	adaptation kit Ronis	47516
	adaptation kit Kirk	47517
	adaptation kit Castell	47518

### Cable-type door interlock

DB117091.eps



1 complete assembly for Masterpact NT fixed devices	33920
1 complete assembly for Masterpact NT drawout devices	33921

### Mechanical interlocking for source changeover

#### Interlocking using connecting rods

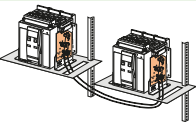
DB117055.eps



Complete assembly with 2 adaptation fixtures + rods	
2 Masterpact NT fixed devices	33912
2 Masterpact NT drawout devices	33913

#### Interlocking using cables (\*)

DB418840.eps



Choose 2 adaptation fixtures (1 for each breaker) + 1 set of cables	
1 adaptation fixture for Masterpact NT fixed devices	33200
1 adaptation fixture for Masterpact NT drawout devices	33201
1 set of 2 cables	33209

(\*) Can be used with any combination of NT or NW, fixed or drawout devices.

### Other circuit breaker accessories

#### Mechanical operation counter

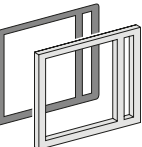
DB117057.eps



Operation counter CDM	33895
-----------------------	-------

#### Escutcheon and accessories

DB117056.eps



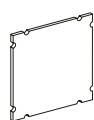
Escutcheon

DB117055.eps



Cover

DB117053.eps



Blanking plate

	Fixed	Drawout
Escutcheon	33718	
Transparent cover (IP54)		33859
Escutcheon blanking plate		33858

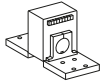
# Accessories for NT06 to NT16 fixed or drawout circuit breakers

## Accessories for Micrologic control units

### External sensors

#### External sensor for earth-leakage protection (TCE)

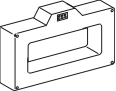
DB117054.eps



Sensor rating 400/1600 A (for Micrologic P and H with 3P devices) **33576**

#### Rectangular sensor for earth-leakage protection

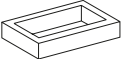
DB126100.eps



280 mm x 115 mm / L1 **56053**

#### Source ground return (SGR) earth fault protection

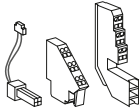
DB117089.eps



External sensor (SGR) **33579**  
MDGF summing module **48891**

#### Voltage measurement input (for breakers supplied via bottom terminals)

DB117088.eps



Voltage measurement input Fixed **47506**  
Drawout **47507**

#### Long-time rating plug (limits setting range for higher accuracy)

DB117087.eps



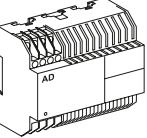
Standard 0.4 to 1 x Ir **33542**  
Low-setting option 0.4 to 0.8 x Ir **33543**  
High-setting option 0.8 to 1 x Ir **33544**  
Without long-time protection off **33545**

#### Zone Selective Interlocking option for Micrologic P and H

ZSI **Standard**

#### External power supply module (AD)

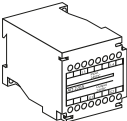
DB117082.eps



24/30 V DC **54440**  
48/60 V DC **54441**  
100/125 V DC **54442**  
110/130 V AC **54443**  
200/240 V AC **54444**  
380/415 V AC **54445**

#### Battery module (BAT)

DB117096.eps



1 battery 24 V **54446**

## Test equipment

### Mini test kit

DB117092.eps



Hand held test kit (HHTK) **33594**

### Portable test kit

DB117090.eps



Full function test kit (FFTK) **33595**  
Test report edition come from FFTK **34559**  
FFTK test cable 2 pin for STR trip unit **34560**  
FFTK test cable 7 pin for Micrologic trip unit **33590**

## Special settings

Sensor rating

To be specified when ordering

Rating	NT02	NT06	NT08	NT10	NT12	NT16
250	■					
400		■	■	■		
630			■			
800				■	■	■
1000					■	■
1250						■
1600						■



# NT06 to NT16 fixed switch-disconnectors

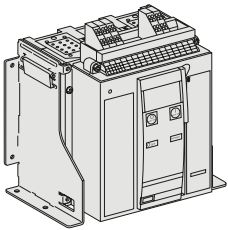
## Switch-disconnectors

A Masterpact fixed switch-disconnector is described by 3 catalogue numbers corresponding to:

- the basic switch-disconnector
- a top connection
- a bottom connection.

A communication option and various auxiliaries and accessories may also be added.

DB117086.eps



### Basic switch-disconnector

Type HA			3P	4P
			In (A at 40 °C) Icm (kA peak for U = 220/690 V)	
NT06	630	60	<b>47159</b>	<b>47160</b>
NT08	800	60	<b>47161</b>	<b>47162</b>
NT10	1000	60	<b>47163</b>	<b>47164</b>
NT12	1250	60	<b>47165</b>	<b>47166</b>
NT16	1600	60	<b>47167</b>	<b>47168</b>

### Communication option

Modbus COM	<b>47405</b>
------------	--------------

### Brand option

Square D brand	Label	<b>47802</b>
----------------	-------	--------------

Auxiliaries and accessories:

- for fixed devices: see [page F-5](#)
  - for fixed or drawout devices: see [page F-12](#).
- Source changeover assembly: see [page F-12](#).



# NT06 to NT16 fixed switch-disconnectors

## Connections

### Front connection

	250/630-1600 A	Top	<b>3P</b>	<b>4P</b>
		Bottom	<b>47328</b>	<b>47330</b>
			<b>47329</b>	<b>47331</b>

### Front connection accessories

#### Vertical connection adapters 250/630-1600 A

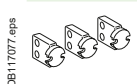
	3P (3 parts)	<b>33642</b>
	4P (4 parts)	<b>33643</b>

#### Interphase barriers

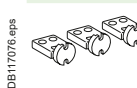
	3P/4P top (3 parts)	<b>33646</b>
	3P/4P bottom (3 parts)	<b>33646</b>

### Rear connection

#### Vertical connection


	250/630-1600 A	Top	<b>3P</b>	<b>4P</b>
		Bottom	<b>33604</b>	<b>33614</b>
			<b>33605</b>	<b>33615</b>

#### Horizontal connection

	250/630-1600 A	Top	<b>3P</b>	<b>4P</b>
		Bottom	<b>33606</b>	<b>33616</b>
			<b>33607</b>	<b>33617</b>

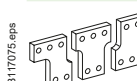
### Rear connection accessories

#### Interphase barriers

	3P/4P top (3 parts)	<b>33648</b>
	3P/4P bottom (3 parts)	<b>33648</b>

### Common accessories for front and rear connection


#### Spreaders

	250/630-1600 A	3P	<b>33622</b>
		4P	<b>33623</b>
		For front and horizontal rear connection	

#### Cable lug adapters 250/630-1600 A

	3P (3 parts)	<b>33644</b>
	4P (4 parts)	<b>33645</b>

#### Cable lug kits

	240 mm <sup>2</sup>	3P (6 lug kit)	<b>33013</b>
		4P (8 lug kit)	<b>33014</b>
	300 mm <sup>2</sup>	3P (6 lug kit)	<b>33015</b>
		4P (8 lug kit)	<b>33016</b>

F

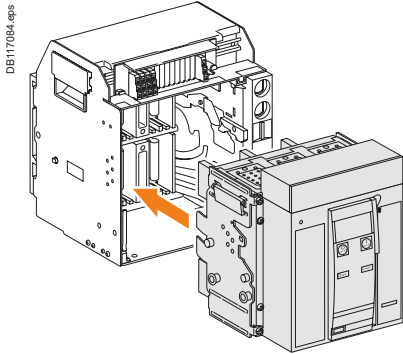
# NT06 to NT16 drawout switch-disconnectors

## Switch-disconnectors

A Masterpact drawout switch-disconnector is described by 4 catalogue numbers corresponding to:

- the basic switch-disconnector
- a chassis
- a top connection
- a bottom connection.

A communication option and various auxiliaries and accessories may also be added.



### Basic switch-disconnector

Type HA			3P	4P
In (A at 40 °C) Icm (kA peak for U = 220/690 V)				
NT06	630	75	47248	47249
NT08	800	75	47250	47251
NT10	1000	75	47252	47253
NT12	1250	75	47254	47255
NT16	1600	75	47256	47257

### Chassis

	3P	4P
630/1250 A	33722	33725
1600 A	33723	33726

### Communication option

	Chassis +	Switch-disconnector
COM (BCM-ULP)	33852	47485

### Brand option

Square D brand	Label	47802
----------------	-------	-------

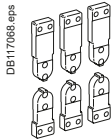
Auxiliaries and accessories:

- for fixed devices: see [page F-9](#)
  - for fixed or drawout devices: see [page F-12](#).
- Source changeover assembly: see [page F-12](#).

# NT06 to NT16 drawout switch-disconnectors

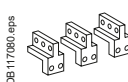
## Connections

### Chassis front connection

	250/630-1600 A		<b>3P</b>	<b>4P</b>
		Top	<b>33727</b>	<b>33733</b>
		Bottom	<b>33728</b>	<b>33734</b>

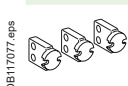
### Front connection accessories

#### Vertical connection adapters 250/630-1600 A

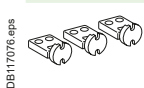
	3P (3 parts)	<b>33642</b>
	4P (4 parts)	<b>33643</b>

### Chassis rear connection

#### Vertical connection

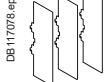
	250/630-1600 A		<b>3P</b>	<b>4P</b>
		Top	<b>33729</b>	<b>33735</b>
		Bottom	<b>33730</b>	<b>33736</b>

#### Horizontal connection

	250/630-1600 A		<b>3P</b>	<b>4P</b>
		Top	<b>33731</b>	<b>33737</b>
		Bottom	<b>33732</b>	<b>33738</b>

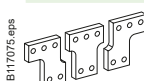
### Rear connection accessories

#### Interphase barriers

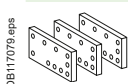
	3P/4P (3 parts)	<b>33768</b>

### Common accessories for front and rear connection

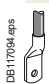
#### Spreaders

	250/630-1600 A		<b>3P</b>	<b>33622</b>	
			<b>4P</b>	<b>33623</b>	
		For front and horizontal rear connection			

#### Cable lug adapters 250/630-1600 A

	3P (3 parts)	<b>33644</b>
	4P (4 parts)	<b>33645</b>

#### Cable lug kits

	240 mm <sup>2</sup>	3P (6 lug kit)	<b>33013</b>
		4P (8 lug kit)	<b>33014</b>
	300 mm <sup>2</sup>	3P (6 lug kit)	<b>33015</b>
		4P (8 lug kit)	<b>33016</b>

F

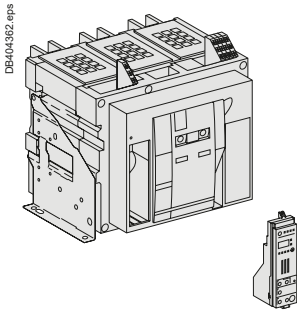
# NW08 to NW63 fixed circuit breakers

## Circuit breakers

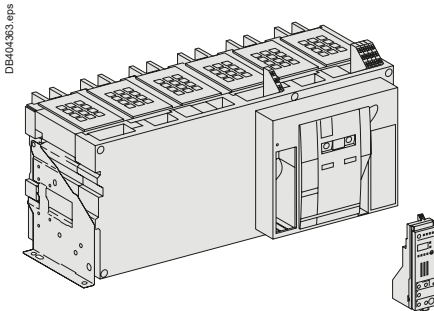
A Masterpact fixed circuit breaker is described by 4 catalogue numbers corresponding to:

- the basic circuit breaker
- a control unit
- a top connection
- a bottom connection.

A communication option and various auxiliaries and accessories may also be added.



Basic circuit breaker ≤ 4000 A.



Basic circuit breaker ≥ 4000 A.

### Basic circuit breaker

#### Type N1

			3P	4P
In (A at 40 °C) Icu (kA for U = 220/440 V) - Ics = 100 % Icu				
NW08	800	42	48000	48007
NW10	1000	42	48014	48021
NW12	1250	42	48028	48035
NW16	1600	42	48042	48049
NW20	2000	42	48056	48063

#### Type H1

			3P	4P
In (A at 40 °C) Icu (kA for U = 220/440 V) - Ics = 100 % Icu				
NW02	250	65	48189	48190
NW08	800	65	48001	48008
NW10	1000	65	48015	48022
NW12	1250	65	48029	48036
NW16	1600	65	48043	48050
NW20	2000	65	48057	48064
NW25	2500	65	48070	48076
NW32	3200	65	48082	48087
NW40	4000	65	48092	48097
NW40b	4000	100	48106	48109
NW50	5000	100	48112	48115
NW63	6300	100	48118	48121

#### Type H2

			3P	4P
In (A at 40 °C) Icu (kA for U = 220/440 V) - Ics = 100 % Icu				
NW08	800	100	48002	48009
NW10	1000	100	48016	48023
NW12	1250	100	48030	48037
NW16	1600	100	48044	48051
NW20	2000	100	48058	48065
NW25	2500	100	48071	48077
NW32	3200	100	48083	48088
NW40	4000	100	48093	48098
NW40b	4000	150	48107	48110
NW50	5000	150	48113	48116
NW63	6300	150	48119	48122

#### Option

Neutral on the right (1)

### Micrologic control unit

#### "ammeter" A

		3P/4P
Micrologic 2.0 A	basic protection	47282
Micrologic 5.0 A	selective protection	47285
Micrologic 6.0 A	selective + earth-fault protection	47286
Micrologic 7.0 A <sup>(2)</sup>	selective + earth-leakage protection	47287

#### "energy" E

		3P/4P
Micrologic 2.0 E	basic protection	47280
Micrologic 5.0 E	selective protection	47283
Micrologic 6.0 E	selective + earth-fault protection	47288

#### "power meter" P

		3P/4P
Micrologic 5.0 P	selective protection	47289
Micrologic 6.0 P	selective + earth-fault protection	47290
Micrologic 7.0 P <sup>(2)</sup>	selective + earth-leakage protection	47291

#### "harmonic meter" H

		3P/4P
Micrologic 5.0 H	selective protection	47293
Micrologic 6.0 H	selective + earth-fault protection	47294
Micrologic 7.0 H <sup>(2)</sup>	selective + earth-leakage protection	47295

### Communication option

COM (BCM-ULP)		48188
Eco COM module (BCM-ULP)		47406
IFE	Ethernet interface for LV breaker	LV434001
	Ethernet interface for LV breakers and gateway	LV434002
IFM Modbus-SL interface module		LV434000
I/O application module		LV434063

(1) Select a 4P basic circuit breaker with neutral on the right page F-34.

All other catalogue numbers are unchanged.

(2) Only for breaker up to 3200A

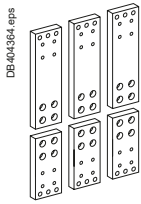
Auxiliaries and accessories:

- for fixed devices: see page F-20
  - for fixed or drawout devices: see page F-28.
- Switch-disconnector version: see page F-30.  
Source changeover assembly: see page F-28.

# NW08 to NW63 fixed circuit breakers

## Connections

### Front connection



			3P	4P
250/800-1600 A	Top		48128	48153
	Bottom		48130	48155
2000 A	Top		48124	48126
	Bottom		48125	48127
2500/3200 A	Top		48129	48154
	Bottom		48131	48156

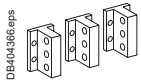
### Front connection accessories



Disconnectable front connection				
			3P	4P
1600 A			48421	48424
			48422	48425

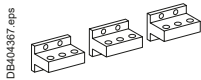
### Rear connection

#### Vertical connection



			3P	4P
250/800-2000 A	Top		48133	48158
	Bottom		48138	48163
800-1600 A type L1	Top		48134	48159
	Bottom		48139	48164
2500/3200 A	Top		48135	48160
	Bottom		48140	48165
2000 A types H3/L1	Top		48136	48161
	Bottom		48141	48166
4000 A	Top		48137	48162
	Bottom		48142	48167
4000b/5000 A	Top		48143	48168
	Bottom		48148	48173
6300 A	Top		48144	48169
	Bottom		48149	48174
	Top		48145	48170
	Bottom		48150	48175
	Top		48146	48171
	Bottom		48151	48176

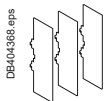
#### Horizontal connection



			3P	4P
250/800-2000 A	Top		48143	48168
	Bottom		48148	48173
800-1600 A type L1	Top		48144	48169
	Bottom		48149	48174
2500/3200 A	Top		48145	48170
	Bottom		48150	48175
2000 A types H3/L1	Top		48146	48171
	Bottom		48151	48176
4000 A	Top		48147	48172
	Bottom		48152	48177
4000b/5000 A	Top		48148	48173
	Bottom		48153	48178

### Rear connection accessories

#### Interphase barriers



3P/4P (3 parts)		48599
-----------------	--	-------

#### Brackets for mounting on a backplate



2 parts		47829
---------	--	-------

### Brand option

Square D brand	Label	47802
----------------	-------	-------

### Grounding kit

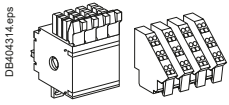
Grounding kit for Masterpact NW fixed		48558
---------------------------------------	--	-------

F

# NW08 to NW63 fixed circuit breakers

## Indication contacts

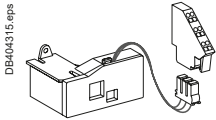
### ON/OFF indication contacts (OF)



Block of 4 changeover contacts (6 A - 240 V)  
1 additional block of 4 contacts (2 max.)

1 block (standard)  
**48198**

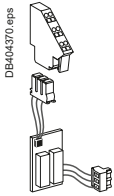
### "Fault trip" indication contacts (SDE)



Changeover contact (6 A - 240 V)  
1 additional SDE (6 A - 240 V)  
1 additional low-level SDE

1 (standard)  
**48200**  
**48201**

### Programmable contacts (\*) (programmed via Micrologic control unit)

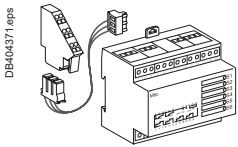


M2C

2 contacts M2C (5 A - 240 V)  
6 changeover contacts M6C (5 A - 240 V)

**47403**  
**47404**

(\*) For Micrologic control units P and H only.



M6C

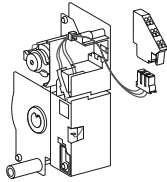
# NW08 to NW63 fixed circuit breakers

## Remote operation

### Remote ON/OFF

#### Gear motor

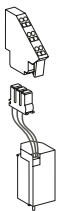
DB404316.eps



		MCH
AC 50/60 Hz	48 V	48207
	100/130 V	48211
	200/240 V	48212
	250/277 V	48213
	380/415 V	48214
	440/480 V	48215
DC	24/30 V	48206
	48/60 V	48207
	100/130 V	48208
	200/250 V	48209

#### Instantaneous voltage releases

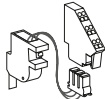
DB404317.eps



		Closing release	Opening release
<b>Standard</b>		<b>XF</b>	<b>MX</b>
AC 50/60 Hz	12 V DC	47349	47359
	24/30 V DC, 24 V AC	47350	47360
	48/60 V DC, 48 V AC	47351	47361
	100/130 V AC/DC	47352	47362
	200/250 V AC/DC	47353	47363
	277 V AC	47354	47364
	380/480 V AC	47355	47365
<b>Communicating</b>		<b>XF com</b>	<b>MX com</b>
AC 50/60 Hz	12 V DC	47310	47320
	24/30 V DC, 24 V AC	47311	47321
	48/60 V DC, 48 V AC	47312	47322
	100/130 V AC/DC	47313	47323
	200/250 V AC/DC	47314	47324
	277 V AC	47315	47325
DC	380/480 V AC	47316	47326

#### “Ready to close” contact (1 max.)

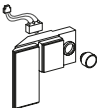
DB404316.eps



		PF
1 changeover contact (5 A - 240 V)		47342
1 low-level changeover contact		47343

#### Electrical closing pushbutton

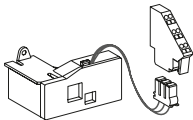
DB404319.eps



		BPFE
1 pushbutton		48534

#### Remote reset after fault trip

DB404315.eps

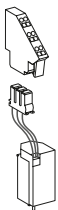


		RES
Electrical reset	110/130 V AC	48202
	220/240 V AC	48203
<b>Automatic reset</b>		<b>RAR</b>
Adaptation		47346

### Remote tripping

#### Instantaneous voltage release

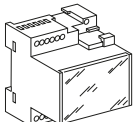
DB404317.eps



		2 <sup>nd</sup> MX	or	MN
AC 50/60 Hz	12 V DC	47369		
	24/30 V DC, 24 V AC	47370		47380
	48/60 V DC, 48 V AC	47371		47381
	100/130 V AC/DC	47372		47382
	200/250 V AC/DC	47373		47383
	277 V AC	47374		
	380/480 V AC	47375		47385
	DC			

#### MN delay unit

DB404320.eps



		R (non-adjustable)	Rr (adjustable)
AC 50/60 Hz	48/60 V AC/DC		33680
	100/130 V AC/DC	33684	33681
	200/250 V AC/DC	33685	33682
	380/480 V AC/DC		33683

F

# NW08 to NW63 drawout circuit breakers

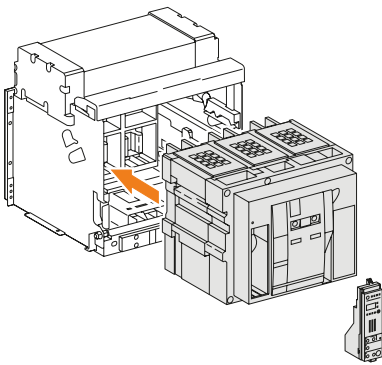
## Circuit breakers

A Masterpact drawout circuit breaker is described by 5 catalogue numbers corresponding to:

- the basic circuit breaker
- a control unit
- a chassis
- a top connection
- a bottom connection.

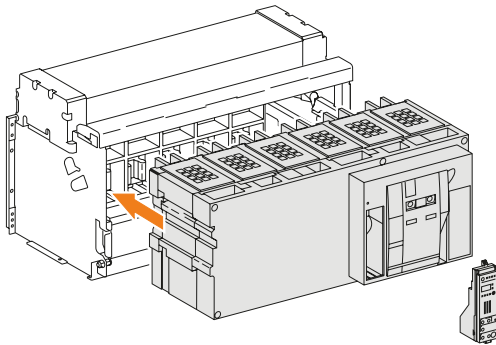
A communication option and various auxiliaries and accessories may also be added.

DB 10/19/11.EPS



Basic circuit breaker + chassis ≤ 4000 A

DB 10/19/12.EPS



Basic circuit breaker + chassis ≥ 4000 A

F

### Basic circuit breaker

			3P	4P
<b>Type N1</b>				
In (A at 40 °C) Icu (kA for U = 220/440 V) - Ics = 100 % Icu				
NW08	800	42	48230	48237
NW10	1000	42	48244	48251
NW12	1250	42	48258	48265
NW16	1600	42	48272	48279
NW20	2000	42	48286	48293

<b>Type H1</b>				
In (A at 40 °C) Icu (kA for U = 220/440 V) - Ics = 100 % Icu				
NW02	250	65	48386	48387
NW08	800	65	48231	48238
NW10	1000	65	48245	48252
NW12	1250	65	48259	48266
NW16	1600	65	48273	48280
NW20	2000	65	48287	48294
NW25	2500	65	48300	48306
NW32	3200	65	48312	48317
NW40	4000	65	48322	48327
NW40b	4000	100	48336	48339
NW50	5000	100	48342	48345
NW63	6300	100	48348	48351

<b>Type H2</b>				
In (A at 40 °C) Icu (kA for U = 220/440 V) - Ics = 100 % Icu				
NW08	800	100	48232	48239
NW10	1000	100	48246	48253
NW12	1250	100	48260	48267
NW16	1600	100	48274	48281
NW20	2000	100	48288	48295
NW25	2500	100	48301	48307
NW32	3200	100	48313	48318
NW40	4000	100	48323	48328
NW40b	4000	150	48337	48340
NW50	5000	150	48343	48346
NW63	6300	150	48349	48352

<b>Type H3</b>				
In (A at 40 °C) Icu (kA for U = 220/440 V) - Ics = 100 % Icu				
NW20	2000	150	48289	48296
NW25	2500	150	48302	48308
NW32	3200	150	48314	48319
NW40	4000	150	48324	48329

<b>Type L1</b>				
In (A at 40 °C) Icu (kA for U = 220/440 V) - Ics = 100 % Icu				
NW08	800	150	48233	48240
NW10	1000	150	48247	48254
NW12	1250	150	48261	48268
NW16	1600	150	48275	48282
NW20	2000	150	48290	48297

<b>Option</b>				
Neutral on the right				(1)

### Micrologic control unit

"ammeter" A			3P/4P
Micrologic 2.0 A	basic protection		48358
Micrologic 5.0 A	selective protection		48360
Micrologic 6.0 A	selective + earth-fault protection		48361
Micrologic 7.0 A <sup>(2)</sup>	selective + earth-leakage protection		48362

"energy" E			3P/4P
Micrologic 2.0 E	basic protection		48498
Micrologic 5.0 E	selective protection		48499
Micrologic 6.0 E	selective + earth-fault protection		48500

"power meter" P			3P/4P
Micrologic 5.0 P	selective protection		48363
Micrologic 6.0 P	selective + earth-fault protection		48364
Micrologic 7.0 P <sup>(2)</sup>	selective + earth-leakage protection		48365

"harmonic meter" H			3P/4P
Micrologic 5.0 H	selective protection		48366
Micrologic 6.0 H	selective + earth-fault protection		48367
Micrologic 7.0 H <sup>(2)</sup>	selective + earth-leakage protection		48368

### Grounding kit

Grounding kit for Masterpact NW drawout	48559
---	-------

(1) Select a 4P basic circuit breaker with neutral on the right page F-34.

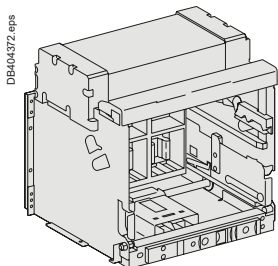
All other catalogue numbers are unchanged.

(2) Only for breaker up to 3200 A.



# NW08 to NW63 drawout circuit breakers

## Chassis and connections



Chassis ≤ 4000 A

Auxiliaries and accessories:

- for drawout devices: see [page F-24](#)
  - for fixed or drawout devices: see [page F-28](#).
- Switch-disconnector version: see [page F-30](#).  
 Source changeover assembly: see [page F-28](#).

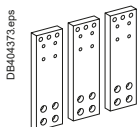
### Chassis

	3P	4P
<b>For type N1</b>		
800/1250 A	48391	48403
1600 A	48392	48404
<b>For type H1/H2</b>		
250/800-1600 A	48392	48404
2000 A	48393	48405
2500 A	48394	48406
3200 A	48395	48407
4000 A	48396	48408
4000b/6300 A	48397	48409
<b>For type H3</b>		
2000/2500 A	48394	48406
3200 A	48395	48407
4000 A	48396	48408
<b>For type L1</b>		
800/1600 A	48399	48411
2000 A	48400	48412

### Communication option

	Chassis (I/O application module) +	Circuit breaker (BCM-ULP)
COM (BCM-ULP)	33852	48384
Eco COM module (BCM-ULP)	33852	48385
IFE Ethernet interface for LV breaker	LV434001	
IFE Ethernet interface for LV breakers and gateway	LV434002	
IFM Modbus-SL interface module	LV434000	
I/O application module	LV434063	

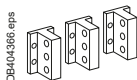
### Chassis front connection



		3P	4P
250/800-1600 A	Top	48415	48441
	Bottom	48418	48444
2000 A	Top	48413	48417
	Bottom	48414	48420
2500/3200 A	Top	48416	48442
	Bottom	48419	48445

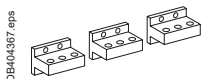
### Chassis rear connection

#### Vertical connection



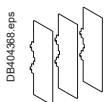
		3P	4P
250/800-2000 A	Top	48133	48158
	Bottom	48138	48163
800-1600 A type L1	Top	48134	48159
	Bottom	48139	48164
2500/3200 A	Top	48135	48160
	Bottom	48140	48165
2000 A types H3/L1	Top	48136	48161
	Bottom	48141	48166
4000 A	Top	48137	48162
	Bottom	48142	48167
4000b/5000 A	Top	48136	48161
	Bottom	48141	48166
6300 A	Top	48137	48162
	Bottom	48142	48167

#### Horizontal connection



		3P	4P
250/800-2000 A	Top	48143	48168
	Bottom	48148	48173
800-1600 A type L1	Top	48144	48169
	Bottom	48149	48174
2500/3200 A	Top	48145	48170
	Bottom	48150	48175
2000 A types H3/L1	Top	48146	48171
	Bottom	48151	48176
4000 A	Top	48145	48170
	Bottom	48150	48175
4000b/5000 A	Top	48146	48171
	Bottom	48151	48176

#### Rear connection accessories



<b>Interphase barriers</b>		
3P/4P (3 parts)	48600	

### Brand option

Square D brand	Label	47802
----------------	-------	-------

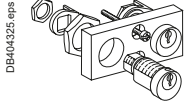


# NW08 to NW63 drawout circuit breakers

## Chassis locking and accessories

### Chassis locking

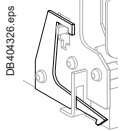
#### "Disconnected" position locking



DB404325 eps

By padlocks		
	VCPO	Standard
By Profalux keylocks		
Profalux	1 lock with 1 key + adaptation kit	48568
	2 locks 1 key + adaptation kit	48569
	2 locks 2 different keys + adaptation kit	48570
1 keylock Profalux (without adaptation kit):	identical key not identified combination	33173
	identical key identified 215470 combination	33174
	identical key identified 215471 combination	33175
By Ronis keylocks		
Ronis	1 lock with 1 key + adaptation kit	48572
	2 locks 1 key + adaptation kit	48573
	2 locks 2 different keys + adaptation kit	48574
1 keylock Ronis (without adaptation kit):	identical key not identified combination	33189
	identical key identified EL24135 combination	33190
	identical key identified EL24153 combination	33191
	identical key identified EL24315 combination	33192
Optional disconnected/test/connected position locking		33779
Adaptation kit (without keylock):	adaptation kit Profalux / Ronis	48564
	adaptation kit Castell	48565
	adaptation kit Kirk	48566

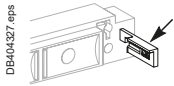
#### Door interlock (1 part)



DB404326 eps

Right-hand side of chassis	48579
Left-hand side of chassis	48580

#### Racking interlock



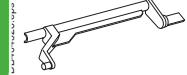
DB404327 eps

1 part	48582
--------	-------

#### Racking interlock between crank and OFF pushbutton

1 part	48585
--------	-------

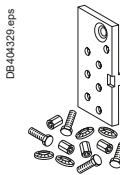
#### Automatic spring discharge before breaker removal



DB404328 eps

1 part	48554
--------	-------

#### Breaker mismatch protection



DB404329 eps

Breaker mismatch protection VDC	33767
---------------------------------	-------

F

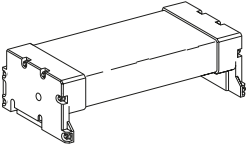
# NW08 to NW63 drawout circuit breakers

## Chassis locking and accessories

### Chassis accessories

#### Arc chute cover

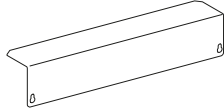
DB404330.eps



3P/4P	Standard
-------	----------

#### Auxiliary terminal shield (CB)

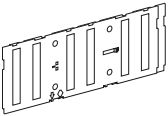
DB404331.eps



800/4000 A	3P	48595
	4P	48596
4000b/6300 A	3P	48597
	4P	48598

#### Safety shutters + locking block

DB404332.eps



800/4000 A	3P	Standard
	4P	Standard
4000b/6300 A	3P	Standard
	4P	Standard

#### Shutter locking block (for replacement)

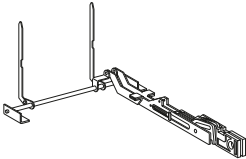
DB404333.eps



2 parts for 800/4000 A	48591S
------------------------	--------

#### Front face shutter position indication and locking

DB404374.eps



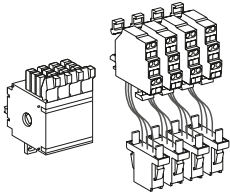
800/4000 A	3P/4P	48592
4000b/6300 A	3P	48593
	4P	48594

# NW08 to NW63 drawout circuit breakers

## Indication contacts

### ON/OFF indication contacts (OF)

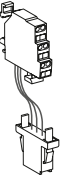
DB404321.eps



Block of 4 changeover contacts (6 A - 240 V)	1 block (standard)
1 additional block of 4 contacts (2 max.)	<b>48468</b>

### Combined closed / connected contacts for use with 1 auxiliary contact

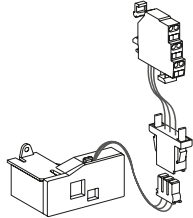
DB404322.eps



1 contact (5 A - 240 V) (8 max.)	<b>48477</b>
or 1 low-level contact (8 max.)	<b>48478</b>

### "Fault trip" indication contacts (SDE)

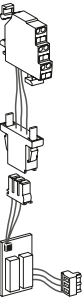
DB404323.eps



Changeover contact (6 A - 240 V)	1 (standard)
1 additional SDE (6 A - 240 V)	<b>48475</b>
or 1 additional low-level SDE	<b>48476</b>

### Programmable contacts (\*) (programmed via Micrologic control unit)

DB404375.eps



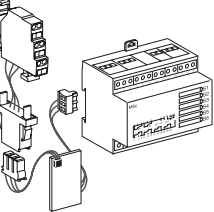
2 contacts M2C (5 A - 240 V)	<b>48382</b>
or 6 contacts M6C (5 A - 240 V)	<b>48383</b>

(\*) For Micrologic control units P and H only.

F

M2C

DB404376.eps



M6C

### Carriage switches (connected / disconnected / test position)

DB404324.eps



<b>Changeover contacts (8 A - 240 V)</b>	
1 connected position contact (3 max.)	<b>33751</b>
1 test position contact (3 max.)	<b>33752</b>
1 disconnected position contact (3 max.)	<b>33753</b>
<b>and/or low-level changeover contacts</b>	
1 connected position contact (3 max.)	<b>33754</b>
1 test position contact (3 max.)	<b>33755</b>
1 disconnected position contact (3 max.)	<b>33756</b>
Actuator for additional carriage switches	<b>48560</b>

### Auxiliary terminals for chassis alone

3 wire terminal (30 parts)	<b>47898</b>
6 wire terminal (10 parts)	<b>47899</b>
Jumpers (10 parts)	<b>47900</b>

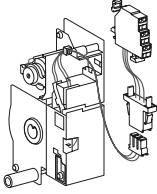
# NW08 to NW63 drawout circuit breakers

## Remote operation

### Remote ON/OFF

#### Gear motor

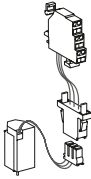
DB404377.eps



		MCH
AC 50/60 Hz	48 V	48522
	100/130 V	48526
	200/240 V	48527
	250/277 V	48528
	380/415 V	48529
	440/480 V	48530
DC	24/30 V	48521
	48/60 V	48522
	100/130 V	48523
	200/250 V	48524

#### Instantaneous voltage releases

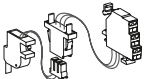
DB404378.eps



		Closing release	Opening release
<b>Standard</b>	AC 50/60 Hz	XF	MX
	DC	48480	48490
		48481	48491
		48482	48492
		48483	48493
		48484	48494
		48485	48495
		48486	48496
<b>Communicating</b>	AC 50/60 Hz	XF com	MX com
	DC	48448	48457
		48449	48458
		48450	48459
		48451	48460
		48452	48461
		48453	48462
		48454	48463

#### “Ready to close” contact (1 max.)

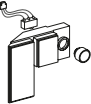
DB404379.eps



		PF
1 changeover contact (5 A - 240 V)		48469
	1 low-level changeover contact	48470

#### Electrical closing pushbutton

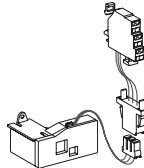
DB404319.eps



		BPFE
1 pushbutton		48534

#### Remote reset after fault trip

DB404323.eps

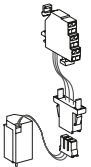


		RES
<b>Electrical reset</b>	110/130 V AC	48472
	220/240 V AC	48473
<b>Automatic reset</b>		RAR
Adaptation		47346

### Remote tripping

#### Instantaneous voltage release

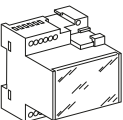
DB404378.eps



		2 <sup>nd</sup> MX	or	MN
AC 50/60 Hz	12 V DC	48510		
	24/30 V DC, 24 V AC	48511		48501
DC	48/60 V DC, 48 V AC	48512		48502
	100/130 V AC/DC	48513		48503
	200/250 V AC/DC	48514		48504
	277 V AC	48515		
	380/480 V AC	48516		48506

#### MN delay unit

DB404320.eps



		R (non-adjustable)	Rr (adjustable)
AC 50/60 Hz	48/60 V AC/DC		33680
	100/130 V AC/DC	33684	33681
DC	200/250 V AC/DC	33685	33682
	380/480 V AC/DC		33683

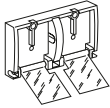
F

# Accessories for NW08 to NW63 fixed and drawout circuit breakers

## Circuit breaker locking

### Pushbutton locking device

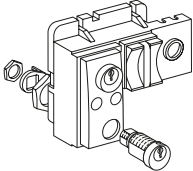
DB40437.eps



By padlocks	48536
-------------	-------

### OFF position locking

DB40438.eps



By padlocks		
	VCPO	48539
By Profalux keylocks		
Profalux	1 lock with 1 key + adaptation kit	48545
	2 locks 1 key + adaptation kit	48546
	2 locks 2 different keys + adaptation kit	48547
1 keylock Profalux (without adaptation kit):	identical key not identified combination	33173
	identical key identified 215470 combination	33174
	identical key identified 215471 combination	33175
By Ronis keylocks		
Ronis	1 lock with 1 key + adaptation kit	48549
	2 locks 1 key + adaptation kit	48550
	2 locks 2 different keys + adaptation kit	48551
1 keylock Ronis (without adaptation kit):	identical key not identified combination	33189
	identical key identified EL24135 combination	33190
	identical key identified EL24153 combination	33191
	identical key identified EL24315 combination	33192
Adaptation kit (without keylock):	adaptation kit Profalux / Ronis	48541
	adaptation kit Kirk	48542
	adaptation kit Castell	48543

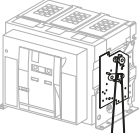
### Cable-type door interlock

1 complete assembly for Masterpact NW fixed or drawout device	48614
---	-------

### Mechanical interlocking for source changeover

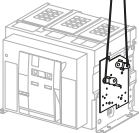
#### Interlocking of 2 devices using connecting rods

DB40480.eps



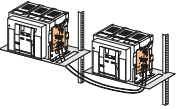
Complete assembly with 2 adaptation fixtures + rods	
2 Masterpact NW fixed devices	48612
2 Masterpact NW drawout devices	48612
<i>Can be used with 1 NW fixed + 1 NW drawout.</i>	

F



#### Interlocking of 2 devices using cables (\*)

DB416748.eps

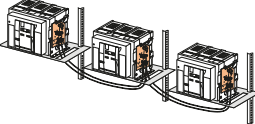


Choose 2 adaptation fixtures (1 for each device) + 1 set of cables	
1 adaptation fixture for Masterpact NW fixed devices	47926
1 adaptation fixture for Masterpact NW drawout devices	47926
1 set of 2 cables of 2.5 m	33209

(\*) Can be used with any combination of NT or NW, fixed or drawout devices.

#### Interlocking of 3 devices using cables

DB416749.eps



Choose 1 interlocking kit (including 3 adaptation fixtures + cables)	
3 sources, only 1 device closed, fixed or drawout devices	48610
2 sources + 1 coupling, fixed or drawout devices	48609
2 normal + 1 replacement source, fixed or drawout devices	48608

## Other circuit breaker accessories

### Mechanical operation counter

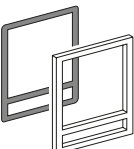
DB125617.eps



Operation counter CDM	48535
-----------------------	-------

### Escutcheon and accessories

DB40439.eps



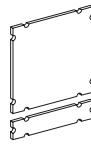
Escutcheon  
F-28

DB40430.eps



Cover

DB40431.eps



Blanking plate


	Fixed	Drawout
Escutcheon	48601	48603
Transparent cover IP54		48604
Escutcheon blanking plate	48605	48605

# Accessories for NW08 to NW63 fixed and drawout circuit breakers

## Accessories for Micrologic control units

### External sensors

#### External sensor for earth-fault protection (TCE)

	Sensor rating	400/2000 A	34035
		1000/4000 A	34036
		4000/6300 A (for NW40b, NW50, NW63)	48182


#### Rectangular sensor for earth-leakage protection

	470 mm x 160 mm / L2	In max. 3200 A	56054
---	----------------------	----------------	-------

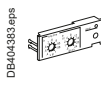
#### Source ground return (SGR) earth fault protection

	External sensor (SGR)		33579
	MDGF summing module		48891

#### Voltage measurement input (for breakers supplied via bottom terminals)

	Voltage measurement input	Fixed	47506
		Drawout	48533

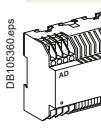
#### Long-time rating plug (limits setting range for higher accuracy)

	Standard	0.4 at 1 x Ir	33542
	Low-setting option	0.4 at 0.8 x Ir	33543
	High-setting option	0.8 at 1 x Ir	33544
	Without long-time protection	off	33545

#### Zone Selective Interlocking option for Micrologic P and H

ZSI	Standard
-----	----------

#### External power supply module (AD)


	24/30 V DC	54440
	48/60 V DC	54441
	100/125 V DC	54442
	110/130 V AC	54443
	200/240 V AC	54444
	380/415 V AC	54445

#### Battery module (BAT)

	1 battery 24 V	54446
---	----------------	-------

## Test equipment

### Mini test kit

	Hand held test kit (HHTK)	33594
---	---------------------------	-------

### Portable test kit

	Full function test kit (FFTK)	33595
	Test report edition come from FFTK	34559
	FFTK test cable 2 pin for STR trip unit	34560
	FFTK test cable 7 pin for Micrologic trip unit	33590

## Special settings

Sensor rating

To be specified when ordering

Rating	NW02	NW08	NW10	NW12	NW16	NW20	NW25	NW32
250	■							
400		■	■					
630		■	■					
800			■		■			
1000				■	■	■		
1250					■	■	■	
1600						■	■	■
2000							■	■
2500								■
3200								
Rating	NW40	NW40b	NW50	NW63				
2000	■	■						
2500	■	■	■					
3200	■	■	■	■				
4000			■	■				
5000				■				
6300								



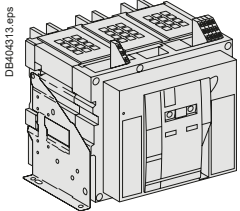
# NW08 to NW63 fixed switch-disconnectors

## Switch-disconnectors

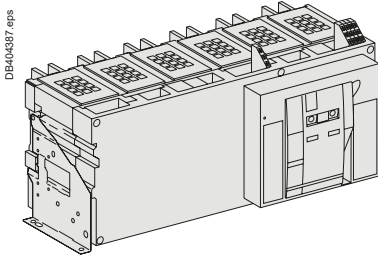
A Masterpact fixed switch-disconnector is described by 3 catalogue numbers corresponding to:

- the basic switch-disconnector
- a top connection
- a bottom connection.

A communication option and various auxiliaries and accessories may also be added.



Basic switch-disconnector  $\leq 4000$  A.



Basic switch-disconnector  $\geq 4000$  A.

### Basic switch-disconnector

#### Type NA

			3P	4P
			In (A at 40 °C) Icm (kA peak for U = 220/690 V)	
NW08	800	88	48004	48011
NW10	1000	88	48018	48025
NW12	1250	88	48032	48039
NW16	1600	88	48046	48053

#### Type HA

			3P	4P
			In (A at 40 °C) Icm (kA peak for U = 220/690 V)	
NW08	800	143	48005	48012
NW10	1000	143	48019	48026
NW12	1250	143	48033	48040
NW16	1600	143	48047	48054
NW20	2000	143	48061	48068
NW25	2500	143	48074	48080
NW32	3200	143	48085	48090
NW40	4000	143	48095	48100
NW40b	4000	187	48108	48111
NW50	5000	187	48114	48117
NW63	6300	187	48120	48123

#### Type HF

			3P	4P
			In (A at 40 °C) Icm (kA peak for U = 220/690 V)	
NW08	800	187	48006	48013
NW10	1000	187	48020	48027
NW12	1250	187	48034	48041
NW16	1600	187	48048	48055
NW20	2000	187	48062	48069
NW25	2500	187	48075	48081
NW32	3200	187	48086	48091
NW40	4000	187	48096	48101

#### Type HH

			3P	4P
			In (A at 40 °C) Icm (kA peak for U = 220/690 V)	
NW40b	4000	220	46130	46135
NW50	5000	220	46131	46136
NW63	6300	220	46132	46137

### Communication option

COM (BCM ULP)		48188
IFE	Ethernet interface for LV breaker	LV434001
	Ethernet interface for LV breakers and gateway	LV434002
IFM Modbus-SL interface module		LV434000
I/O application module		LV434063

F

Auxiliaries and accessories:

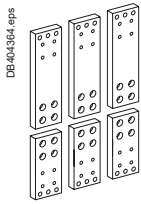
- for fixed devices: see [page F-20](#)
  - for fixed or drawout devices: see [page F-28](#).
- Source changeover assembly: see [page F-28](#).



# NW08 to NW63 fixed switch-disconnectors

## Connections

### Front connection



			3P	4P
800-1600 A	Top		48128	48153
	Bottom		48130	48155
2000 A	Top		48124	48126
	Bottom		48125	48127
2500-3200 A	Top		48129	48154
	Bottom		48131	48156

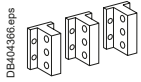
### Front connection accessories



Disconnectable front connection				
			3P	4P
1600 A			48421	48424
			48422	48425

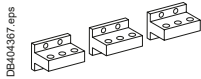
### Rear connection

#### Vertical connection



			3P	4P
800-2000 A	Top		48133	48158
	Bottom		48138	48163
2500-3200 A	Top		48134	48159
	Bottom		48139	48164
4000 A	Top		48135	48160
	Bottom		48140	48165
4000b/5000 A	Top		48136	48161
	Bottom		48141	48166
6300 A	Top		48137	48162
	Bottom		48142	48167

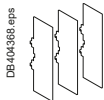
#### Horizontal connection



			3P	4P
800-2000 A	Top		48143	48168
	Bottom		48148	48173
2500-3200 A	Top		48144	48169
	Bottom		48149	48174
4000 A	Top		48145	48170
	Bottom		48150	48175
4000b/5000 A	Top		48146	48171
	Bottom		48151	48176

### Rear connection accessories

#### Interphase barriers



3P/4P (3 parts)			48599	
-----------------	--	--	-------	--

#### Brackets for mounting on a backplate



2 parts			47829	
---------	--	--	-------	--

F

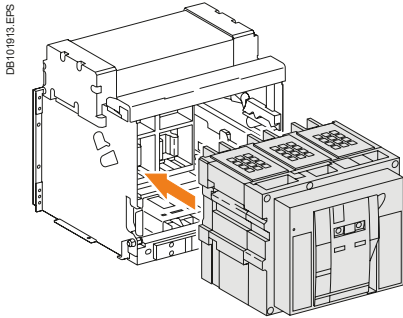
# NW08 to NW63 drawout switch-disconnectors

## Switch-disconnectors

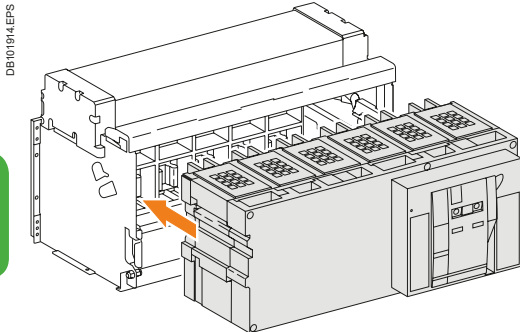
A Masterpact drawout switch-disconnector is described by 4 catalogue numbers corresponding to:

- the basic switch-disconnector
- a chassis
- a top connection
- a bottom connection.

A communication option and various auxiliaries and accessories may also be added.



Basic switch-disconnector + chassis ≤ 4000 A.



Basic switch-disconnector + chassis ≥ 4000 A.

F

### Basic switch-disconnector

			Type NA	
			3P	4P
			In (A at 40 °C) Icm (kA peak for U = 220/690 V)	
NW08	800	88	48234	48241
NW10	1000	88	48248	48255
NW12	1250	88	48262	48269
NW16	1600	88	48276	48283

			Type HA	
			3P	4P
			In (A at 40 °C) Icm (kA peak for U = 220/690 V)	
NW08	800	143	48235	48242
NW10	1000	143	48249	48256
NW12	1250	143	48263	48270
NW16	1600	143	48277	48284
NW20	2000	143	48291	48298
NW25	2500	143	48304	48310
NW32	3200	143	48315	48320
NW40	4000	143	48325	48330
NW40b	4000	187	48338	48341
NW50	5000	187	48344	48347
NW63	6300	187	48350	48353

			Type HF	
			3P	4P
			In (A at 40 °C) Icm (kA peak for U = 220/690 V)	
NW08	800	187	48236	48243
NW10	1000	187	48250	48257
NW12	1250	187	48264	48271
NW16	1600	187	48278	48285
NW20	2000	187	48292	48299
NW25	2500	187	48305	48311
NW32	3200	187	48316	48321
NW40	4000	187	48326	48331

			Type HH	
			3P	4P
			In (A at 40 °C) Icm (kA peak for U = 220/690 V)	
NW40b	4000	220	46140	46145
NW50	5000	220	46141	46146
NW63	6300	220	46142	46147

### Chassis

			Type NA	
			3P	4P
800-125 A			48391	48403
1600 A			48392	48404

			Type HA/HF	
			3P	4P
800-1600 A			48392	48404
2000 A			48393	48405
2500 A			48394	48406
3200 A			48395	48407
4000 A			48396	48408
4000b/6300 A			48397	48409

### Communication option

		Chassis (I/O application module) +	Switch-disconnector (BCM-ULP)
COM (BCM-ULP)		33852	48384
IFE	Ethernet interface for LV breaker	LV434001	
	Ethernet interface for LV breakers and gateway	LV434002	
IFM Modbus-SL interface module		LV434000	
I/O application module		LV434063	

Auxiliaries and accessories:

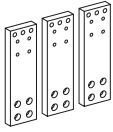
- for drawout devices: see [page F-24](#)
  - for fixed or drawout devices: see [page F-28](#).
- Source changeover assembly: see [page F-28](#).

# NW08 to NW63 drawout switch-disconnectors

## Connections

### Chassis front connection

DE404373.eps

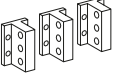


		3P	4P
800-1600 A	Top	48415	48441
	Bottom	48418	48444
2000 A	Top	48413	48417
	Bottom	48414	48420
2500/3200 A	Top	48416	48442
	Bottom	48419	48445

### Chassis rear connection

#### Vertical connection

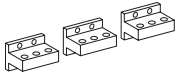
DE404386.eps



		3P	4P
800-2000 A	Top	48133	48158
	Bottom	48138	48163
2500/3200 A	Top	48134	48159
	Bottom	48139	48164
4000 A	Top	48135	48160
	Bottom	48140	48165
4000b/5000 A	Top	48136	48161
	Bottom	48141	48166
6300 A	Top	48137	48162
	Bottom	48142	48167

#### Horizontal connection

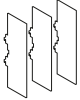
DE404387.eps



		3P	4P
800-2000 A	Top	48143	48168
	Bottom	48148	48173
2500/3200 A	Top	48144	48169
	Bottom	48149	48174
4000 A	Top	48145	48170
	Bottom	48150	48175
4000b/5000 A	Top	48146	48171
	Bottom	48151	48176

### Rear connection accessories

DE404388.eps



Interphase barriers		
3P/4P (3 parts)		48600



# NW08 to NW63 circuit breakers with neutral on the right

## Circuit breakers

A 4 pole Masterpact circuit breaker with neutral on the right is described by the same catalogue numbers as a standard 4 pole one, except for the basic circuit breaker, which is specific.

### Fixed circuit breakers with neutral on the right

#### Type H1

			4P
In (A at 40 °C) Icu (kA for U = 220/440 V) - Ics = 100 % Icu			
NW08	800	65	48183
NW10	1000	65	48184
NW12	1250	65	48185
NW16	1600	65	48186
NW20	2000	65	48060
NW25	2500	65	48073
NW32	3200	65	48187
NW40	4000	65	48193
NW40b	4000	100	48194
NW50	5000	100	48195
NW63	6300	100	48196

#### Type H2

			4P
In (A at 40 °C) Icu (kA for U = 220/440 V) - Ics = 100 % Icu			
NW08	800	100	48177
NW10	1000	100	48178
NW12	1250	100	48179
NW16	1600	100	48180
NW20	2000	100	48067
NW25	2500	100	48079
NW32	3200	100	48181
NW40	4000	100	48102
NW40b	4000	150	48103
NW50	5000	150	48104
NW63	6300	150	48105

### Drawout circuit breakers with neutral on the right

#### Type H1

			4P
In (A at 40 °C) Icu (kA for U = 220/440 V) - Ics = 100 % Icu			
NW08	800	65	48226
NW10	1000	65	48227
NW12	1250	65	48228
NW16	1600	65	48229
NW20	2000	65	48436
NW25	2500	65	48303
NW32	3200	65	48437
NW40	4000	65	48332
NW40b	4000	100	48333
NW50	5000	100	48334
NW63	6300	100	48335

#### Type H2

			4P
In (A at 40 °C) Icu (kA for U = 220/440 V) - Ics = 100 % Icu			
NW08	800	100	48426
NW10	1000	100	48427
NW12	1250	100	48428
NW16	1600	100	48429
NW20	2000	100	48438
NW25	2500	100	48309
NW32	3200	100	48439
NW40	4000	100	48354
NW40b	4000	150	48355
NW50	5000	150	48356
NW63	6300	150	48357

## Catalogue numbers

# NW08 to NW40

## Earthing switch

A Masterpact earthing switch is described by 2 catalogue numbers corresponding to:

- an earthing kit, to be mounted on a standard Masterpact NW08 to NW40 chassis, types N1, H1, NA or HA
- an earthing switch, to be racked-in in a chassis equipped with an earthing kit.

### Earthing switch

#### Type ES

	3P	4P
In (A at 40°C) Icm (kA peak for U = 220/690 V)		
NW08 to NW40 4000 135	<b>48430</b>	<b>48431</b>

### Earthing kit for chassis

#### Types for N1/H1/NA/HA

	3P	4P
Earthing kit	<b>48433</b>	<b>48434</b>

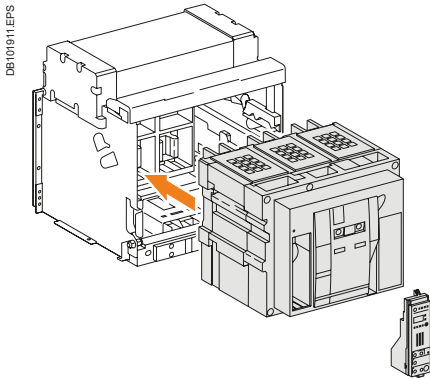
# NW08 to NW40 1000 V AC

## Drawout circuit breakers and switch-disconnectors

A Masterpact 1000 V AC drawout circuit breaker is described by 5 catalogue numbers corresponding to:

- the basic circuit breaker
- a control unit
- a chassis
- a top connection
- a bottom connection.

A communication option and various auxiliaries and accessories may also be added.



### Basic circuit breaker

#### Type H10

			3P	4P
In (A at 40°C)		Icu (kA for U = 1150 V) - Ics = 100 % Icu		
NW08	800	50	48725	48735
NW10	1000	50	48726	48736
NW12	1250	50	48727	48737
NW16	1600	50	48728	48738
NW20	2000	50	48729	48739
NW25	2500	50	48730	48740
NW32	3200	50	48731	48741
NW40	4000	50	48732	48742

#### Type H10-T: for coordination with Tesys F contactors

			3P
In (A at 40 °C)		Icu (kA for U = 1150 V) - Ics = 100% Icu	
NW20 <sup>(1)</sup>	2000	50	48733
NW25 <sup>(1)</sup>	2500	50	48734

### Micrologic control unit - Micrologic P/H consult us

#### "ammeter" A

		3P/4P
Micrologic 2.0 A	basic protection	48358
Micrologic 5.0 A	selective protection	48360
Micrologic 6.0 A	selective + earth-fault protection	48361

<sup>(1)</sup> Incompatible with Micrologic 2.0 A.

### Basic switch-disconnector

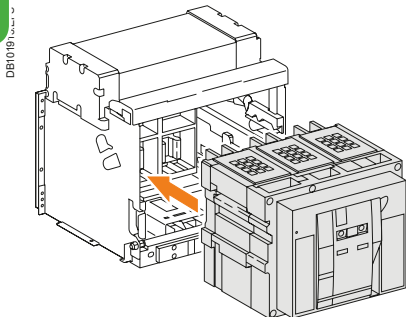
#### Type HA10

			3P	4P
In (A at 40°C)		Icm (kA peak for U = 1150 V)		
NW08	800	105	48745	48755
NW10	1000	105	48746	48756
NW12	1250	105	48747	48757
NW16	1600	105	48748	48758
NW20	2000	105	48749	48759
NW25	2500	105	48750	48760
NW32	3200	105	48751	48761
NW40	4000	105	48752	48762

A Masterpact 1000 V AC drawout switch-disconnector is described by 4 catalogue numbers corresponding to:

- the basic switch-disconnector
- a chassis
- a top connection
- a bottom connection.

A communication option and various auxiliaries and accessories may also be added.

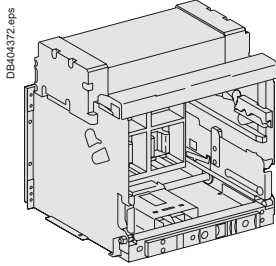


F

# NW08 to NW40 1000 V AC

## Drawout circuit breakers and switch-disconnectors

### Chassis and connections



DB404372 eps

#### Chassis

	3P	4P
<b>For type H10 and HA10</b>		
800-1600 A	48392	48404
2000 A	48393	48405
2500 A	48394	48406
3200 A	48395	48407
4000 A	48396	48408

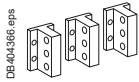
#### Communication option

	Chassis (I/O application module) +	Circuit breaker and switch-disconnector (BCM-ULP)
COM (BCM-ULP)	33852	48384
Eco COM (BCM-ULP)	33852	48385
IFE Ethernet interface for LV breaker	LV434001	
Ethernet interface for LV breakers and gateway	LV434002	
IFM Modbus-SL interface module	LV434000	
I/O application module	LV434063	

#### Chassis rear connection

	3P	4P
--	----	----

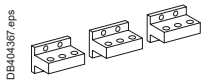
##### Vertical connection



DB404366 eps

800-2000 A	Top	48133	48158
	Bottom	48138	48163
2500/3200 A	Top	48134	48159
	Bottom	48139	48164
4000 A	Top	48135	48160
	Bottom	48140	48165

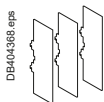
##### Horizontal connection



DB404367 eps

800-2000 A	Top	48143	48168
	Bottom	48148	48173
2500/3200 A	Top	48144	48169
	Bottom	48149	48174
4000 A	Top	48145	48170
	Bottom	48150	48175

##### Rear connection accessories



DB404368 eps

<b>Interphase barriers</b>			
3P/4P (3 parts)		48600	



# NW08 to NW40 with corrosion protection

## Circuit breakers

A Masterpact NW circuit breaker with corrosion protection is described by 3 catalogue numbers corresponding to:

- the basic circuit breaker
  - a Micrologic control unit
  - a chassis, complete with vertical rear connections as standard (convertible to horizontal rear connections on-site simply by rotating the connectors, except for the NW32, available with vertical rear connections only).
- The various auxiliaries and accessories for Masterpact NW rear-connected circuit breakers may be added. The auxiliary contacts should be "low level" type only.

### Basic circuit breaker

Type H2			3P	4P
	In (A at 55°C)	Icu (kA for U = 440 V)		
NW08	800	100	48620	48630
NW10	1000	100	48621	48631
NW12	1200	100	48622	48632
NW16	1600	100	48623	48633
NW20	2000	100	48624	48634
NW25	2500	100	48625	48635
NW32	3200	100	48626	48636
NW40b	4000	150	48627	48637

### Micrologic control unit

#### "ammeter" A

		3P/4P
Micrologic 2.0 A	basic protection	48358
Micrologic 5.0 A	selective protection	48360
Micrologic 6.0 A	selective + earth-fault protection	48361
Micrologic 7.0 A	selective + earth-leakage protection	48362

#### "energy" E

		3P/4P
Micrologic 2.0 E	basic protection	48498
Micrologic 5.0 E	selective protection	48499
Micrologic 6.0 E	selective + earth-fault protection	48500

#### "power meter" P

		3P/4P
Micrologic 5.0 P	selective protection	48363
Micrologic 6.0 P	selective + earth-fault protection	48364
Micrologic 7.0 P	selective + earth-leakage protection	48365

#### "harmonic meter" H

		3P/4P
Micrologic 5.0 H	selective protection	48366
Micrologic 6.0 H	selective + earth-fault protection	48367
Micrologic 7.0 H	selective + earth-leakage protection	48368

### Chassis with rear connections

	3P	4P
800-1250 A	48765	48770
1600-2000 A	48766	48771
2500 A	48767	48772
3200 A	48768	48773
4000 A	48769	48774

### Communication option

	Chassis (I/O application module) +	Circuit breaker (BCM-ULP)
COM (BCM-ULP)	33852	48384
Eco COM (BCM-ULP)	33852	48385
IFE	Ethernet interface for LV breaker	LV434001
	Ethernet interface for LV breakers and gateway	LV434002
IFM Modbus-SL interface module	LV434000	
I/O application module	LV434063	



# Retrofit solutions (\*)

## Connections for fixed devices

To replace a Masterpact M with a Masterpact NW, order a retrofit device (without connections) and select a set of connectors corresponding to the replaced device.

The Masterpact NW is installed in exactly the same place as the old Masterpact M device, without any modifications required on the switchboard.

### Horizontal rear connection

Device to be replaced		Connection to be ordered	
<b>Masterpact M08 to M12</b>			
Type N1/NI			
		3P	4P
Top	3 x	EF548951	4 x EF548951
Bottom	3 x	EF548964	4 x EF548964
Type H1/H2/HI/HF			
Top	3 x	EF548954	4 x EF548954
Bottom	3 x	EF548965	4 x EF548965
<b>Masterpact M16</b>			
Type N1/NI/H1/H2/HI/HF			
Top	3 x	EF548954	4 x EF548954
Bottom	3 x	EF548965	4 x EF548965
<b>Masterpact M20 and M25</b>			
Type N1/NI/H1/H2/HI/HF			
Top	3 x	EF548957	4 x EF548957
Bottom	3 x	EF548958	4 x EF548958
<b>Masterpact M32</b>			
Type H1/H2/HI/HF			
Top	1 x	EF548962	1 x EF548960
Bottom	1 x	EF548961	1 x EF548960

### Vertical rear connection

Device to be replaced		Connection to be ordered	
<b>Masterpact M08 to M12</b>			
Type N1/NI			
		3P	4P
Top	3 x	EF548952	4 x EF548952
Bottom	3 x	EF548952	4 x EF548952
Type H1/H2/HI/HF			
Top	3 x	EF548953	4 x EF548953
Bottom	3 x	EF548953	4 x EF548953
<b>Masterpact M16</b>			
Type N1/NI/H1/H2/HI/HF			
Top	3 x	EF548953	4 x EF548953
Bottom	3 x	EF548953	4 x EF548953
<b>Masterpact M20 and M25</b>			
Type N1/NI/H1/H2/HI/HF			
Top	3 x	EF548956	4 x EF548956
Bottom	3 x	EF548956	4 x EF548956
<b>Masterpact M32</b>			
Type H1/H2/HI/HF			
Top	1 x	EF548959	1 x EF548963
Bottom	1 x	EF548959	1 x EF548963

### Installation kits

Device to be replaced		kit to be ordered	
<b>Masterpact M08 to M12</b>			
Type N1/NI/H1/H2/HI/HF			
		3P	4P
	1 x	EF548927	1 x EF548927

### Power isolation kits (optional)

Device to be replaced		kit to be ordered	
<b>Masterpact M08 to M12</b>			
Type N1/NI/H1/H2/HI/HF			
		3P	4P
	1 x	EF548928	1 x EF548928

### Auxiliaries wires strand

Device to be replaced		kit to be ordered	
<b>Masterpact M08 to M12</b>			
Type N1/NI/H1/H2/HI/HF			
		3P	4P
	1 x	EF548930	1 x EF548930

(\*) For higher ratings (4000-6300 A) or for other Retrofit solutions, please contact Schneider Electric services.



# Retrofit solutions (\*)

## Connections for drawout devices

To replace a Masterpact M with a Masterpact NW, order a retrofit device (without connections) and select a set of connectors corresponding to the replaced device.

The Masterpact NW is installed in exactly the same place as the old Masterpact M device, without any modifications required on the switchboard.

### Horizontal rear connection

Device to be replaced		Connection to be ordered	
<b>Masterpact M08 to M12</b>			
Type N1/NI			
		<b>3P</b>	<b>4P</b>
Top	3 x	EF548951	4 x EF548951
Bottom	3 x	EF548964	4 x EF548964
Type H1/H2/HI/HF/L1			
Top	3 x	EF548954	4 x EF548954
Bottom	3 x	EF548965	4 x EF548965
<b>Masterpact M16</b>			
Type N1/NI/H1/H2/HI/HF/L1			
Top	3 x	EF548954	4 x EF548954
Bottom	3 x	EF548965	4 x EF548965
<b>Masterpact M20 and M25</b>			
Type N1/NI/H1/H2/HI/HF			
Top	3 x	EF548957	4 x EF548957
Bottom	3 x	EF548958	4 x EF548958
<b>Masterpact M32 neutral on left-hand side</b>			
Type H1/H2/HI/HF/M20/L1			
Top	1 x	EF548973	1 x EF548976
Bottom	1 x	EF548973	1 x EF548977
<b>Masterpact M32 neutral on right-hand side</b>			
Type H1/H2/HI/HF/M20/L1			
Top	1 x	EF548973	1 x EF548977
Bottom	1 x	EF548973	1 x EF548976

### Vertical rear connection

Device to be replaced		Connection to be ordered	
<b>Masterpact M08 to M12</b>			
Type N1/NI			
		<b>3P</b>	<b>4P</b>
Top	3 x	EF548966	4 x EF548966
Bottom	3 x	EF548966	4 x EF548966
Type H1/H2/HI/HF/L1			
Top	3 x	EF548969	4 x EF548969
Bottom	3 x	EF548969	4 x EF548969
<b>Masterpact M16</b>			
Type N1/NI/H1/H2/HI/HF/L1			
Top	3 x	EF548969	4 x EF548969
Bottom	3 x	EF548969	4 x EF548969
<b>Masterpact M20 and M25</b>			
Type N1/NI/H1/H2/HI/HF			
Top	3 x	EF548970	4 x EF548970
Bottom	3 x	EF548970	4 x EF548970
<b>Masterpact M32 and M20L1</b>			
Type H1/H2/HI/HF			
Top	1 x	EF548974	1 x EF548978
Bottom	1 x	EF548974	1 x EF548978

### Installation kits

Device to be replaced		kit to be ordered	
<b>Masterpact M08 to M32</b>			
Type N1/NI/H1/H2/HI/HF			
		<b>3P</b>	<b>4P</b>
	1 x	EF548927	1 x EF548927

### Power isolation kits (optional)

Device to be replaced		kit to be ordered	
<b>Masterpact M08 to M32</b>			
Type N1/NI/H1/H2/HI/HF			
		<b>3P</b>	<b>4P</b>
	1 x	EF548928	1 x EF548928

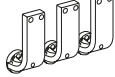

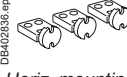
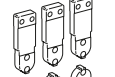
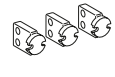
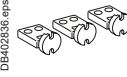

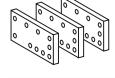
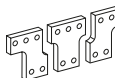


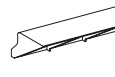
### Auxiliaries wires strand

Device to be replaced		kit to be ordered	
<b>Masterpact M08 to M32</b>			
Type N1/NI/H1/H2/HI/HF			
		<b>3P</b>	<b>4P</b>
	1 x	EF548930	1 x EF548930
	1 x	EF548929	1 x EF548929

(\*) For higher ratings (4000-6300 A) or for other Retrofit solutions, please contact Schneider Electric services.

# Masterpact NT

## Connection

Connection		3P	4P
<b>Fixed circuit breakers</b>			
<b>Front connection / Replacement kit (3 or 4 parts)</b>			
	Top or bottom	250/630-1600 A	47069   47070
	Installation manual		47102
<b>Rear connection (vertical or horizontal mounting) / Replacement kit (3 or 4 parts)</b>			
 		250/630-1600 A	33584   33585
	Vert. mounting. Horiz. mounting.	Installation manual 47102	
<b>Drawout circuit breakers</b>			
<b>Front connection / Replacement kit (6 or 8 parts)</b>			
	Top and bottom	250/630-1600 A	33588   33589
	Installation manual		47102
<b>Rear connection (vertical or horizontal mounting) / Replacement kit (3 or 4 parts)</b>			
 		250/630-1600 A	33586   33587
	Vert. mounting. Horiz. mounting.	Installation manual 47102	
<b>Connection accessories</b>			
<b>Vertical connection adapters 250/630-1600 A / Replacement kit (3 or 4 parts)</b>			
	For fixed and drawout front-connected circuit breakers		33642   33643
	Installation manual		47102
<b>Cable lug adapters 250/630-1600 A / Replacement kit (3 or 4 parts)</b>			
	For fixed and drawout front-connected circuit breakers		33644   33645
	Installation manual		47102
<b>Spreaders / Replacement kit 250/630-1600 A (3 or 4 parts)</b>			
	For fixed and drawout front and rear-connected circuit breakers		33622   33623
	Installation manual		47102
<b>Interphase barriers / Replacement kit (3 parts)</b>			
	For fixed front and rear-connected circuit breakers (take 2 kits : 1 for the top, 1 for the bottom connections)		33648   33648
	For drawout rear-connected circuit breakers (the same kit covers the top and the bottom connections on the same time)		33768   33768
	Installation manual		47102
	<b>Arc chute screen (1 part)</b>		
	For fixed front-connected circuit breakers		47335   47336
	Installation manual		47102

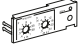


# Masterpact NT

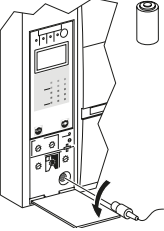
## Micrologic control unit, communication option, accessories

### Replacement parts for Micrologic control units

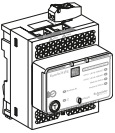
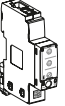

#### Long-time rating plug (limits setting range for higher accuracy) / 1 part

	Standard	0.4 at 1 x Ir	33542
	Low-setting option	0.4 at 0.8 x Ir	33543
	High-setting option	0.8 at 1 x Ir	33544
	Without long-time protection	off	33545

#### Battery + cover

	Battery (1 part)		33593
	Cover (1 part)	For Micrologic A, E	33592
		For Micrologic P and H	47067

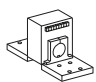
### Communication option

	IFE	Ethernet interface LV breaker	LV434001
		Ethernet interface for LV breakers and gateway	LV434002
	IFM Modbus-SL interface module		LV434000
	I/O application module		LV434063
	6 wires terminals drawout (1 part)		33099
	6 wires terminals fixed (1 part)		47075
	User guide IFE		DOCA0084EN-00
	User guide I/O application module		DOCA0055EN-00

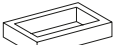
### Accessories

#### External sensors

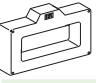
##### External sensor for earth-fault protection (TCE) / 1 part

	Sensor rating	400/1600 A	33576
---	---------------	------------	-------

##### Source ground return (SGR) earth-fault protection / 1 part

	External sensor (SGR)		33579
	MDGF summing module		48891

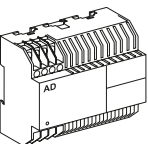
##### Rectangular sensor for earth-leakage protection + Vigi cable / 1 part

	280 mm x 115 mm / L1		56053
---	----------------------	--	-------

##### Vigi cable or external voltage cable / 1 part

Vigi cable or external voltage cable (1 part)	47090
---	-------


##### External power supply module (AD) / 1 part

	24-30 V DC	54440
	48-60 V DC	54441
	100-125 V DC	54442
	110-130 V AC	54443
	200-240 V AC	54444
	380-415 V AC	54445

##### Battery module (BAT) / 1 part

	1 battery	24 V DC	54446
---	-----------	---------	-------

##### Test equipments / 1 part

	Hand held test kit (HHTK)	33594
	Full function test kit (FFTK)	33595
	Test report edition come from FFTK	34559
	FFTK test cable 2 pin for STR trip unit	34560
	FFTK test cable 7 pin for Micrologic trip unit	33590

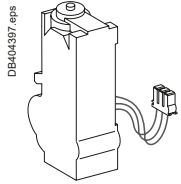
F

# Masterpact NT

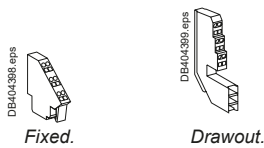
## Remote operation

### Remote operation

#### Gear motor

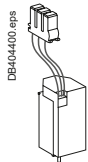


<b>MCH (1 part)</b>			
AC 50/60 Hz	48 V		<b>33186</b>
	100/130 V		<b>33176</b>
	200/240 V		<b>33177</b>
	277/415 V		<b>33179</b>
	440/480 V		<b>33179</b>
	+ resistor		<b>33193</b>
DC	24/30 V		<b>33185</b>
	48/60 V		<b>33186</b>
	100/125 V		<b>33187</b>
	200/250 V		<b>33188</b>
Terminal block (1 part)	For fixed circuit breaker		<b>47074</b>
	For drawout circuit breaker		<b>33098</b>

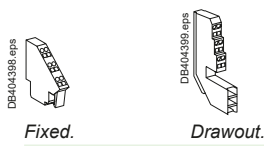


Installation manual			<b>47103</b>
---------------------	--	--	--------------

#### Closing and opening release (XF or MX)

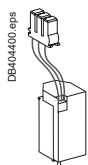


<b>Standard coil (1 part)</b>			
AC 50/60 Hz	12 V DC		<b>33658</b>
	24/30 V DC, 24 V AC		<b>33659</b>
	48/60 V DC, 48 V AC		<b>33660</b>
	100/130 V AC/DC		<b>33661</b>
	200/250 V AC/DC		<b>33662</b>
	277 V AC		<b>33663</b>
DC	380/480 V AC		<b>33664</b>
<b>Communicating coil (1 part)</b>			
AC 50/60 Hz	12 V DC		<b>33032</b>
	24/30 V DC, 24 V AC		<b>33033</b>
	48/60 V DC, 48 V AC		<b>33034</b>
	100/130 V AC/DC		<b>33035</b>
	200/250 V AC/DC		<b>33036</b>
	277 V AC		<b>33037</b>
DC	380/480 V AC		<b>33038</b>
Terminal block (1 part)	For fixed circuit breaker		<b>47074</b>
	For drawout circuit breaker		<b>33098</b>

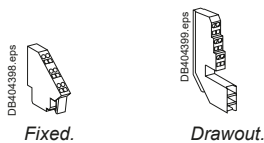


Installation manual			<b>47103</b>
---------------------	--	--	--------------

#### Undervoltage release MN

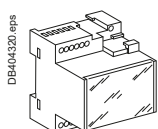


<b>Undervoltage release (1 part)</b>			
AC 50/60 Hz	24/30 V DC, 24 V AC		<b>33668</b>
	48/60 V DC, 48 V AC		<b>33669</b>
	100/130 V AC/DC		<b>33670</b>
	200/250 V AC/DC		<b>33671</b>
	380/480 V AC		<b>33673</b>
DC			
Terminal block (1 part)	For fixed circuit breaker		<b>47074</b>
	For drawout circuit breaker		<b>33098</b>



Installation manual			<b>47103</b>
---------------------	--	--	--------------

#### MN delay unit



<b>MN delay unit (1 part)</b>			
AC 50/60 Hz	48/60 V AC/DC	R (non-adjustable)	Rr (adjustable)
			<b>33680</b>
		<b>33684</b>	<b>33681</b>
		<b>33685</b>	<b>33682</b>
DC	100/130 V AC/DC		<b>33683</b>
			<b>33683</b>
DC	200/250 V AC/DC		<b>33683</b>
			<b>33683</b>
DC	380/480 V AC/DC		<b>33683</b>
			<b>33683</b>
Installation manual			<b>47103</b>

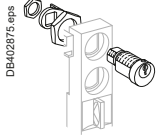


# Masterpact NT

## Chassis locking and accessories

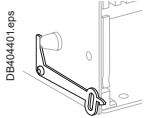
### Chassis locking

#### "Disconnected" position locking / 1 part



By padlocks		
VCPO		Standard
By Profalux keylocks		
Profalux	1 lock with 1 key + adaptation kit	64909
	2 locks 1 key + adaptation kit	64910
	2 locks 2 different keys + adaptation kit	64911
1 keylock Profalux (without adaptation kit):	identical key not identified combination	33173
	identical key identified 215470 combination	33174
	identical key identified 215471 combination	33175
By Ronis keylocks		
Ronis	1 lock with 1 key + adaptation kit	64912
	2 locks 1 key + adaptation kit	64913
	2 locks 2 different keys + adaptation kit	64914
1 keylock Ronis (without adaptation kit):	identical key not identified combination	33189
	identical key identified EL24135 combination	33190
	identical key identified EL24153 combination	33191
	identical key identified EL24315 combination	33192
Adaptation kit (without keylock):	adaptation kit Profalux	33769
	adaptation kit Ronis	33770
	adaptation kit Castell	33771
	adaptation kit Kirk	33772
Installation manual		47104

#### Door interlock / 1 part



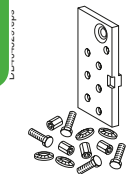
Right and left-hand side of chassis (VPECD or VPECG)		33172
Installation manual		47104

#### Racking interlock / 1 part



Racking interlock (VPOC)		33788
Installation manual		47104

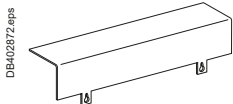
#### Breaker mismatch protection / 1 part



Breaker mismatch protection (VDC)		33767
Installation manual		47104

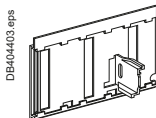
### Chassis accessories

#### Auxiliary terminal shield (CB) / 1 part



Terminal shield	3P	33763
	4P	33764
Installation manual		47104

#### Safety shutters + locking / 1 part

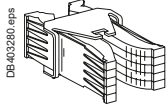


Safety shutters (VO)	3P	33765S
	4P	33766S
Installation manual		47104

*Note: the locking of safety shutters is integrated.*

# Masterpact NT Clusters

## Clusters



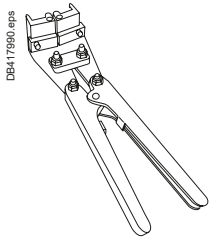
1 disconnecting contact cluster for chassis (see table below) 1 part

64906S

**Table : number of clusters required for the different chassis models**

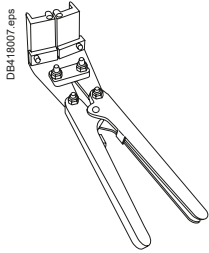
Chassis rating (A)	Masterpact NT	
	3P	4P
250	12	18
630	12	18
800	12	18
1000	12	18
1250	12	18
1600	18	24

**Note:** the minimum order is 6 parts.

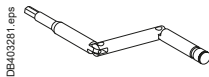


Set of 2 clusters fitters for 2 and 3 clusters

47554



## Racking handle / 1 part



Racking handle

47098



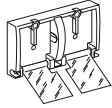
# Masterpact NT

## Circuit breaker locking and accessories

### Circuit breaker locking

#### Pushbutton locking device / 1 part

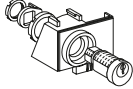
DB404337.eps



By padlocks		<b>33897</b>
Installation manual		<b>47103</b>

#### OFF position locking / 1 part

DB402862.eps



<b>By padlocks + BPFE support</b>		
		<b>47514</b>
<b>By Profalux keylocks + BPFE support</b>		
Profalux	1 lock with 1 key + adaptation kit	<b>64918</b>
	2 locks 1 key + adaptation kit	<b>64919</b>
1 keylock Profalux (without adaptation kit):	identical key not identified combination	<b>33173</b>
	identical key identified 215470 combination	<b>33174</b>
	identical key identified 215471 combination	<b>33175</b>
<b>By Ronis keylocks + BPFE support</b>		
Ronis	1 lock with 1 key + adaptation kit	<b>64920</b>
	2 locks 1 key + adaptation kit	<b>64921</b>
1 keylock Ronis (without adaptation kit):	identical key not identified combination	<b>33189</b>
	identical key identified EL24135 combination	<b>33190</b>
	identical key identified EL24153 combination	<b>33191</b>
	identical key identified EL24315 combination	<b>33192</b>
Adaptation kit (without keylock):	adaptation kit Profalux	<b>47515</b>
	adaptation kit Ronis	<b>47516</b>
	adaptation kit Kirk	<b>47517</b>
	adaptation kit Castell	<b>47518</b>
Installation manual		<b>47103</b>

### Other circuit breaker accessories

#### Mechanical operation counter / 1 part

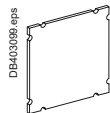
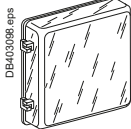
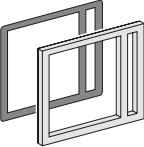
DB125817.eps



Operation counter CDM		<b>33895</b>
Installation manual		<b>47103</b>

#### Escutcheon and accessories / 1 part

DB403098.eps

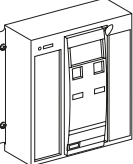


	Fixed	Drawout
Escutcheon	<b>33718</b>	<b>33857</b>
Transparent cover (IP54)		<b>33859</b>
Escutcheon blanking plate		<b>33858</b>

Escutcheon			Installation manual	<b>47103</b>
------------	--	--	---------------------	--------------

#### Front cover (3P / 4P) / 1 part

DB404404.eps



Front cover		<b>47094</b>
Installation manual		<b>47103</b>

#### Spring charging handle / 1 part

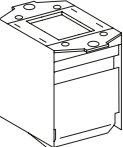
DB404415.eps



Spring charging handle		<b>47092S</b>
Installation manual		<b>47103</b>

#### Arc chute for Masterpact NT / 1 part

DB404405.eps



		3P		4P
Type H1/H2/HA	3 x	<b>LV846737SP</b>	4 x	<b>LV846737SP</b>
Type L1	3 x	<b>47095S</b>	4 x	<b>47095S</b>
Installation manual				<b>47103</b>

F



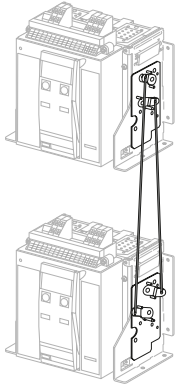
# Masterpact NT

## Mechanical interlocking for source changeover

### Mechanical interlocking for source changeover

#### Interlocking using connecting rods

DB40407.eps



Complete assembly with 2 adaptation fixtures + rods

2 Masterpact NT fixed devices

2 Masterpact NT drawout devices

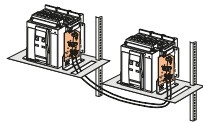
**Note:** the installation manual is enclosed.

33912

33913

#### Interlocking using cables <sup>(1)</sup>

DB418840.eps



Choose 2 adaptation fixtures (1 for each breaker) + 1 set of cables

1 adaptation fixture for Masterpact NT fixed devices

1 adaptation fixture for Masterpact NT drawout devices

1 set of 2 cables

**(1)** Can be used with any combination of NT or NW, fixed or drawout devices.

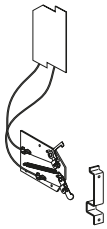
33200

33201

33209

#### Cable-type door interlock

DB402887.eps



1 complete assembly for Masterpact NT fixed devices

1 complete assembly for Masterpact NT drawout devices

**Note:** the installation manual is enclosed.

33920

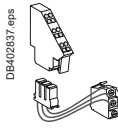
33921

# Masterpact NT

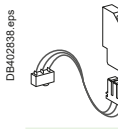
## Indication contacts

### Indication contacts

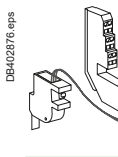
#### ON/OFF indication contacts (OF) / 1 part

	Changeover contacts (6 A - 240 V)	47076	
	1 low-level OF to replace 1 standard OF (4 max.)	47077	
	Wiring	47074	
		For fixed circuit breaker	33098
		For drawout circuit breaker	47103

#### "Fault trip" indication contacts (SDE) / 1 part

	1 additional SDE (6 A - 240 V)	47078	
	1 additional low-level SDE	47079	
	Wiring	47074	
		For fixed circuit breaker	33098
		For drawout circuit breaker	47103

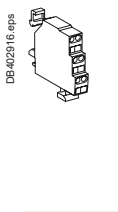
#### "Ready to close" contact (1 max.) / 1 part

		PF
	1 changeover contact (6 A - 240 V)	47080
	1 low-level changeover contact	47081
	Wiring	47074
		For fixed circuit breaker
	For drawout circuit breaker	47103

#### Electrical closing pushbutton / 1 part

		BPFE
	1 pushbutton	64917
	Installation manual	47103

#### Carriage switches (connected / disconnected / test position) / 1 part

	<b>Changeover contacts (6 A - 240 V)</b>	
	1 connected position contact (3 max.)	33170
	1 test position contact (1 max.)	33170
	1 disconnected position contact (2 max.)	33170
	<b>And/or low-level changeover contacts</b>	
	1 connected position contact (3 max.)	33171
	1 test position contact (1 max.)	33171
	1 disconnected position contact (2 max.)	33171

#### Auxiliary terminals for chassis alone

	3 wire terminal (1 part), terminal block (1 part)	33098
	6 wires terminals drawout (1 part)	33099
	Jumpers (10 parts)	47900
	Installation manual	47104

F

# Masterpact NT


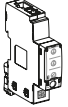
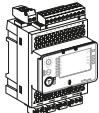
## Instructions

Instructions		
Chassis accessories		47104
Circuit breaker accessories		47103
Fixed and drawout circuit breaker		47102
Micrologic user manual	20/50 (French)	33076
	20/50 (English)	33077
	2A/7A (French)	33079
	2A/7A (English)	33080
	2E/6E (French)	33079
	2E/6E (English)	33080
	5P/7P (French)	33082
	5P/7P (English)	33083
	5H/7H (French)	33085
	5H/7H (English)	33086
NT user manual	French	47106
	English	47107
Modbus communication notice for manual		33088



# Communication, monitoring and control, for NT/NW

## Communication option

	IFE	Ethernet interface for LV breaker	LV434001
		Ethernet interface for LV breakers and gateway	LV434002
	IFM Modbus-SL interface module		LV434000
	I/O application module		LV434063
	6 wires terminals drawout (1 part)		47850
	6 wires terminals fixed (1 part)		47075
	User guide IFE		DOCA0084EN-00
	User guide I/O application module		DOCA0055EN-00

## Monitoring and control


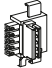

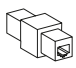
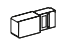

### ULP display module <sup>(1)</sup>

	Switchboard front display module FDM121	TRV00121
	FDM mounting accessory (diameter 22 mm)	TRV00128

### Ethernet display module

	Switchboard front display module FDM128	LV434128
--	---	----------

### ULP wiring accessories

	Breaker ULP cord L = 0.35 m	LV434195
	Breaker ULP cord L = 1.3 m	LV434196
	Breaker ULP cord L = 3 m	LV434197
	10 stacking connectors for communication interface modules	TRV00217
	2 Modbus line terminators	VW3A8306DRC <sup>(2)</sup>
	5 RJ45 connectors female/female	TRV00870
	10 ULP line terminators	TRV00880
	10 RJ45/RJ45 male cord L = 0.3 m	TRV00803
	10 RJ45/RJ45 male cord L = 0.6 m	TRV00806
	5 RJ45/RJ45 male cord L = 1 m	TRV00810
	5 RJ45/RJ45 male cord L = 2 m	TRV00820
	5 RJ45/RJ45 male cord L = 3 m	TRV00830
	1 RJ45/RJ45 male cord L = 5 m	TRV00850

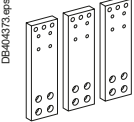
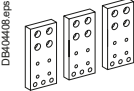
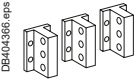
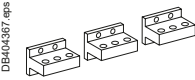
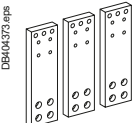
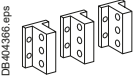
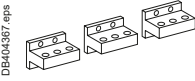
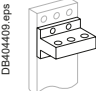
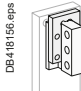
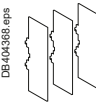
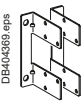

<sup>(1)</sup> For measurement display with Micrologic A, E, P and H.

<sup>(2)</sup> See Telemecanique catalogue.

F

# Masterpact NW Connection

## Connection

			3P	4P
<b>Fixed circuit breakers</b>				
<b>Front connection / Replacement kit (3 or 4 parts)</b>				
	800-1600 A	Top	47990	47991
	2000/3200 A	Top	47992	47993
	800-1600 A	Bottom	47932	47933
	2000/3200 A	Bottom	47942	47943
Installation manual			47950	
<b>Rear connection (vertical or horizontal mounting) / Replacement kit (3 or 4 parts)</b>				
	800-2000 A	Vertical	47964	47965
		Horizontal	47964	47965
	2500/3200 A	Vertical	47966	47967
		Horizontal	47966	47967
<p>Vertical mounting</p>	4000 A	Vertical	47968	47969
		Horizontal	47970	47971
<p>Horizontal mounting</p>	4000b/5000 A	Vertical	2x 47966	2x 47967
		Horizontal	2x 47966	2x 47967
	6300 A	Vertical	2x 47968	2x 47969
Installation manual			47950	
<b>Drawout circuit breakers</b>				
<b>Front connection / Replacement kit (3 or 4 parts)</b>				
	800-1600 A	Top or bottom	47960	47961
	2000/3200 A	Top or bottom	47962	47963
Installation manual			47950	
<b>Rear connection (vertical or horizontal mounting) / Replacement kit (3 or 4 parts)</b>				
	800-2000 A types N1/H1/H2	Vertical	47964	47965
	800-1600 A types H3/L1	Horizontal	47964	47965
	2500/3200 A types H1/H2	Vertical	47966	47967
	2000/3200 A types H3/L1	Horizontal	47966	47967
<p>Vertical mounting</p>	4000 A	Vertical	47968	47969
		Horizontal	47970	47971
<p>Horizontal mounting</p>	4000b/5000 A	Vertical	2x 47966	2x 47967
		Horizontal	2x 47966	2x 47967
	6300 A	Vertical	2x 47968	2x 47969
Installation manual			47950	
<b>Connection accessories</b>				
<b>Disconnectable front-connection adapter for fixed circuit breaker (3 or 4 parts)</b>				
 	1600 A		48464	48466
	2000/3200 A		48465	48467
Installation manual			Notice inside the kit	
<b>Interphase barriers / Replacement kit (3 parts)</b>				
	For fixed rear-connected circuit breaker		48599	48599
	For drawout rear-connected circuit breaker		48600	48600
Installation manual			47950	
<b>Additional support brackets for mounting on a backplate</b>				
	For fixed rear-connected circuit breaker (2 parts)			47829
<b>Grounding kit KTM</b>				
	Grounding kit for Masterpact NW fixed			
	Side plate kit			48556
	Device earthing kit			48557
Grounding kit for Masterpact NW drawout			48557	



# Masterpact NW

## Micrologic control unit, communication option, accessories

### Replacement parts for Micrologic control units

#### Long-time rating plug (limits setting range for higher accuracy) / 1 part

DB404384.eps

Standard	0.4 at 1 x Ir	33542
Low-setting option	0.4 at 0.8 x Ir	33543
High-setting option	0.8 at 1 x Ir	33544
Without long-time protection	off	33545

#### Battery + cover

DB604395.eps

Battery (1 part)		33593
Cover (1 part)	For Micrologic A, E	33592
	For Micrologic P and H	47067

### Communication option

DB423668.eps

IFE	Ethernet interface for LV breaker	LV434001
	Ethernet interface for LV breakers and gateway	LV434002

DB423706.eps

IFM Modbus-SL interface module	LV434000
I/O application module	LV434063

DB623669.eps

User guide IFE	DOCA0084EN-00
User guide I/O application module	DOCA0055EN-00

### Accessories

#### External sensors

##### External sensor for earth-fault protection (TCE) / 1 part

DB404381.eps

Sensor rating	400/2000 A	34035
	1000/4000 A	34036
	4000/6300 A	48182

##### Source ground return (SGR) earth-fault protection / 1 part

DB404382.eps

External sensor (SGR)	33579
MDGF summing module	48891

##### Rectangular sensor for earth-leakage protection + Vigi cable / 1 part (up to 3200 A)

DB1126100.eps

280 mm x 115 mm / L1	56053
470 mm x 160 mm / L2	56054

##### Vigi cable or external voltage cable / 1 part

Vigi cable or external voltage cable	47090
--------------------------------------	-------

##### External power supply module (AD) / 1 part

DB105360.eps

24-30 V DC	54440
48-60 V DC	54441
100-125 V DC	54442
110-130 V AC	54443
200-240 V AC	54444
380-415 V AC	54445

##### Battery module (BAT) / 1 part

DB604386.eps

1 battery	24 V DC	54446
-----------	---------	-------

##### Test equipments / 1 part

DB404385.eps

Hand held test kit (HHTK)	33594
Full function test kit (FFTK)	33595
Test report edition come from FFTK	34559
FFTK test cable 2 pin for STR trip unit	34560
FFTK test cable 7 pin for Micrologic trip unit	33590

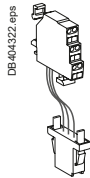
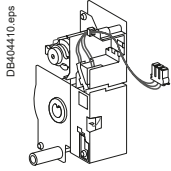
F

# Masterpact NW

## Remote operation

### Remote operation

#### Gear motor



Fixed.

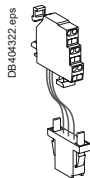
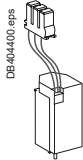
Drawout.

#### MCH (1 part)

AC 50/60 Hz	48 V	47889
	100/130 V	47893
	200/240 V	47894
	250/277 V	47895
	380/415 V	47896
	440/480 V	47897
DC	24/30 V	47888
	48/60 V	47889
	100/125 V	47890
	200/250 V	47891
Terminal block (1 part)	For fixed circuit breaker	47074
	For drawout circuit breaker	47849

Installation manual	47951
---------------------	-------

#### Closing and opening release (XF or MX)



Fixed.

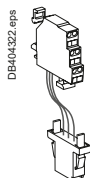
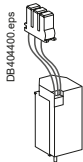
Drawout.

<b>Standard coil (1 part)</b>		
AC 50/60 Hz	12 V DC	33658
	24/30 V DC, 24 V AC	33659
DC	48/60 V DC, 48 V AC	33660
	100/130 V AC/DC	33661
	200/250 V AC/DC	33662
	277 V AC	33663
	380/480 V AC	33664

<b>Communicating coil (1 part)</b>		
AC 50/60 Hz	12 V DC	33032
	24/30 V DC, 24 V AC	33033
DC	48/60 V DC, 48 V AC	33034
	100/130 V AC/DC	33035
	200/250 V AC/DC	33036
	277 V AC	33037
	380/480 V AC	33038
	Terminal block (1 part)	For fixed circuit breaker
	For drawout circuit breaker	47849

Installation manual	47951
---------------------	-------

#### Undervoltage release MN



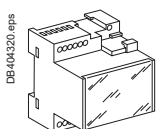
Fixed.

Drawout.

<b>Undervoltage release (1 part)</b>		
AC 50/60 Hz	24/30 V DC, 24 V AC	33668
	48/60 V DC, 48 V AC	33669
DC	100/130 V AC/DC	33670
	200/250 V AC/DC	33671
	380/480 V AC	33673
	Terminal block (1 part)	For fixed circuit breaker
	For drawout circuit breaker	47849

Installation manual	47951
---------------------	-------

#### MN delay unit



<b>MN delay unit (1 part)</b>			
AC 50/60 Hz	48/60 V AC/DC	R (non-adjustable)	Rr (adjustable)
	100/130 V AC/DC	33684	33681
	200/250 V AC/DC	33685	33682
	380/480 V AC/DC		33683
DC			33683
Installation manual			47951

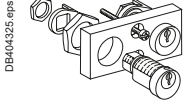
F

# Masterpact NW

## Chassis locking and accessories

### Chassis locking

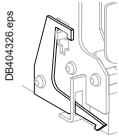
#### "Disconnected" position locking / 1 part



DB404325.eps

By padlocks		
	VCPO	Standard
By Profalux keylocks		
Profalux	1 lock with 1 key + adaptation kit	64934
	2 locks 1 key + adaptation kit	64935
	2 locks 2 different keys + adaptation kit	64936
1 keylock Profalux (without adaptation kit):	identical key not identified combination	33173
	identical key identified 215470 combination	33174
	identical key identified 215471 combination	33175
By Ronis keylocks		
Ronis	1 lock with 1 key + adaptation kit	64937
	2 locks 1 key + adaptation kit	64938
	2 locks 2 different keys + adaptation kit	64939
1 keylock Ronis (without adaptation kit):	identical key not identified combination	33189
	identical key identified EL24135 combination	33190
	identical key identified EL24153 combination	33191
	identical key identified EL24315 combination	33192
Adaptation kit (without keylock):	adaptation kit Profalux / Ronis	48564
	adaptation kit Kirk	48565
	adaptation kit Castell	48566
Installation manual		47952

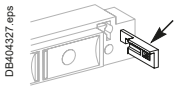
#### Door interlock / 1 part



DB404326.eps

Right and left-hand side of chassis (VPECD or VPECG)	47914
Installation manual	47952

#### Racking interlock



DB404327.eps

5 parts	64940
Installation manual	47952

#### Breaker mismatch protection / 1 part

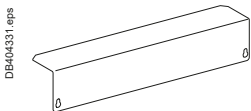


DB404328.eps

Breaker mismatch protection (VDC)	33767
Installation manual	47952

### Chassis accessories

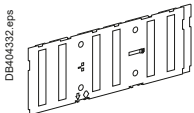
#### Auxiliary terminal shield (CB) / 1 part



DB404331.eps

800/4000 A	3P	64942
	4P	48596
4000b/6300 A	3P	48597
	4P	48598

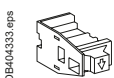
#### Safety shutters + locking block / 1 part



DB404332.eps

800/4000 A	3P	48721S
	4P	48723S
4000b/6300 A	3P	48722S
	4P	48724S
Installation manual		47952S

#### Shutter locking block (for replacement) / 1 part



DB404333.eps

2 parts for 800/4000 A	48591S
Installation manual	47952

#### Earthing kit for chassis

3P	4P
----	----

#### Types for N1/H1/NA/HA

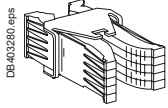
48433	48434
-------	-------

Note: the installation manual is enclosed.



# Masterpact NW Clusters

## Clusters



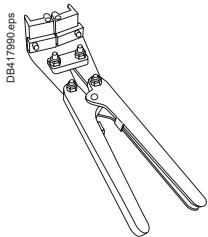
1 disconnecting contact cluster for chassis (see table below) (part 1)

64906S

**Table : number of clusters required for the different chassis models**

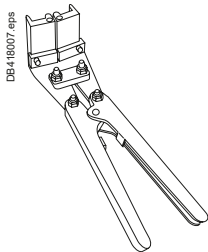
Chassis rating (A)	Masterpact NW 3P				Masterpact NW 4P			
	N1	H1/H2	H3	L1	N1	H1/H2	H3	L1
250		12 (H1)						
630	6	12		24	8	16		32
800	6	12		24	8	16		32
1000	6	12		24	8	16		32
1250	6	12		24	8	16		32
1600	12	12		24	16	16		32
2000		24	24	42		32	32	56
2500		24	24			32	32	
3200		36	36			48	48	
4000		42	42			56	56	
4000b		72				96		
5000		72				96		
6300		72				96		

**Note:** the minimum order is 6 parts.



Set of 2 clusters fitters for 2 and 3 clusters

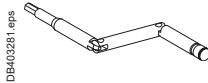
4754S



## Racking handle

Racking handle

47944

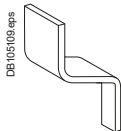


## DC rear connection

### Serial connection kit

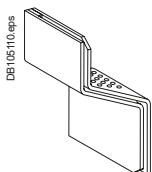
For NW10/20 DC

48642



For NW40 DC

48643



F

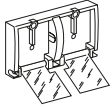
# Masterpact NW

## Circuit breaker locking and accessories

### Circuit breaker locking

#### Pushbutton locking device / 1 part

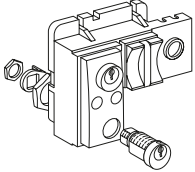
DB40437.eps



By padlocks	48536
Installation manual	47951

#### OFF position locking / 1 part

DB40441.eps



<b>By padlocks</b>		48539
<b>By Profalux keylocks</b>		
Profalux	1 lock with 1 key + adaptation kit	64928
	2 locks 1 key + adaptation kit	64929
	2 locks 2 different keys + adaptation kit	64930
1 keylock Profalux (without adaptation kit):	identical key not identified combination	33173
	identical key identified 215470 combination	33174
	identical key identified 215471 combination	33175
<b>By Ronis keylocks</b>		
Ronis	1 lock with 1 key + adaptation kit	64931
	2 locks 1 key + adaptation kit	64932
	2 locks 2 different keys + adaptation kit	64933
1 keylock Ronis (without adaptation kit):	identical key not identified combination	33189
	identical key identified EL24135 combination	33190
	identical key identified EL24153 combination	33191
	identical key identified EL24315 combination	33192
Adaptation kit (without keylock):	adaptation kit Profalux / Ronis	64925
	adaptation kit Kirk	64926
	adaptation kit Castell	64927
Installation manual	47951	

### Other circuit breaker accessories

#### Mechanical operation counter / 1 part

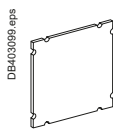
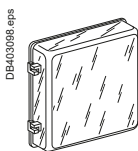
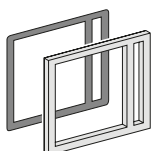
DB128617.eps



Operation counter CDM	48535
Installation manual	47951

#### Escutcheon and accessories / 1 part

DB40398.eps

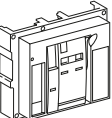


	Fixed	Drawout
Escutcheon	48601	48603
Transparent cover (IP 54)		48604
Escutcheon blanking plate	48605	48605

Escutcheon	Cover	Blanking plate	Installation manual	47951
------------	-------	----------------	---------------------	-------

#### Front cover (3P / 4P) / 1 part

DB40442.eps



Front cover	47939
Installation manual	47951

#### Spring charging handle / 1 part

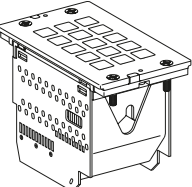
DB40443.eps



Spring charging handle	47940S
Installation manual	47951

#### Arc chute for Masterpact NW / 1 part

DB40444.eps



	3P	4P
Type N1/NA/HF	3 x 47935S	4 x 47935S
Type H1/H2/HA (NW08 to NW40)	3 x 47935S	4 x 47935S
Type H1/H2/HA (NW40b to NW63)	6 x 47936S	8 x 47936S
Type H3/H10/HA10	3 x 47936S	4 x 47936S
Type L1	3 x 47937S	4 x 47937S
Type NW DC	3 x 47934S	4 x 47934S
Installation manual	47951	47951

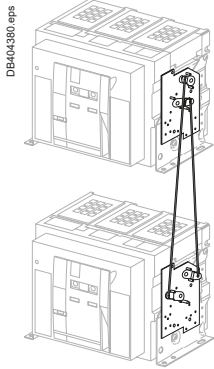
F

# Masterpact NW

## Mechanical interlocking for source changeover

### Mechanical interlocking for source changeover

#### Interlocking of 2 devices using connecting rods



Complete assembly with 2 adaptation fixtures + rods

2 Masterpact NW fixed devices

48612

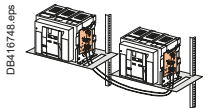
2 Masterpact NW drawout devices

48612

Can be used with 1 NW fixed + 1 NW drawout.

**Note:** the installation manual is enclosed.

#### Interlocking of 2 devices using cables (\*)



Choose 2 adaptation sets (1 for each device + 1 set of cables)

1 adaptation fixture for Masterpact NW fixed devices

47926

1 adaptation fixture for Masterpact NW drawout devices

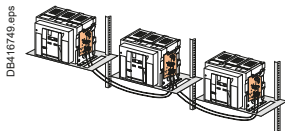
47926

1 set of 2 cables

33209

(\*) Can be used with any combination of NT or NW, fixed or drawout devices.

#### Interlocking of 3 devices using cables



Choose 3 adaptation (including 3 adaptation fixtures + cables)

3 sources, only 1 device closed, fixed or drawout devices

48610

2 sources + 1 coupling, fixed or drawout devices

48609

2 normal + 1 replacement source, fixed or drawout devices

48608

#### Cable-type door interlock

1 complete assembly for Masterpact NW fixed or drawout device

48614

**Note:** the installation manual is enclosed.

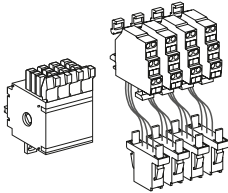
# Masterpact NW

## Indication contacts

### Indication contacts

#### ON/OFF indication contacts (OF) / 12 parts

DB404321.eps

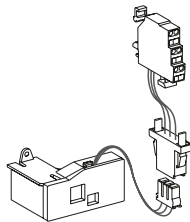


1 additional block of 4 contacts	<b>64922</b>
Wiring	For fixed circuit breaker <b>47074</b>
	For drawout circuit breaker <b>47849</b>

Installation manual	<b>47951</b>
---------------------	--------------

#### "Fault trip" indication contacts (SDE) / 1 part

DB404323.eps

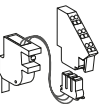


Changeover contact (SDE)	6 A - 240 V	<b>47915</b>
	Low-level	<b>47916</b>
Wiring	For fixed circuit breaker	<b>47074</b>
	For drawout circuit breaker	<b>47849</b>

Installation manual	<b>47951</b>
---------------------	--------------

#### "Ready to close" contact (1 max.) / 1 part

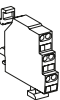
DB40415.eps



1 changeover contact (5 A - 240 V)	<b>PF</b>
1 low-level changeover contact	<b>47080</b>
Wiring	For fixed circuit breaker <b>47081</b>
	For drawout circuit breaker <b>47074</b>
	<b>47849</b>
Installation manual	<b>47951</b>

#### "Connected, disconnected, test position" indication contact (carriage switches) / 1 part

DB404324.eps



Changeover contacts	6 A - 240 V	<b>33170</b>
CE, CD, CT	Low-level	<b>33171</b>

Installation manual	<b>47952</b>
---------------------	--------------

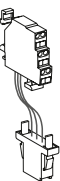
#### Set of additional actuators for carriage switches / 1 set

1 set	<b>48560</b>
-------	--------------

F

#### Combined closed / connected contacts for use with 1 auxiliary contact / 1 part

DB404322.eps

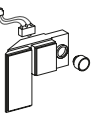


1 contact (5 A - 240 V)	<b>48477</b>
or 1 low-level contact	<b>48478</b>

Installation manual	<b>47952</b>
---------------------	--------------

#### Electrical closing pushbutton / 1 part

DB404319.eps



1 pushbutton	<b>BPFE</b>
	<b>48534</b>

Installation manual	<b>47951</b>
---------------------	--------------

#### Auxiliary terminals for chassis alone

3 wire terminal (1 part)	<b>47849</b>
6 wire terminal (1 part)	<b>47850</b>
Jumpers (10 parts)	<b>47900</b>

# Masterpact NW


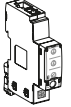
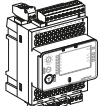
## Instructions

Instructions		
Chassis accessories		47952
Circuit breaker accessories		47951
Fixed and drawout circuit breaker		47950
User manual	NW AC (French)	47954
	NW AC (English)	47955
	NW DC (French)	64923
	NW DC (English)	64924
Micrologic user manual	20/50 (French)	33076
	20/50 (English)	33077
	2A/7A (French)	33079
	2A/7A (English)	33080
	2E/6E (French)	33079
	2E/6E (English)	33080
	5P/7P (French)	33082
	5P/7P (English)	33083
	5H/7H (French)	33085
	5H/7H (English)	33086
Modbus communication notice for manual		33088



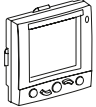
# Communication, monitoring and control

## Communication option

 DB423689.eps	IFE	Ethernet interface for LV breaker	LV434001
		Ethernet interface for LV breakers and gateway	LV434002
 DB425706.eps	IFM Modbus-SL interface module		LV434000
	I/O application module		LV434063
 DB425689.eps	User guide IFE		DOCA0084EN-00
	User guide I/O application module		DOCA0055EN-00

## Monitoring and control


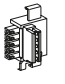

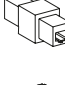
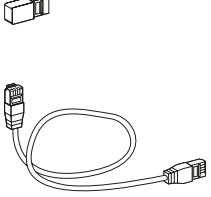
### ULP display module <sup>(1)</sup>

 DB111440.eps	Switchboard front display module FDM121	TRV00121
	FDM mounting accessory (diameter 22 mm)	TRV00128

### Ethernet display module

 DB417489.eps	Switchboard front display module FDM128	LV434128
--	---	----------

### ULP wiring accessories

 DB127935.eps	Breaker ULP cord L = 0.35 m	LV434195
	Breaker ULP cord L = 1.3 m	LV434196
	Breaker ULP cord L = 3 m	LV434197
 DB111443.eps	10 stacking connectors for communication interface modules	TRV00217
	2 Modbus line terminators	VW3A8306DRC <sup>(2)</sup>
 DB115823.eps	5 RJ45 connectors female/female	TRV00870
 DB111444.eps	10 ULP line terminators	TRV00880
 DB111445.eps	10 RJ45/RJ45 male cord L = 0.3 m	TRV00803
	10 RJ45/RJ45 male cord L = 0.6 m	TRV00806
	5 RJ45/RJ45 male cord L = 1 m	TRV00810
	5 RJ45/RJ45 male cord L = 2 m	TRV00820
	5 RJ45/RJ45 male cord L = 3 m	TRV00830
	1 RJ45/RJ45 male cord L = 5 m	TRV00850

<sup>(1)</sup> For measurement display with Micrologic A, E, P and H.

<sup>(2)</sup> See Telemecanique catalogue.

# Masterpact NT and NW

To indicate your choice, check the applicable square boxes

and enter the appropriate information in the rectangles

Circuit breaker or switch-disconnector		Qty
Masterpact type	NT <input type="checkbox"/> NW <input type="checkbox"/>	
Rating	A <input type="checkbox"/>	
Sensor rating	A <input type="checkbox"/>	
Circuit breaker	N1, H1, H2, H3, L1 <input type="checkbox"/>	
Special circuit breaker	H2 anticorrosion, H10 (NW) <input type="checkbox"/>	
Special circuit breaker	NW16/32 H1T, NT16 H2T <input type="checkbox"/>	
Switch-disconnector	NA, HA, HF, ES, HA10 (NW) <input type="checkbox"/>	
Number of poles	3 or 4 <input type="checkbox"/>	
Brand	Schneider Electric <input checked="" type="checkbox"/>	
Option: neutral on right side (NW)	<input type="checkbox"/>	
Type of equipment	Fixed <input type="checkbox"/> Drawout with chassis <input type="checkbox"/> Drawout without chassis (moving part only) <input type="checkbox"/> Chassis alone <input type="checkbox"/>	
Earthing switch kit for chassis	<input type="checkbox"/>	
Micrologic control unit		
A - ammeter	2.0 <input type="checkbox"/> 5.0 <input type="checkbox"/> 6.0 <input type="checkbox"/> 7.0 <input type="checkbox"/>	
E - energy	2.0 <input type="checkbox"/> 5.0 <input type="checkbox"/> 6.0 <input type="checkbox"/>	
P - power meter	5.0 <input type="checkbox"/> 6.0 <input type="checkbox"/> 7.0 <input type="checkbox"/>	
H - harmonic meter	5.0 <input type="checkbox"/> 6.0 <input type="checkbox"/> 7.0 <input type="checkbox"/>	
LR - long-time rating plug	Standard 0.4 to 1 Ir <input type="checkbox"/> Low setting 0.4 to 0.8 Ir <input type="checkbox"/> High setting 0.8 to 1 Ir <input type="checkbox"/> LR OFF <input type="checkbox"/>	
AD - external power-supply module	V <input type="checkbox"/>	
BAT - battery module	<input type="checkbox"/>	
TCE - external sensor (CT) for neutral and residual earth-fault protection	<input type="checkbox"/>	
TCE - external sensor (CT) for over sized neutral (3P - Micrologic P / H) and residual earth-fault protection	<input type="checkbox"/>	
TCW - external sensor for SGR protection	<input type="checkbox"/>	
Rectangular sensor	NT (280 x 115 mm) <input type="checkbox"/> NW (470 x 160 mm) <input type="checkbox"/>	
PTE - external voltage connector	<input type="checkbox"/>	
Communication		
COM module		
Device (BCM-ULP)	<input type="checkbox"/> with Ethernet interface <input type="checkbox"/> Cradle management with I/O application module (Chassis) <input type="checkbox"/> <input type="checkbox"/> with Ethernet interface + Gateway <input type="checkbox"/> <input type="checkbox"/> with Modbus interface <input type="checkbox"/>	
Eco COM module		
Device (BCM-ULP)	<input type="checkbox"/> with Ethernet interface <input type="checkbox"/> <input type="checkbox"/> with Ethernet interface + Gateway <input type="checkbox"/> <input type="checkbox"/> with Modbus interface <input type="checkbox"/>	
Front Display Module (FDM121)	<input type="checkbox"/> Mounting accessories <input type="checkbox"/>	
Breaker ULP	L = 0.35 m <input type="checkbox"/> L = 1.3 m <input type="checkbox"/> L = 3 m <input type="checkbox"/>	
Cord	L = 0.35 m <input type="checkbox"/> L = 1.3 m <input type="checkbox"/> L = 3 m <input type="checkbox"/>	
Connection		
Horizontal	Top <input type="checkbox"/> Bottom <input type="checkbox"/>	
Vertical	Top <input type="checkbox"/> Bottom <input type="checkbox"/>	
Front	Top <input type="checkbox"/> Bottom <input type="checkbox"/>	
Vertical-connection adapters	NT - FC fixed, draw. <input type="checkbox"/> NT - FC fixed, draw. <input type="checkbox"/>	
Cable-lug adapters	NT - FC fixed, draw. <input type="checkbox"/>	
Arc chute screen	NT - FC fixed <input type="checkbox"/>	
Interphase barriers	NT, NW fixed, drawout <input type="checkbox"/>	
Spreaders	NT fixed, drawout <input type="checkbox"/>	
Disconnectable front connection adapter	NW fixed <input type="checkbox"/>	
Lugs for 240° or 300° cables	NT fixed, drawout <input type="checkbox"/>	

Indication contacts	
OF - ON/OFF indication contacts	
Standard	4 OF 6 A-240 V AC (10 A-240 V AC and low-level for NW) <input type="checkbox"/>
Alternate	1 OF low-level for NT <input type="checkbox"/> Max. 4 qty <input type="text"/>
Additional	1 block of 4 OF for NW <input type="checkbox"/> Max. 2 qty <input type="text"/>
EF - combined "connected/closed" contacts	
	1 EF 6 A-240 V AC for NW <input type="checkbox"/> Max. 8 qty <input type="text"/>
	1 EF low-level for NW <input type="checkbox"/> Max. 8 qty <input type="text"/>
SDE - "fault-trip" indication contact	
Standard	1 SDE 6 A-240 V AC <input type="checkbox"/>
Additional	1 SDE 6 A-240 V AC <input type="checkbox"/> 1 SDE low level <input type="checkbox"/>
Programmable contacts	
	2 M2C contacts <input type="checkbox"/> 6 M6C contacts <input type="checkbox"/>
Carriage switches	Low level <input type="checkbox"/> 6 A-240 V AC <input type="checkbox"/>
CE - "connected" position	Max. 3 for NW/NT <input type="checkbox"/> qty <input type="text"/>
CD - "disconnected" position	Max. 3 for NW - 2 for NT <input type="checkbox"/> qty <input type="text"/>
CT - "test" position	Max. 3 for NW - 1 for NT <input type="checkbox"/> qty <input type="text"/>
AC - NW actuator for 6 CE - 3 CD - 0 CT additional carriage switches	<input type="checkbox"/> qty <input type="text"/>
Remote operation	
Remote ON/OFF	MCH - gear motor <input type="checkbox"/> V <input type="text"/>
	XF - closing voltage release <input type="checkbox"/> V <input type="text"/>
	MX - opening voltage release <input type="checkbox"/> V <input type="text"/>
	PF - "ready to close" contact <input type="checkbox"/> Low level 6 A-240 V AC <input type="checkbox"/>
	BPFE - electrical closing pushbutton <input type="checkbox"/> V <input type="text"/>
	RES - electrical reset option <input type="checkbox"/> V <input type="text"/>
	RAR - automatic reset option <input type="checkbox"/>
Remote tripping	
	MN - undervoltage release <input type="checkbox"/> V <input type="text"/>
	R - delay unit (non-adjustable) <input type="checkbox"/>
	Rr - adjustable delay unit <input type="checkbox"/>
	2 <sup>nd</sup> MX - shunt release <input type="checkbox"/> V <input type="text"/>
Locking	
VBP - ON/OFF pushbutton locking (by transparent cover + padlocks)	
OFF position locking:	
VCPO - by padlocks	<input type="checkbox"/>
VSPO - by keylocks	Keylock kit (w/o keylock) <input type="checkbox"/> Profalux <input type="checkbox"/> Ronis <input type="checkbox"/>
	1 keylock <input type="checkbox"/> Kirk <input type="checkbox"/> Castell <input type="checkbox"/>
	2 identical keylocks, 1 key <input type="checkbox"/> Profalux <input type="checkbox"/> Ronis <input type="checkbox"/>
	2 keylocks, different keys (NW) <input type="checkbox"/> Profalux <input type="checkbox"/> Ronis <input type="checkbox"/>
Chassis locking in "disconnected" position:	
VSPP - by keylocks	Keylock kit (w/o keylock) <input type="checkbox"/> Profalux <input type="checkbox"/> Ronis <input type="checkbox"/>
	1 keylock <input type="checkbox"/> Kirk <input type="checkbox"/> Castell <input type="checkbox"/>
	2 identical keylocks, 1 key <input type="checkbox"/> Profalux <input type="checkbox"/> Ronis <input type="checkbox"/>
	2 keylocks, different keys <input type="checkbox"/> Profalux <input type="checkbox"/> Ronis <input type="checkbox"/>
	Optional connected/disconnected/test position lock <input type="checkbox"/>
VPEC - door interlock	<input type="checkbox"/> On right-hand side chassis <input type="checkbox"/> <input type="checkbox"/> On left-hand side chassis <input type="checkbox"/>
VPOC - racking interlock	<input type="checkbox"/>
IPA - cable-type door interlock	<input type="checkbox"/>
VDC - mismatch protection	<input type="checkbox"/>
VIVC - shutter position indication and locking for NW	<input type="checkbox"/>
IBPO - racking interlock between crank and OFF pushbutton for NW	<input type="checkbox"/>
DAE - automatic spring discharge before breaker removal for NW	<input type="checkbox"/>
Accessories	
VO - safety shutters on chassis for NT and NW	<input checked="" type="checkbox"/>
CDM - mechanical operation counter NT, NW	<input type="checkbox"/>
CB - auxiliary terminal shield for chassis NT, NW	<input type="checkbox"/>
CC - arc chute cover for fixed NT	<input type="checkbox"/>
CDP - escutcheon NT, NW	<input type="checkbox"/>
CP - transparent cover for escutcheon NT, NW	<input type="checkbox"/>
OP - blanking plate for escutcheon NT, NW	<input type="checkbox"/>
KMT - Grounding kit NW	<input type="checkbox"/>
Brackets for mounting	NW fixed <input type="checkbox"/> On backplates <input type="checkbox"/>
Test kits	Mini test kit <input type="checkbox"/> Portable test kit <input type="checkbox"/>
<i>Micrologic control unit functions:</i>	
2.0 : basic protection (long time + inst.)	
5.0 : selective protection (long time + short time + inst.)	
6.0 : selective + earth-fault protection (long time + short time + inst. + earth-fault)	
7.0 : selective + earth-leakage protection (long time + short time + inst. + earth-leakage)	



Life Is On



**Schneider Electric Industries SAS**

35, rue Joseph Monier  
CS 30323  
92506 Rueil Malmaison Cedex  
France

RCS Nanterre 954 503 439  
Capital social 896 313 776 €  
[www.schneider-electric.com](http://www.schneider-electric.com)

06-2018

© 2018 - Schneider Electric. All Rights Reserved.  
All trademarks are owned by Schneider Electric Industries SAS or its affiliated companies.  
Document reference: LVPED208008EN

This document has been  
printed on recycled paper

